

# CU1

## FAILSAFE TIMER UNIT

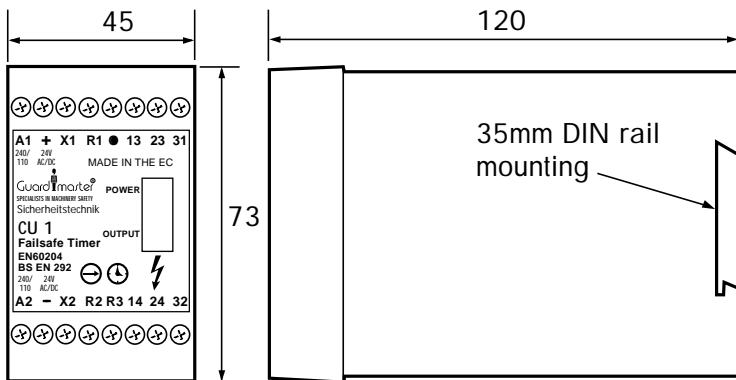
### Technical Specifications

Power supply:	110/230V AC (Switch selectable) 24V AC/DC.
Relay outputs:	2 N/O + 1 N/C. (TUV approved)
Maximum switched current/voltage/load:	4A / 250V AC / 1000VA 2A / 30V DC / 60W
Internal fuse:	500mAT (Replaceable).
Mounting:	35mm DIN-rail.
Enclosure protection:	IP 40 DIN 0470.
Terminal Isolation:	IP 20 DIN 0470.
Ambient temperature:	-10°C to +55°C.
Internal switches:	110/230V AC selector A, B, C, D Timing range selector.
LED indication:	Red = Power On, Red/Green LED: Red = Timing, Green = Output. Remote indication connection terminals provided.
Conformity:	EN 60204, EN 292 pts 1 & 2.

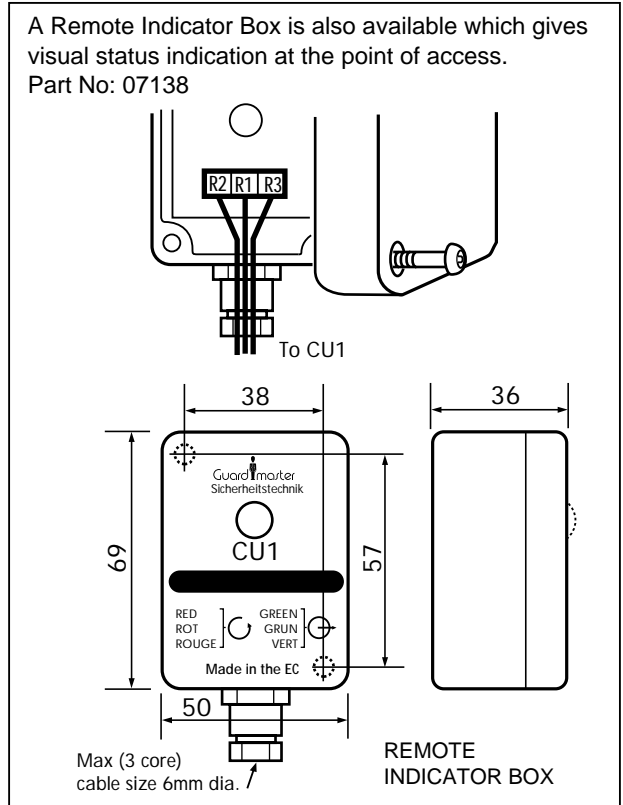
The CU1 Failsafe Timer is designed to integrate in the safety control system of automated machinery. Upon energisation the unit powers up (Red LED) and the timer commences operation. Upon the selected time delay being completed the Signal LED turns Green indicating that the safety outputs are made and the auxiliary output is now "OFF".

The outputs and timer circuit are failsafe and cross monitored making the CU1 ideal for the safe control of safety critical parts - typically guard interlocking switches with guard locking. In this way the machine is given time to stop before access is possible.

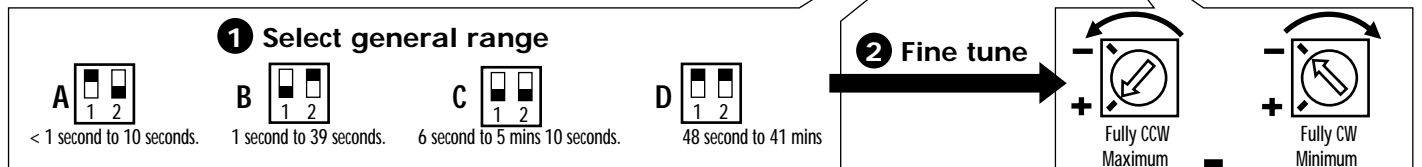
Time delay selection is a simple matter for a qualified person to set the DIP switches and fine tune accordingly. In addition a replaceable plug in 500mAT fuse is accessible behind the removable panel (isolate the power before opening) preventing short circuits or overloads from damaging the unit.



CU1 TIMER UNIT



### TIMER RANGE INTERNAL SWITCH SETTING



### TERMINAL CONNECTIONS

