

CA258

Date: June 15, 2012
 Ref: CA258.DOC
 Revision: 00
 Author: AB

Cable code	CA258
Description	UniOP PLC Port to GE Fanuc CPU 363
Type of Communication	RS-232
Panel Connector	D type 15S
PLC Connector	6 pin modular plug (RJ11)
Notes	

table 1. Cable description

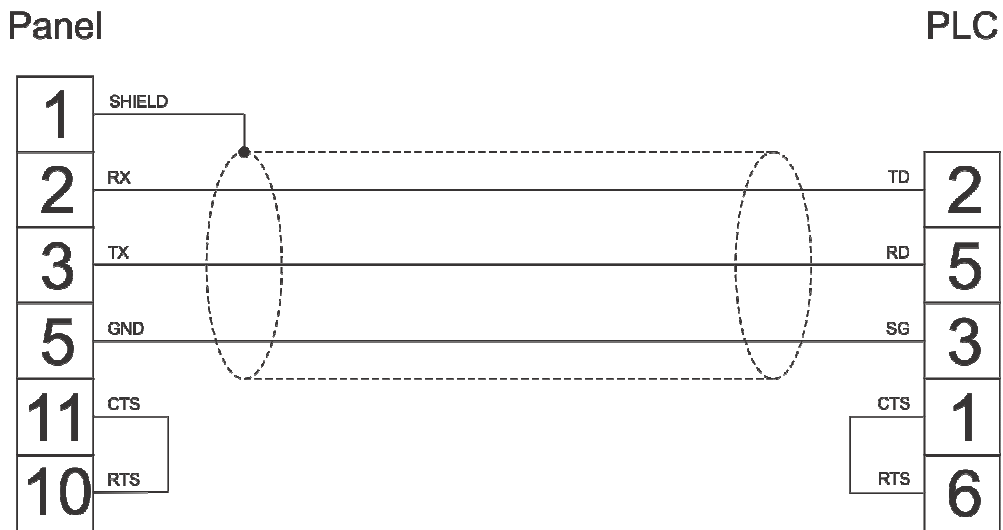


figure 1. Cable diagram

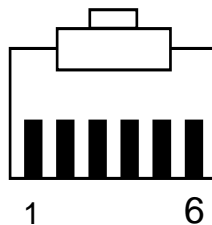


figure 2. PLC Connector End View