

CA258-D9

Date: June 15, 2012
 Ref: CA258-D9.DOC
 Revision: 00
 Author: AB

| | |
|------------------------------|---|
| Cable code | CA258 |
| Description | eTOP300/400/500 serie Serial Port to GE Fanuc CPU 363 |
| Type of Communication | RS-232 |
| Panel Connector | D-sub type 9P |
| PLC Connector | 6 pin modular plug (RJ11) |
| Notes | |

table 1. Cable description

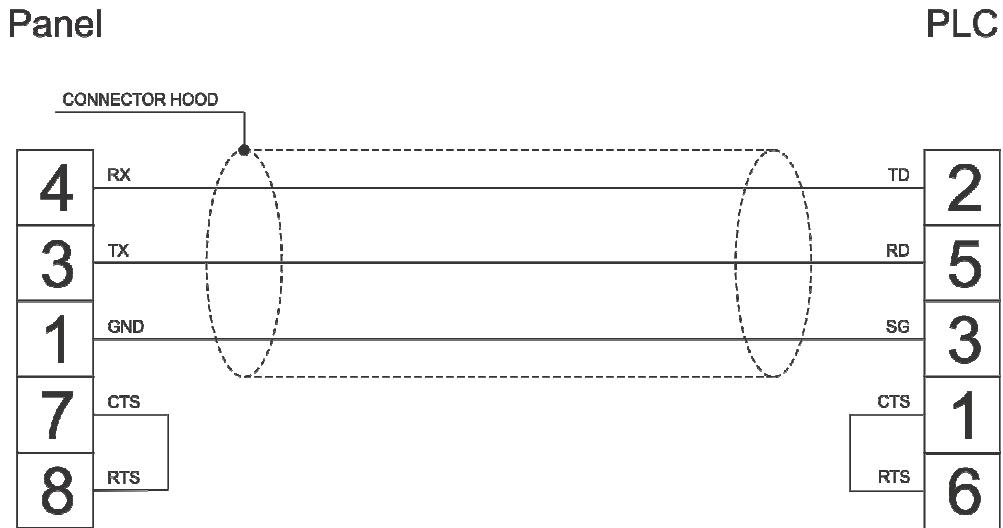


figure 1. Cable diagram

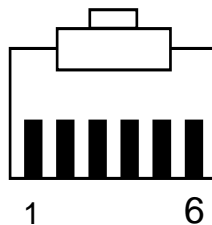


figure 2. PLC Connector End View