

## CA248-D9

Date: October 3, 2013

Ref: CA248-D9.doc

Revision: 00

Author: AB

<b>Cable code</b>	CA248-D9
<b>Description</b>	eTOP300/400/500 serie Serial Port to Generic RS485 device
<b>Type of Communication</b>	RS-485
<b>Panel Connector</b>	D-sub type 9P
<b>PLC Connector</b>	Screw terminals
<b>Notes</b>	Generic cable for RS485 connection. It can be used as reference when the pinout of the PLC is not known

Table 1. Cable description

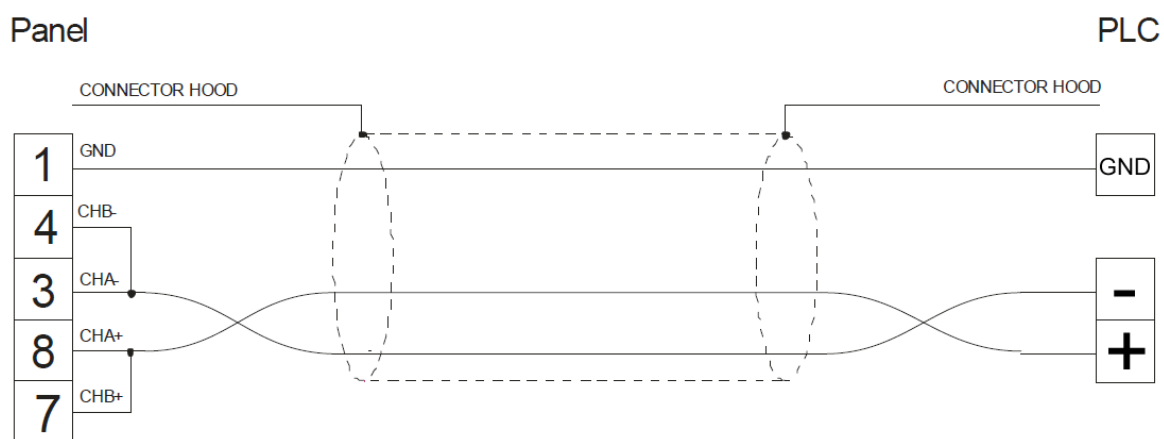


Figure 1. Cable diagram