

CA151

Date: December 4, 1997

Ref: Ca151-0

Revision: 01

Author: AG

Cable code	CA151
Description	UniOP PLC Port to Mitsubishi A Prog. Port
Type of Communication	RS-232/RS-422
Panel Connector	D-sub type 15S
PLC Connector	D-sub type 25P
Notes	This cable includes an RS-232 to RS-422 converter.

table 1. Cable description

Panel

PLC

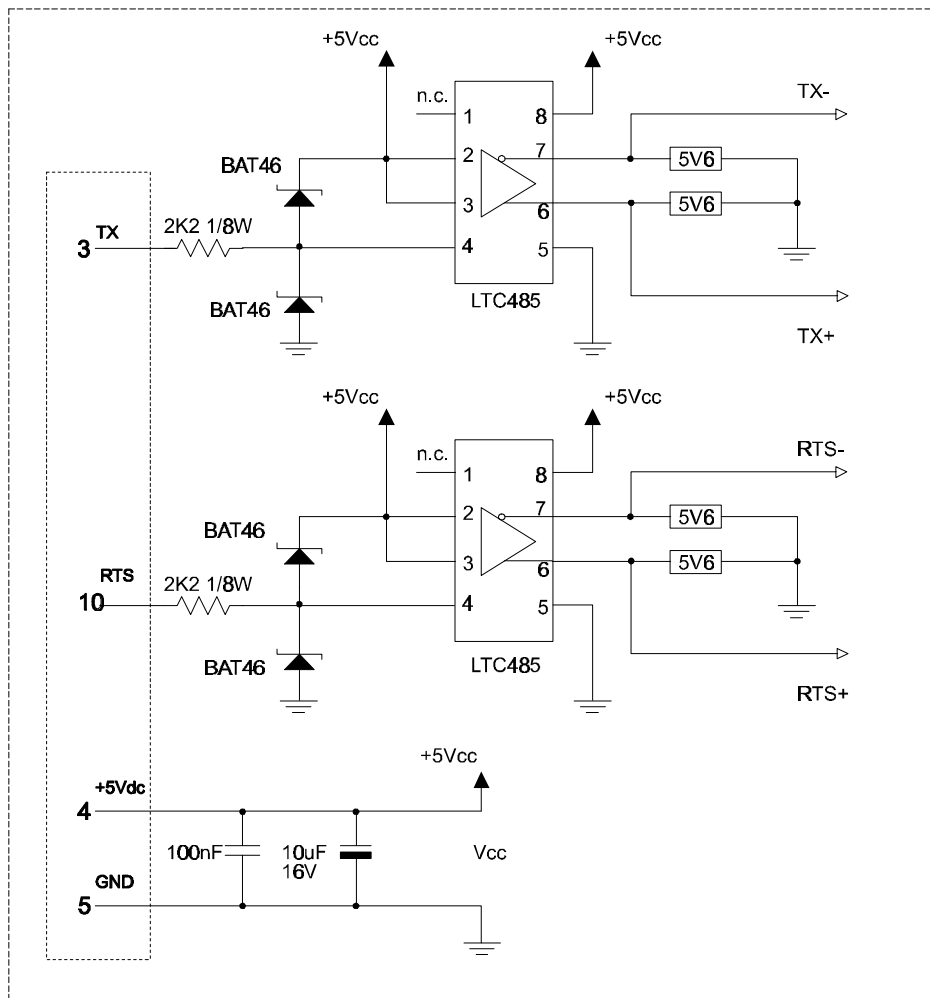
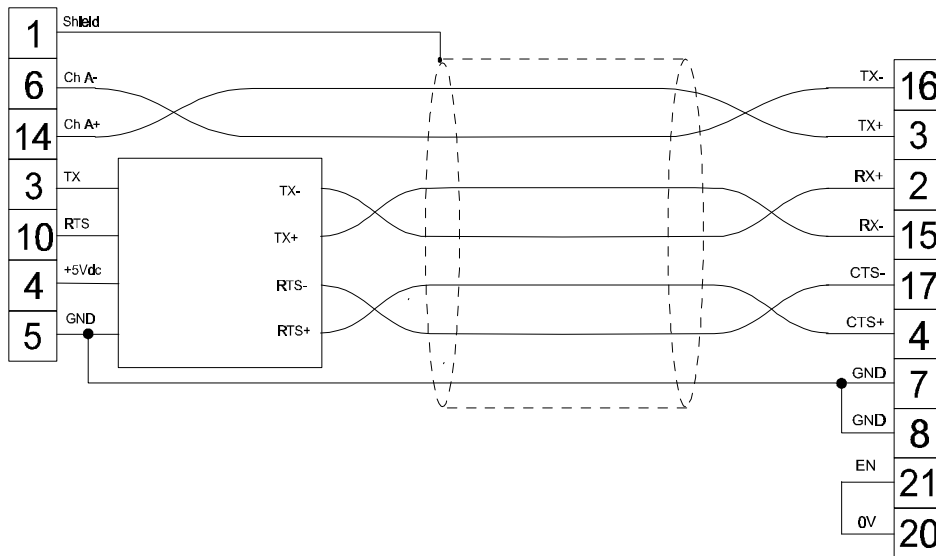


figure 1. Cable diagram