

CA145

Date: October 5, 1998
Ref: CA145-0.DOC
Revision: 00
Author: TT

Cable code	CA145
Description	PLC Port to TI555 CPU 1103 Port 1
Type of Communication	RS-232
Panel Connector	DA15S
PLC Connector	DA9S
Notes	

Table 1. Cable description

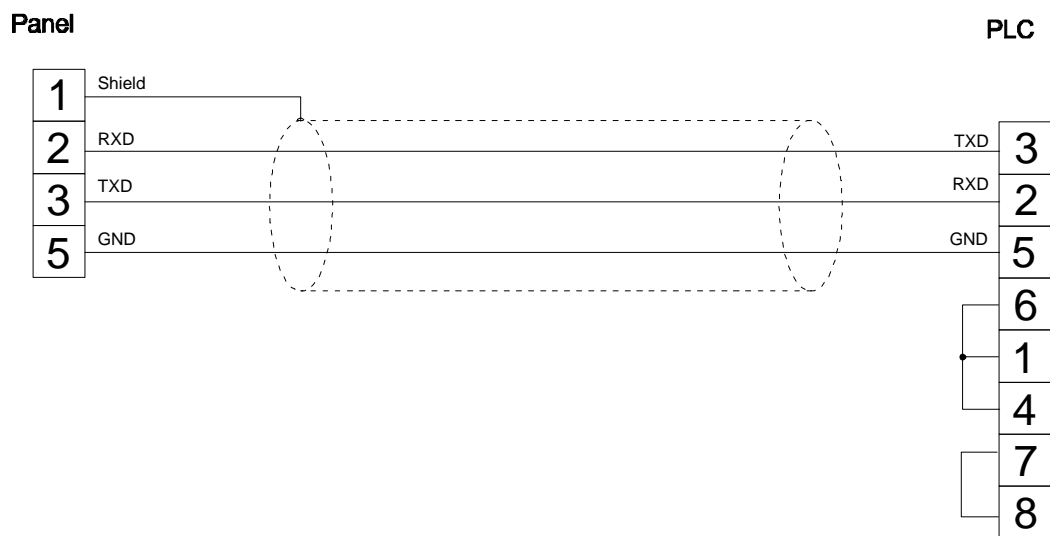


Figure 1. Cable diagram