

CA117

Date: October 22, 1996

Ref: Ca117-0

Revision: 00

Author: AG

Cable code	CA117
Description	UniOP PLC Port to HC-200 Controller - RS-485
Type of Communication	RS-485
Panel Connector	D-sub type 9P
PLC Connector	6 pin terminal block
Notes	

table 1. Cable description

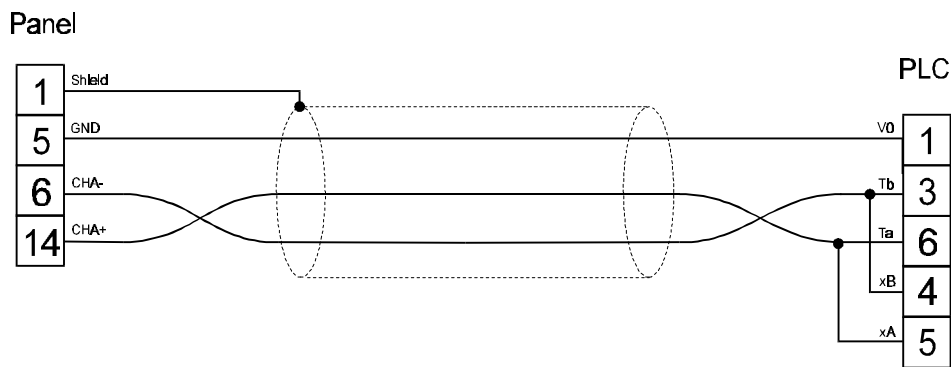


figure 1. Cable diagram

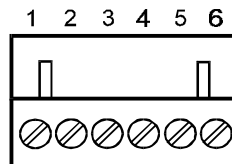


figure 2. Connector view