

CA103

Date: December 4, 1996

Ref: Ca103-1

Revision: 01

Author:

Cable code	CA103
Description	UniOP PLC Port to Telemecanique TSX 47 Prog. Port
Type of Communication	RS-232/Current Loop 20 mA
Panel Connector	D-sub type 15S
PLC Connector	D-sub type 9P
Notes	This cable includes an RS-232 to Current Loop converter. The Current Loop interface is passive.

table 1. Cable description

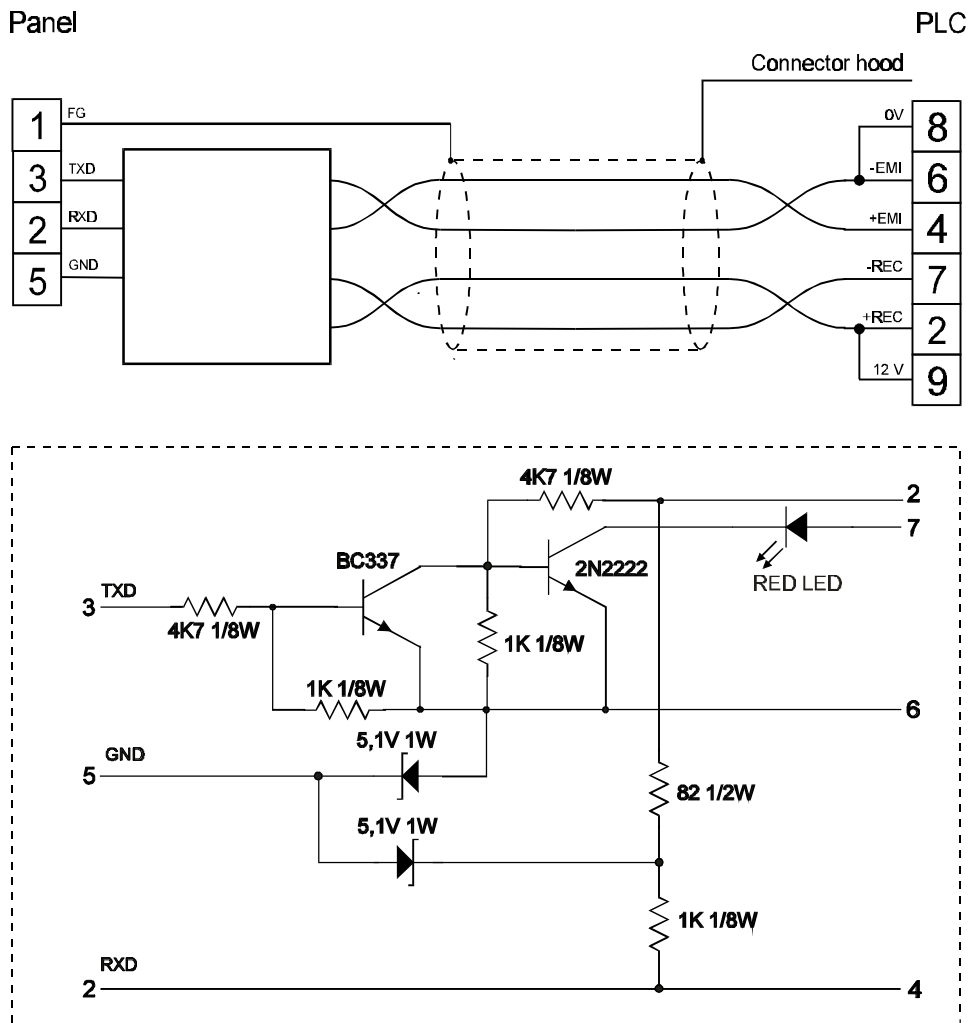


figure 1. Cable diagram