

CA91

Date: October 5, 1998
 Ref: Ca091-0.doc
 Revision: 00
 Author: TT

Cable code	CA91
Description	PLC Port to GE CMM Port 1 or Port 2
Type of Communication	RS-232
Panel Connector	D-sub type 15S
Controller Connector	D-sub type 25P
Notes	

Table 1. Cable description

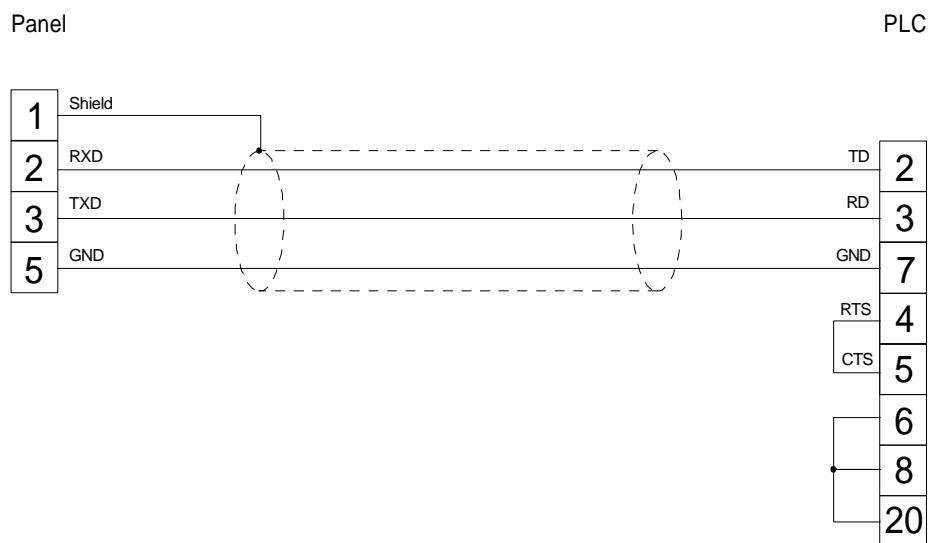


Figure 1. Cable diagram