

CA31

Date: February 10, 1998
 Ref: CA031-0.DOC
 Revision: 00
 Author: SM

Cable code	CA31
Description	PLC Port to Mitsubishi FX Prog. Port
Type of Communication	RS422
Panel Connector	DA15S
PLC Connector	DB25P
Notes	

Table 1. Cable description

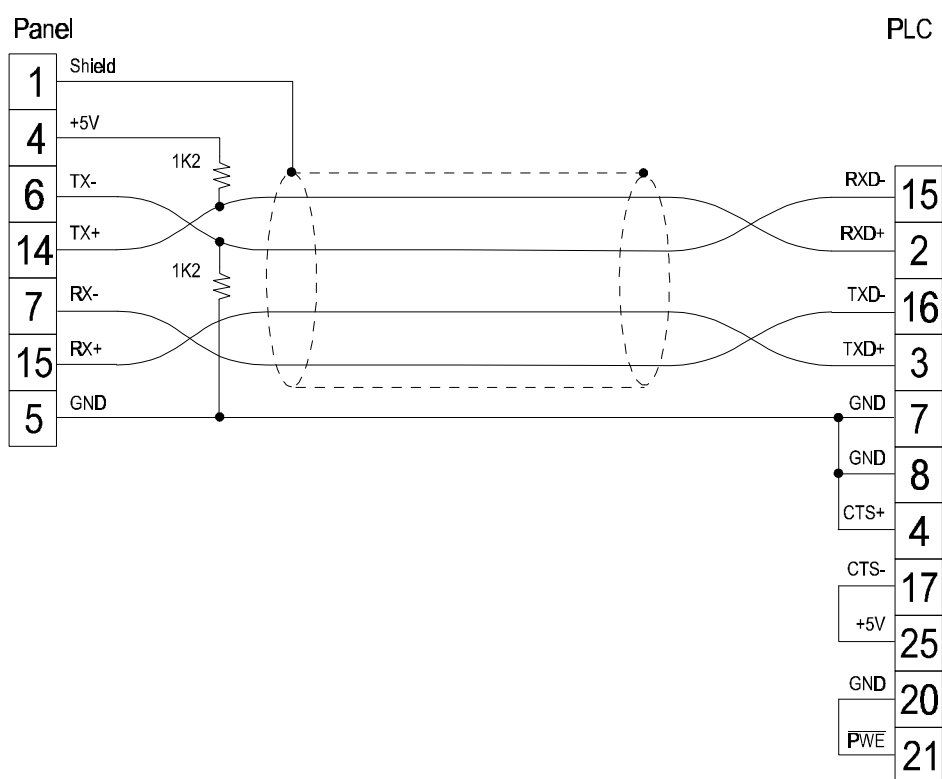


Figure 1. Cable diagram