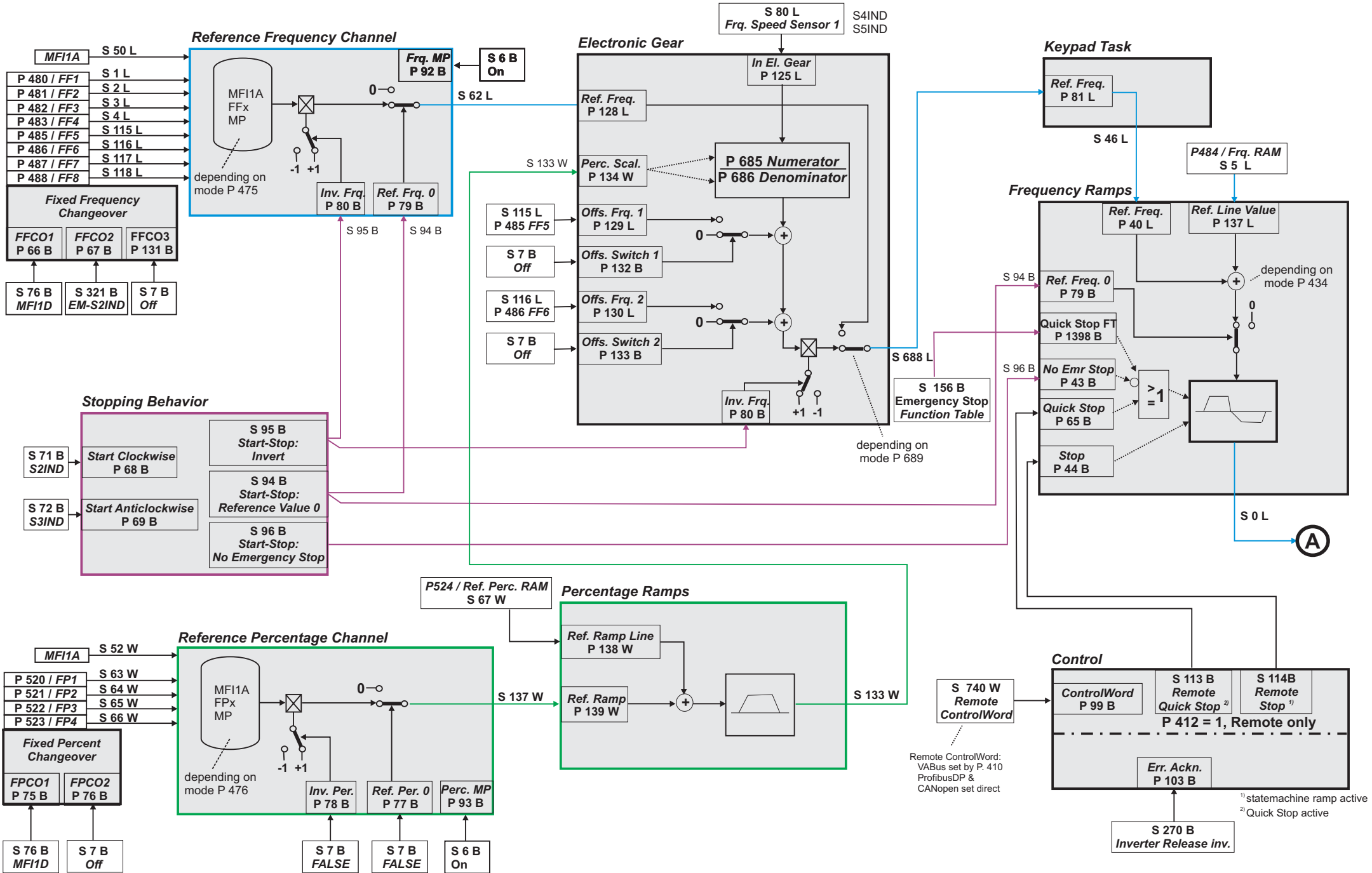
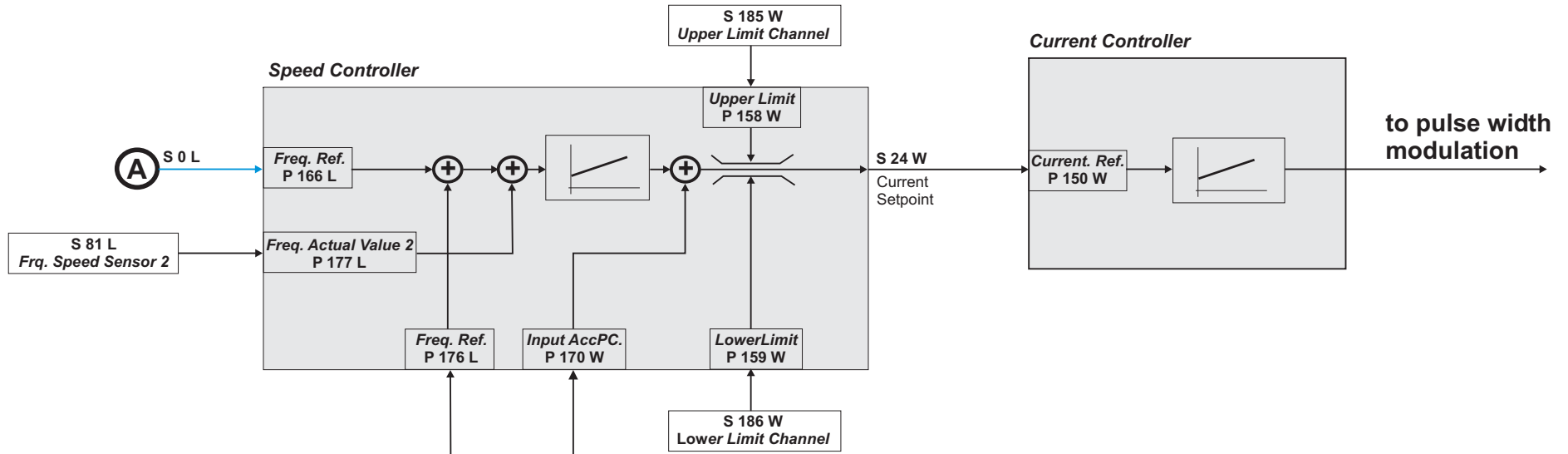


Signal Connections Configuration 515

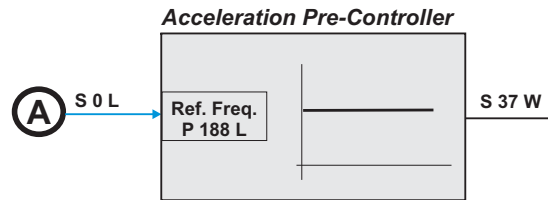
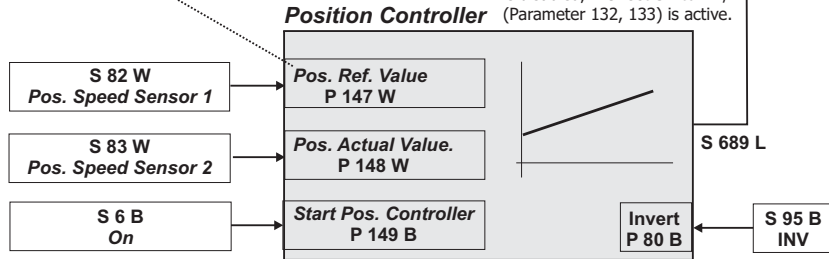


Signal Connections Configuration 515



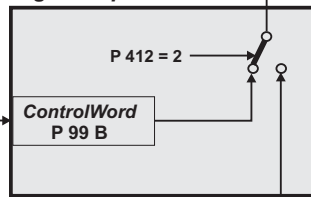
When using Systembus-Source check the Remote-Encoder (P 498, P 499)

Note: The Position Controller is disabled, if Offset-Switch 1 / 2 (Parameter 132, 133) is active.



Inverter Release - S 70 B / Inverter Release invert - S 270 B
 S2IND - S 71 B / S2IND invert - S 271 B
 S3IND - S 72 B / S3IND invert - S 272 B
 S4IND - S 73 B / S4IND invert - S 273 B
 S5IND - S 74 B / S5IND invert - S 274 B
 S6IND - S 75 B / S6IND invert - S 275 B
 MF1D - S 76 B / MF1D invert - S 276 B

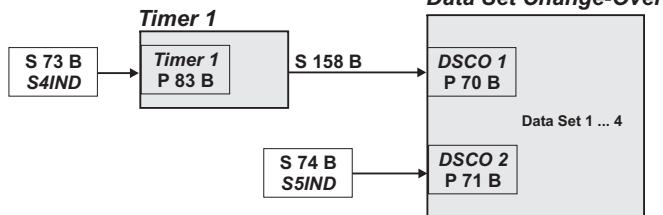
Digital Inputs



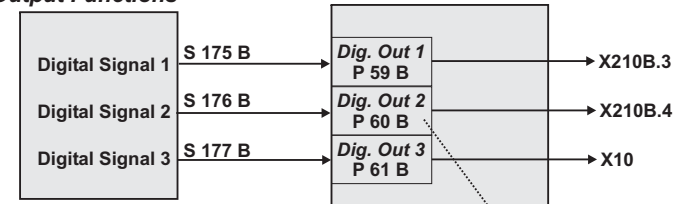
P 412 = 2, Digital Input Emulation only

Remote ControlWord:
 VABus set by P. 410
 ProfibusDP &
 CANopen set direct

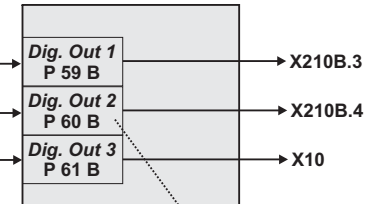
Inverter Release - X210A.3
 S2IND - X210A.4
 S3IND - X210A.5
 S4IND - X210A.6
 S5IND - X210A.7
 S6IND - X210B.1
 MF1D - X210B.6



Digital Output Functions



Digital Outputs



Dig. Out 2 only available if mode MFO1 P 550 = 1 (digital)

