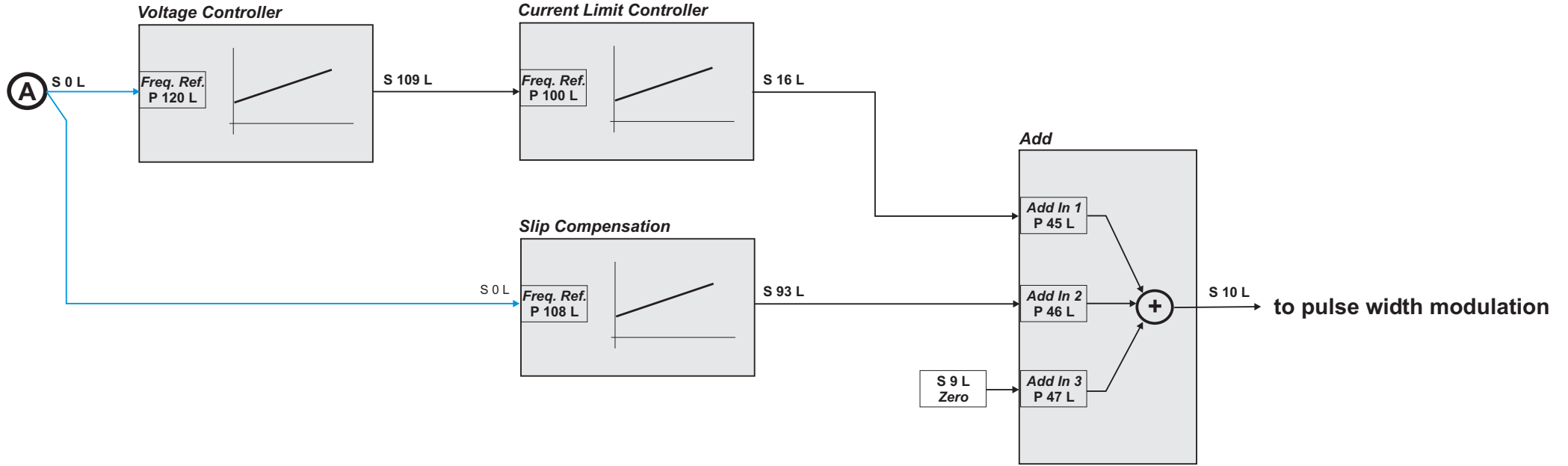
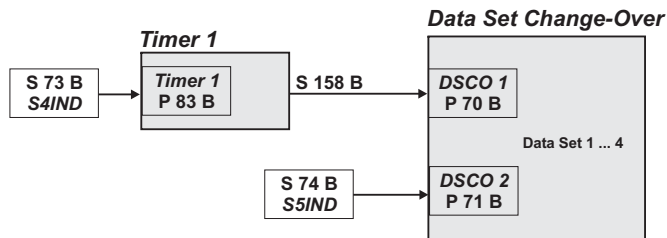
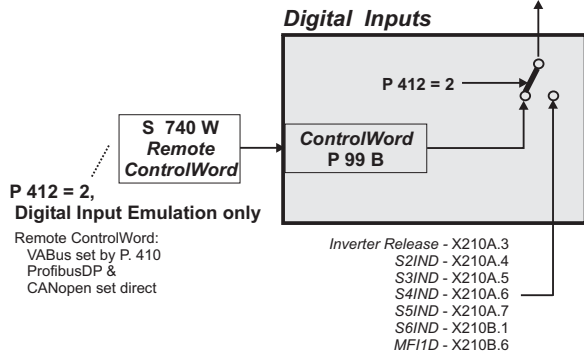


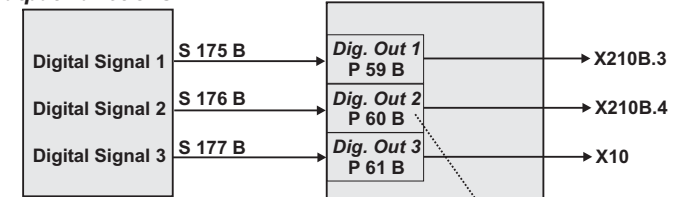
# Signal Connections Configuration 160



Inverter Release - S 70 B / Inverter Release invert - S 270 B  
 S2IND - S 71 B / S2IND invert - S 271 B  
 S3IND - S 72 B / S3IND invert - S 272 B  
 S4IND - S 73 B / S4IND invert - S 273 B  
 S5IND - S 74 B / S5IND invert - S 274 B  
 S6IND - S 75 B / S6IND invert - S 275 B  
 MF11D - S 76 B / MF11D invert - S 276 B



## Digital Output Functions



Dig. Out 2 only available if mode MFO1 P 550 = 1 (digital)

