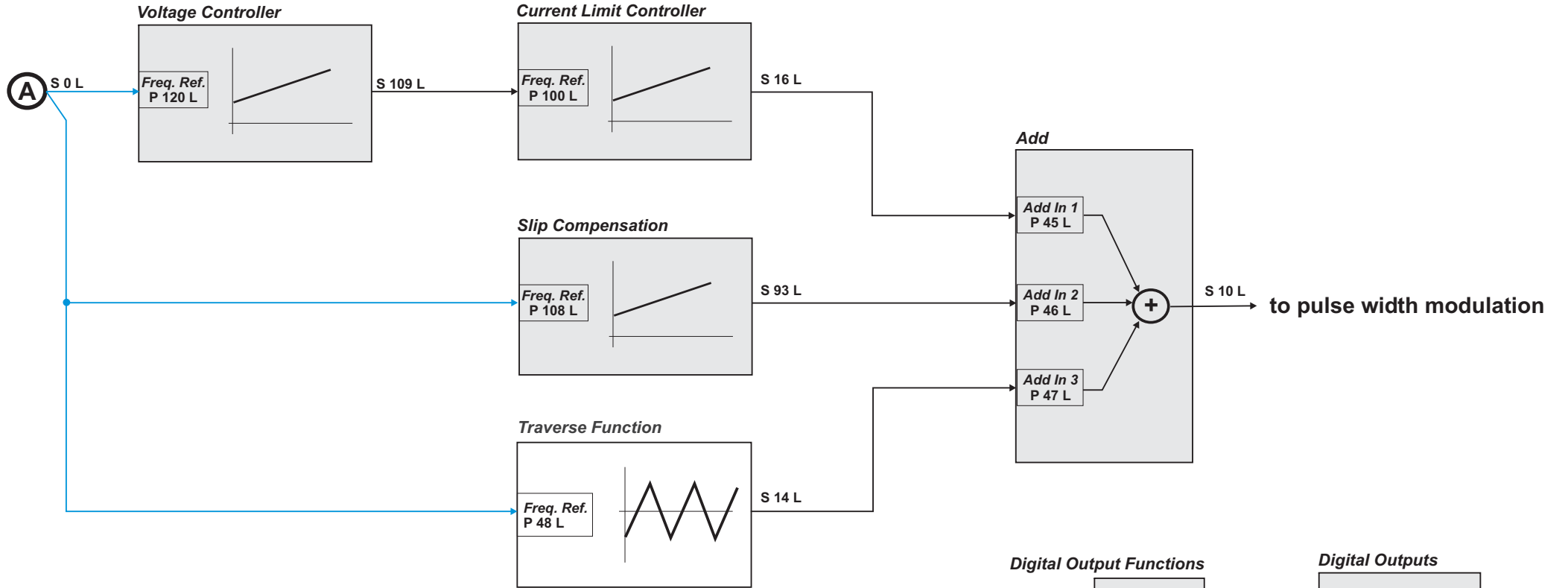
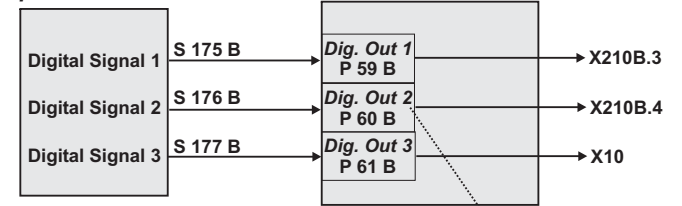


Signal Connections Configuration 110



Digital Output Functions



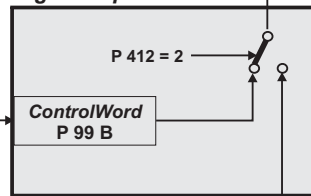
Dig. Out 2 only available if mode MFO1 P 550 = 1 (digital)

Inverter Release - S 70 B / Inverter Release invert - S 270 B
 S2IND - S 71 B / S2IND invert - S 271 B
 S3IND - S 72 B / S3IND invert - S 272 B
 S4IND - S 73 B / S4IND invert - S 273 B
 S5IND - S 74 B / S5IND invert - S 274 B
 S6IND - S 75 B / S6IND invert - S 275 B
 MF11D - S 76 B / MF11D invert - S 276 B

Digital Inputs

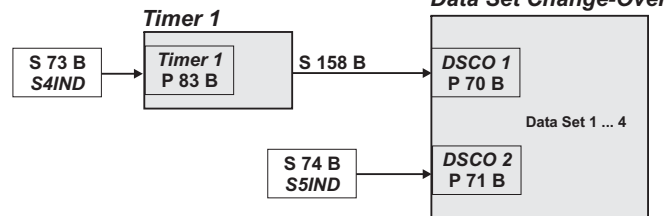
P 412 = 2, Digital Input Emulation only

Remote ControlWord: VABus set by P. 410 ProfibusDP & CANopen set direct



Inverter Release - X210A.3
 S2IND - X210A.4
 S3IND - X210A.5
 S4IND - X210A.6
 S5IND - X210A.7
 S6IND - X210B.1
 MF11D - X210B.6

Timer 1



Timer 2

