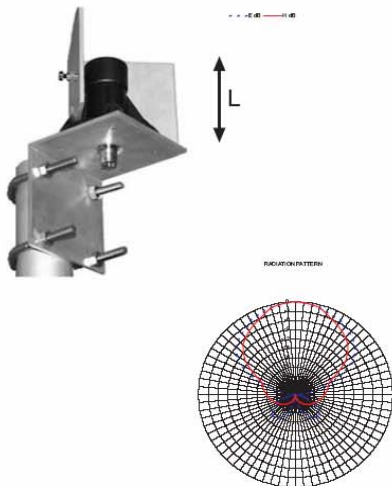
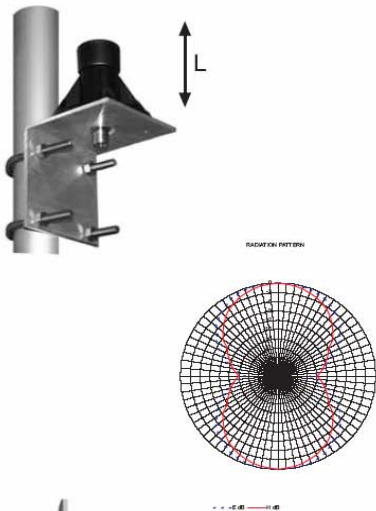
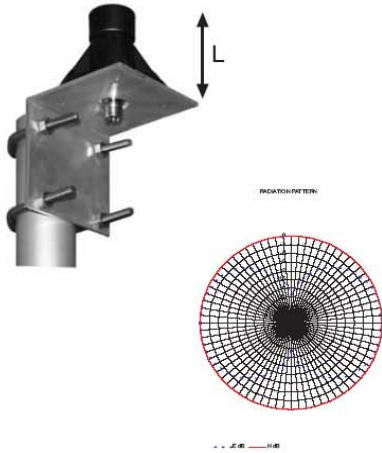




Omni2-6-12dBi2.4-Mat



FREQUENCY INDEPENDENT DATA

Description: multimode monopole with optional corner reflector
 Frequency: 2250-2350 MHz, 2400-2500 MHz
 Impedance: 50 ohm
 Gain: 2 dBi, 6 dBi, 12 dBi
 Polarization: vertical
 Connector: N-female/TNC-female
 VSWR: < 1.5
 Radome: UV-resistant PP, black, PU foam filling
 Radiator: copper
 Attachment: Ø 35-60 mm, aluminium alloy V-bolts and self locking nuts stainless steel
 Lightning protection: DC-grounded
 Temperature: -40° - +80°C
 IP: 67

