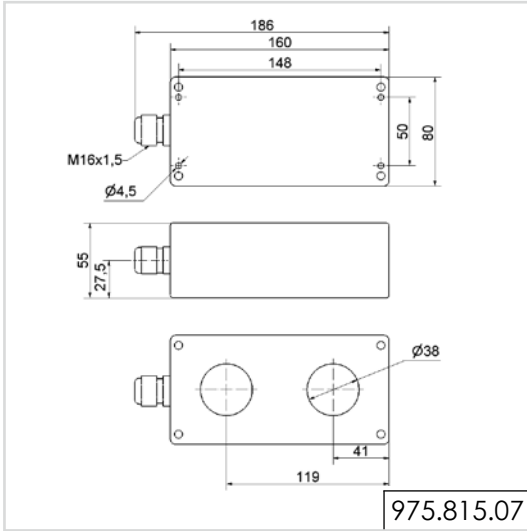
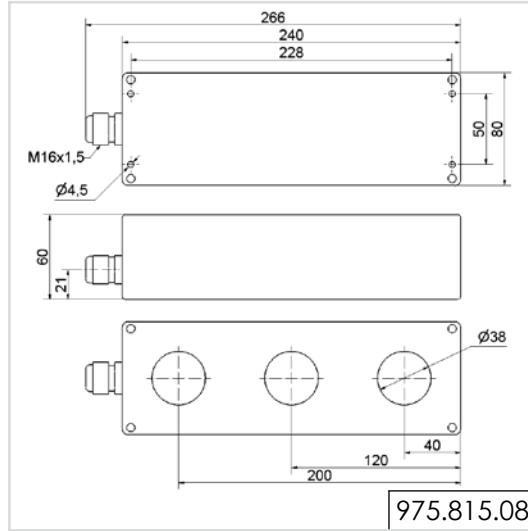


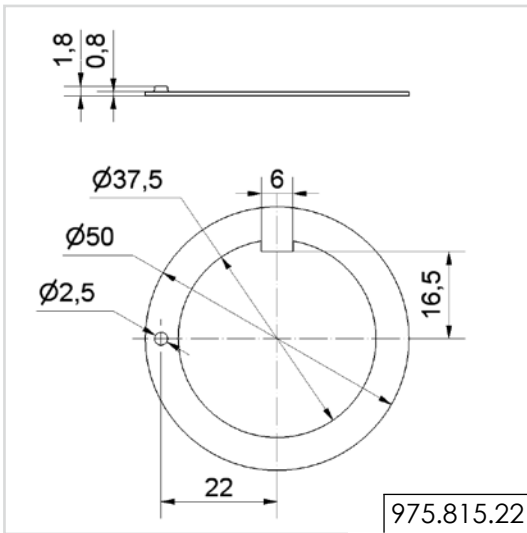
Schémas



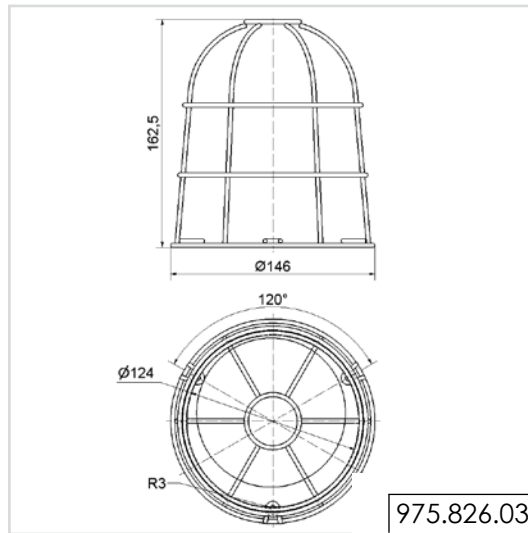
975.815.07



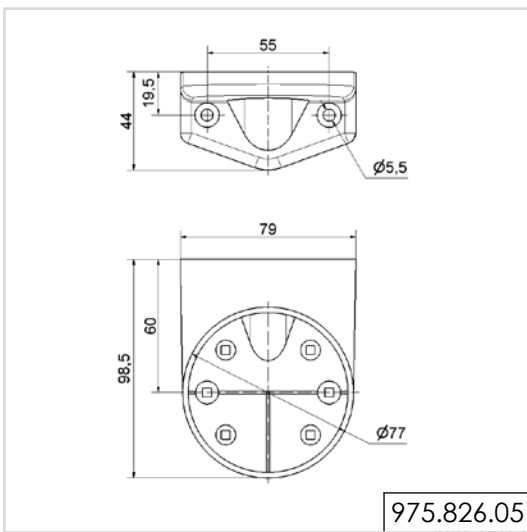
975.815.08



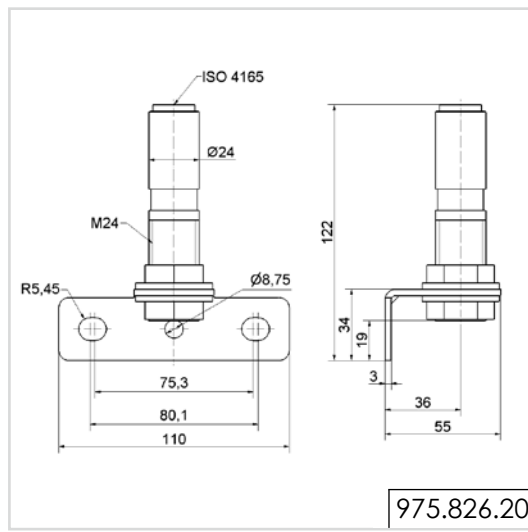
975.815.22



975.826.03



975.826.05



975.826.20