

Model 725 Heavy Duty (Formerly 730 & 735 Series)



Features

- Standard Size 25 Package 63.50mm Diameter
- Up to 30,000 PPR
- Servo and Flange Mounting
- IP65 Sealing Available

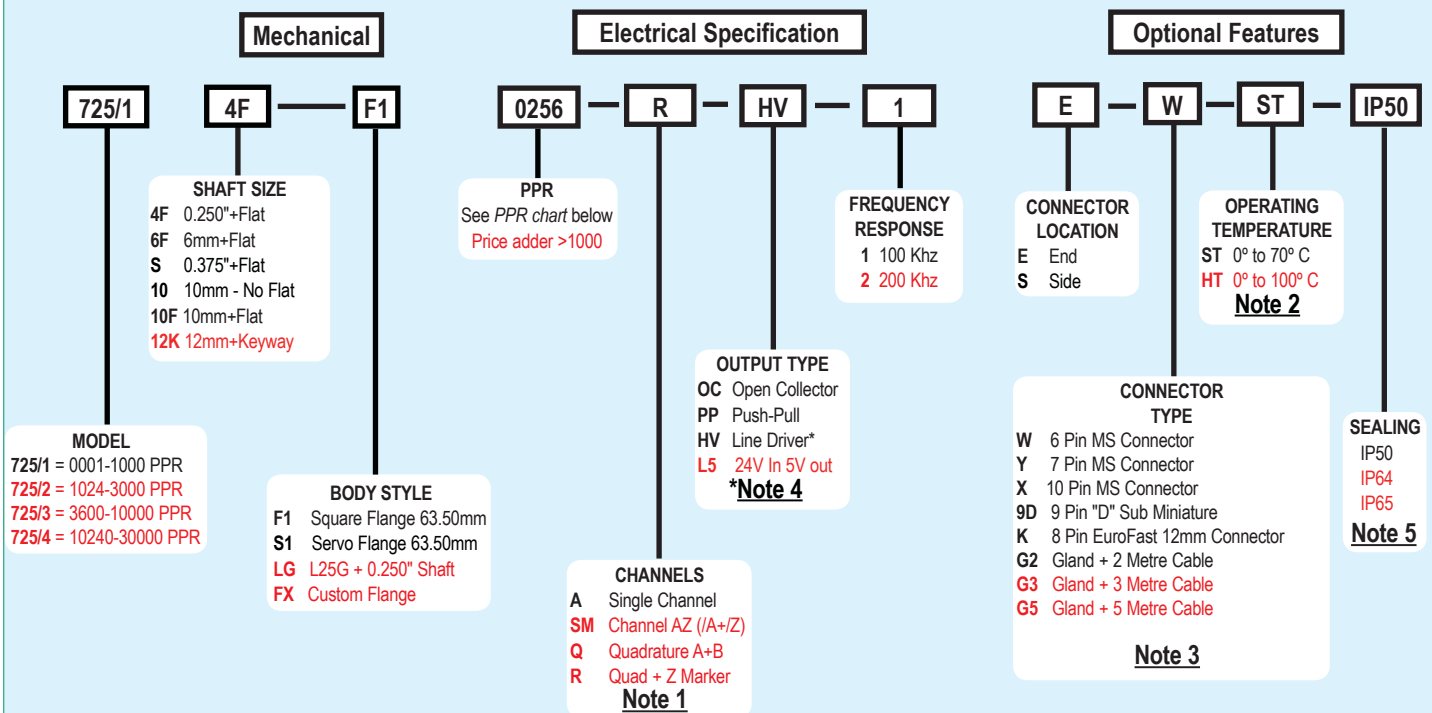
Model 725, (Formerly 730 & 735 Series) is specifically designed for the challenges of an industrial environment. But don't let its tough, industrial package fool you; it still has the performance to reach resolutions up to 30,000 pulses per revolution. The Model 725 is available with both flange and servo mounting options. The rugged housing isolates the internal electronics from the shock and stress of the outer environment.

Common Applications

Motion Control Feedback, Conveyors, Elevator Controls, Machine Control, Food Processing, Process Control, Robotics, Material Handling, Textile Machines

Model 725 Ordering Guide

Red type indicates price adder options. Not all configuration combinations may be available. Contact Customer Service for details.



Model 725 PPR Options

0010*	0020	0025*	0030*	0040*	0060	0100	0120	0125
0128*	0144*	0150*	0160*	0200	0240*	0250	0254*	0256*
0300	0333*	0360	0400	0500	0512	0600	0625*	0635
0720	0800	0900*	1000	1024	1200 ^a	1250 ^a	1270 ^a	1440
1500	1800	2000	2048	2400 ^a	2500	2540 ^a	2880 ^a	3000 ^a
3600 ^a	4000 ^a	4096 ^a	5000 ^a	6000 ^a	7200 ^a	7500 ^a	9000 ^a	10,000 ^a
10,240 ^a	12,500 ^a	14,400 ^a	15,000 ^a	18,000 ^a	20,000 ^a	20,480 ^a	25,000 ^a	30,000 ^a

* Contact Customer Service for High Temperature Option.

^a High Temperature Option (H) limited to 85° C maximum for these PPR options.

New PPR values are periodically added to those listed. Contact Customer Service to determine all currently available PPR values. Special disk resolutions are available upon request.

A one-time NRE (Non Recurring Engineering) fee may apply.

For specification assistance call Customer Service at +44 (0)161 705 4317

NOTES:

- 1 Contact Customer Service for index gating options.
- 2 24 VCC max for high temperature option.
- 3 For Non-Standard Cable Lengths Contact the sales office.
- 4 Marker not available with 6-pin or 7-pin MS connector & HV Output.
- 5 Increased starting torque with IP64 and IP65 Options.

Model 725 Heavy Duty (Formerly 730 & 735 Series)

Model 725 Specifications

Electrical

Input Voltage.....4.75 to 24 VCC max for temperatures up to 70° C
 Input Current.....100 mA max with no output load
 Input Ripple.....100 mV peak-to-peak at 0 to 100 kHz
 Output Format.....Incremental- Two square waves in quadrature with channel A leading B for clockwise shaft rotation, as viewed from the encoder mounting face. See *Waveform Diagrams* below.
 Output Types.....Open Collector- 50 mA max per channel
 Push-Pull- 20 mA max per channel
 Line Driver- 20 mA max per channel (Meets RS 422 at 5 VCC supply)
 Index.....Occurs once per revolution. The index for units >3000 PPR is 90° gated to Outputs A and B. See *Waveform Diagrams* below.
 Freq Response.....Up to 200 KHz
 Noise Immunity.....Tested to BS EN61000-4-2; IEC801-3; BS EN61000-4-4; DENV 50141; DENV 50204; BS EN55022 (with European compliance option); BS EN61000-6-2; BS EN50081-2
 Symmetry.....1 to 6000 PPR: 180° (±18°) electrical at 100 kHz output
 6001 to 20,480 PPR: 180° (±36°) electrical
 Quad Phasing.....1 to 6000 PPR: 90° (±22.5°) electrical at 100 kHz output
 6001 to 20,480 PPR: 90° (±36°) electrical
 Min Edge Sep.....1 to 6000 PPR: 67.5° electrical at 100 kHz output
 6001 to 20,480 PPR: 54° electrical
 >20,480 PPR: 50° electrical
 Rise Time.....Less than 1 microsecond
 Accuracy.....Instrument and Quadrature Error: For 200 to 1999 PPR, 0.017° mechanical (1.0 arc minutes) from one cycle to any other cycle. For 2000 to 3000 PPR, 0.01° mechanical (0.6 arc minutes) from one cycle to any other cycle. Interpolation error (units > 3000 PPR only) within 0.005° mechanical. (Total Optical Encoder Error = Instrument + Quadrature + Interpolation)

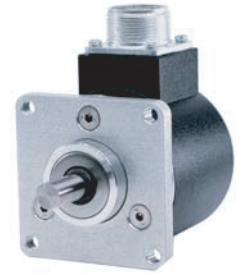
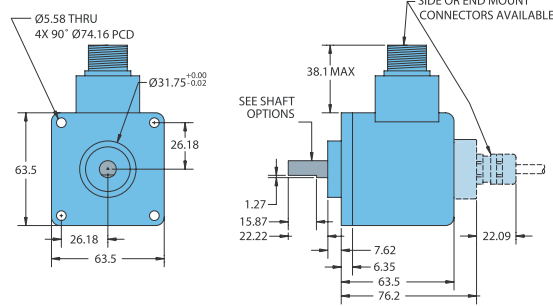
Mechanical

Max Shaft Speed.....6000 RPM. Higher shaft speeds may be achievable, contact Customer Service.
 Shaft Size.....See order code
 Shaft Material.....303 stainless steel
 Shaft Rotation.....Bi-directional
 Radial Shaft Load.....16kg max (standard housing)
 Axial Shaft Load.....18 kg max (standard housing)
 Starting Torque.....7.0615 x 10⁻³ Nm typical with IP64 seal or no seal
 2.118 x 10⁻² Nm typical with IP65 shaft seal
 Max Acceleration.....1 x 10⁵ rad/sec²
 Electrical Conn.....6-, 7-, or 10-pin MS Style, 8-pin M12 (12 mm), 9-pin D-subminiature, or gland with 2M of cable (foil and braid shield, 24 AWG conductors)
 Housing.....Black non-corrosive finish
 Bearings.....Precision ABEC ball bearings
 Mounting.....Flange, servo
 Weight.....570gms typical

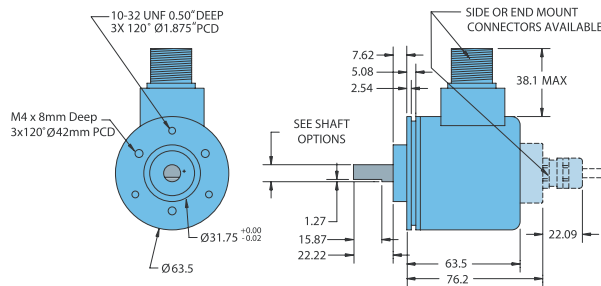
Environmental

Operating Temp.....0° to 70° C for standard models
 0° to 100° C for high temperature option (0° to 85° C for certain resolutions, see PPR Options.)
 Storage Temp.....-25° to +85° C
 Humidity.....95% RH non-condensing
 Vibration.....725: 10 g @ 58 to 500 Hz
 Shock.....725: 50 g @ 11 ms duration
 Sealing.....IP50 standard, IP64 and IP65 optional

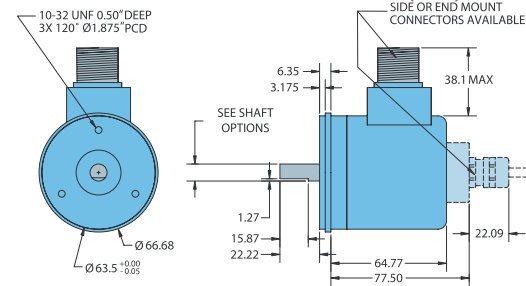
Model 725 Flange Mount (F1)



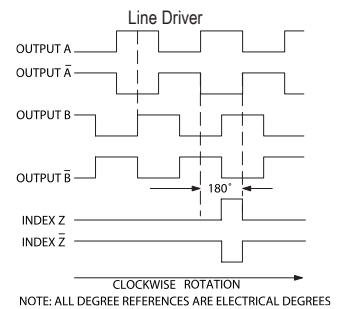
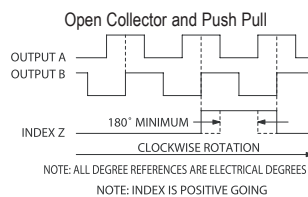
Model 725 2.5" Servo Mount (S1)



Model 725 2.62" Servo Mount (LG)



Waveform Diagrams



Wiring Table

Function	Gland Cable Wire Color	8-pin M12	10-pin MS	7-pin MS HV, L5	7-pin MS PP, OC	6-pin MS PP, OC	6-pin MS SM (HV) Output	9-pin D-sub
Com	Black	7	F	F	F	F	F	9
+VDC	White	2	D	D	D	D	D	1
A	Brown	1	A	A	A	A	A	2
A'	Yellow	3	H	C	---	---	C	3
B	Red	4	B	B	B	B	---	4
B'	Green	5	I	E	---	---	---	5
Z	Orange	6	C	---	C	C	B	6
Z'	Blue	8	J	---	---	---	E	7
Case	---	---	G	G	G	---	---	8
Shield	Screen	---	---	---	---	---	---	---

CAUTION - Always check wiring colour code against Encoder Label due to changes in specification since September 2006