

APM Analogue Effect Digital Panel Meters



White



Green



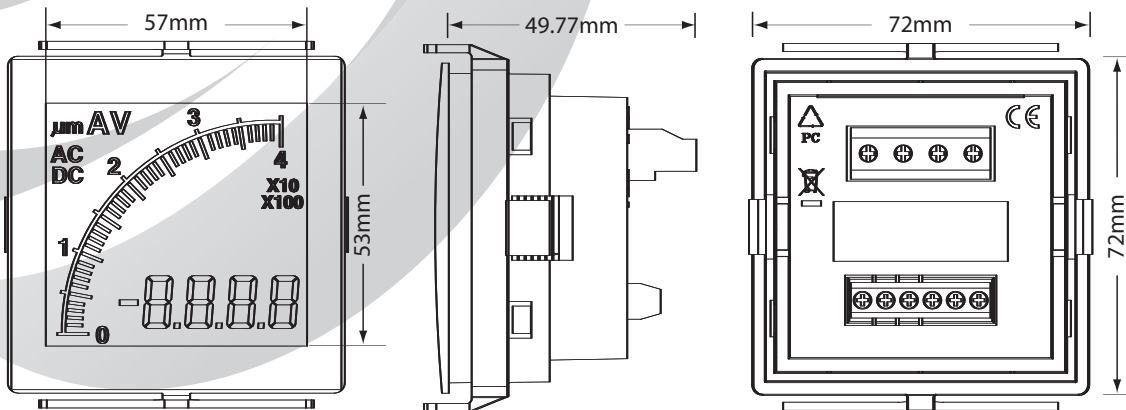
Negative Red

Description

The APM Analogue Effect Digital Panel Meters from Trumeter are both unique and flexible, with a wide range of back light colour options available and a custom curved 40 segment analogue display making it as easy to read as any analogue moving coil or moving iron instrument with the added precision of a 3 3/4 digit display making precise measurement simple and reliable

Features

- Digital and analogue readout for precise reading.
- Linear scale even on the AC versions. AC analogue meters do not have a linear scale.
- Same panel cutout as the analogue meters. Will directly replace the analogue type meter.
- Screw terminals for easy connection of wires. Analogue meters have clamps or threaded bolts which are more difficult to connect to.
- Fully insulated connection terminals. Analogue connections are not usually insulated.
- The meters are fully readable even in the dark (backlit version). It's difficult to read analogue meters in the dark.
- Single easy fit ratchet style fixing clip. 72 size analogue meters usually have 2 screw clamps which are awkward to fit in tight spaces.
- Available in positive mode or negative mode LCD style.
- Available in various colours. Analogue only available in white and sometimes black.
- More robust against vibrations. There is no pointer to damage.
- Auto zero. The analogue meters have to be manually adjusted to zero.
- IP65 Sealed smooth front face for easy cleaning. Analogue units have a protruding bezel and an adjustment screw which can trap dirt.



APM Analogue Effect Digital Panel Meters

The APM range consists of AC Voltmeter & Ammeter, and DC Voltmeter & Ammeter. Ammeters are direct measurement up to 40A. All of these models are available in Green (TG), White (TW) & Negative Red (NTR):

- APMDCV72 - DC Voltmeter 72x72mm
- APMDCA72 - DC Ammeter 72x72mm
- APMACV72 - AC Voltmeter 72x72mm
- APMACA72 - AC Ammeter 72x72mm

APMDCV72

- Powered from measured voltage between 6-300VDC.
- 4 digit display and curved bargraph display.
- Reading, DCV accuracy +/- 2%. Measures to 2 decimal places.
- DC Volts: APMDCV72
- Measured VOLTAGE input from 6-300VDC. A minimum voltage of 6VDC is required.
- Externally powered optional backlight in White, Green and Red. Separate 12 or 24VDC power required.
- Measurement connection using a 4 way 7.5mm pitch screw terminal block.

Specifications

Supply Voltage	6-300VDC
Display	3 ³ / ₄ digit LCD, 12mm characters 40 segment curved display
Environ Protection	IP 65 front panel only
Display response time	15mSec
Supply current	3mA typical
Sample rate	3 per second
Measuring Range	6-300VDC
Backlight current	80mA max red, white 120mA max green
Accuracy	Typical 2%
Operating Temp.	-10°C to +50°C
Storage Temp.	-20°C to +70°C.

APMACV72

- Powered from measured voltage between 12-440VAC.
- 4 digit display and curved bargraph display.
- Reading, ACV accuracy +/- 2%. Measures to 2 decimal places.
- AC Volts: APMACV72
- Measured VOLTAGE input from 12-440VAC. A minimum voltage of 12VAC is required.
- Externally powered optional backlight in White, Green and Red. Separate 12 or 24VDC power required.
- Measurement connection using a 4 way 7.5mm pitch screw terminal block.

Specifications

Supply Voltage	12-440VAC RMS
Display	3 ³ / ₄ digit LCD, 12mm characters 40 segment curved display
Environ Protection	IP 65 front panel only
Display response time	15mSec
Supply current	3mA typical
Sample rate	3 per second
Measuring Range	12-440VAC
Backlight current	80mA max red, white 120mA max green
Accuracy	Typical 2%
Operating Temp.	-10°C to +50°C
Storage Temp.	-20°C to +70°C.
AC Measurement	True RMS
Op. Freq. Range	40 to 650Hz ±2% 650 to 2700Hz ±5%

APMDCA72

- Powered from measured current with voltage of 6-300VDC.
- 4 digit display and curved bargraph display.
- Reading, DCA accuracy +/- 2%. Measures to 2 decimal places.
- DC Amps: APMDCA72
- Measured CURRENT input from 0.1A-40.0A. A minimum voltage of 6VDC is required.
- Externally powered optional backlight in White, Green and Red. Separate 12 or 24VDC power required.
- Measurement connection using a 3 way 10.1mm pitch screw terminal block.

Specifications

Supply Voltage	6-300VDC
Display	3 ³ / ₄ digit LCD, 12mm characters 40 segment curved display
Environ Protection	IP 65 front panel only
Display response time	15mSec
Supply current	3mA typical
Sample rate	3 per second
Measuring Range	0.1A-40.0A (APMDCA72)
Backlight current	80mA max red, white 120mA max green
Accuracy	Typical 2%
Operating Temp.	-10°C to +50°C
Storage Temp.	-20°C to +70°C

APMACA72

- Powered from measured current with voltage of 12-440VAC.
- 4 digit display and curved bargraph display.
- Reading, ACA accuracy +/- 2%. Measures to 2 decimal places.
- AC Amps: APMACA72
- Measured CURRENT input from 0.1A-40.0A. A minimum voltage of 12VAC is required.
- Externally powered optional backlight in White, Green and Red. Separate 12 or 24VDC power required.
- Measurement connection using a 3 way 10.1mm pitch screw terminal block.

Specifications

Supply Voltage	12-440VAC RMS
Display	3 ³ / ₄ digit LCD, 12mm characters 40 segment curved display
Environ Protection	IP 65 front panel only
Display response time	15mSec
Supply current	3mA typical
Sample rate	3 per second
Measuring Range	0.1A-40.0A (APMACA72)
Backlight current	80mA max red, white 120mA max green
Accuracy	Typical 2%
Operating Temp.	-10°C to +50°C
Storage Temp.	-20°C to +70°C.
Op. Freq. Range	40 to 650Hz ±2% 650 to 2700Hz ±5%