



**FLAT BASE**

**WALL BASE**

**POLE BASE**

**EXTENDED BASE**

**TUBE BASE**

Shown with 40cm SS Extension Tube

**ELYPS MB | PART NO**

	■	■	□	
<b>ELYPS MB</b> FLAT BASE	32357	32358	32359	
<b>ELYPS MB</b> WALL BASE	32367	32368	32369	
<b>ELYPS MB</b> POLE BASE	32387	32388	32389	
<b>ELYPS MB</b> EXTENDED BASE	32377	32378	32379	
<b>ELYPS MB</b> TUBE BASE	32397	32398	32399	
<b>ELYPS MB</b> EXTENSION	SS L100 32407	SS L200 32408	SS L300 32409	SS L400 32410

## ELYPS MB MOUNTING BASE

### FLAT BASE

Designed for flat surface mounting when cabling occurs from the bottom of the device and where a compact design is required.

### WALL BASE

Designed for lateral/wall mounting.

### POLE BASE

Designed for installation on a 1/2" NPT threaded pole.

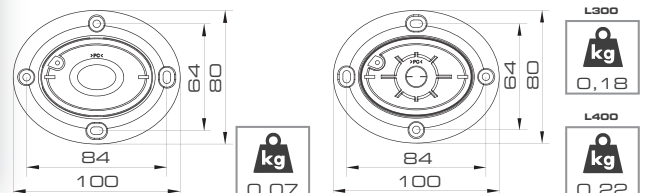
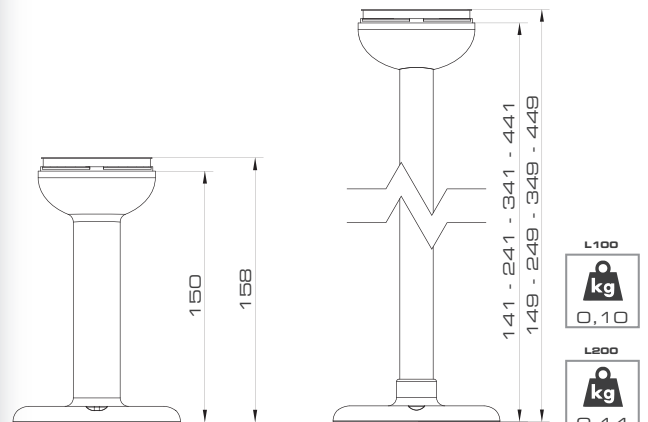
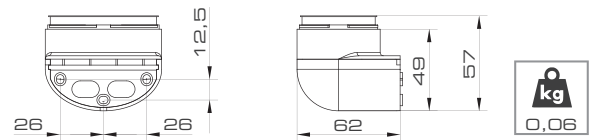
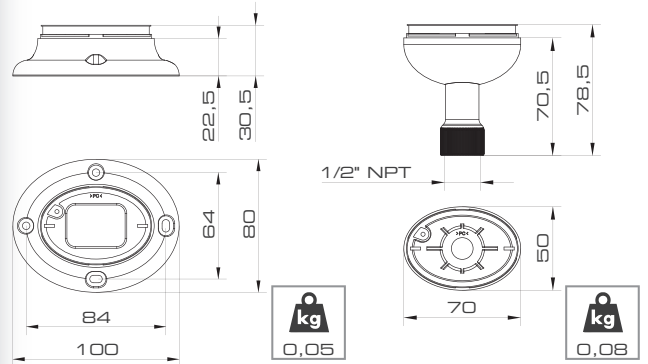
### EXTENDED BASE

Designed for flat surface mounting. Stacklight position lifted by 10cm.

### TUBE BASE

Designed for the use in conjunction with a Stainless Steel extension tube. Tube lengths available: 10, 20, 30 and 40cm. Custom lengths available on request.

## DRAWINGS, DIMENSIONS AND WEIGHTS

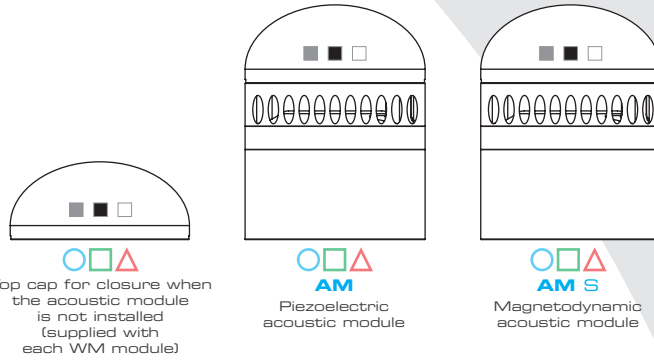


# ELYPS

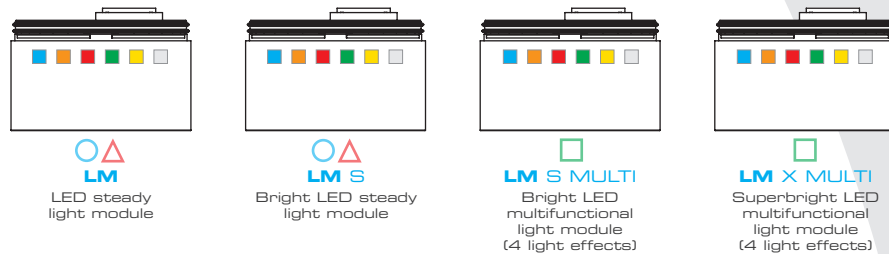
everybody loves beauty

## PHILOSOPHIES

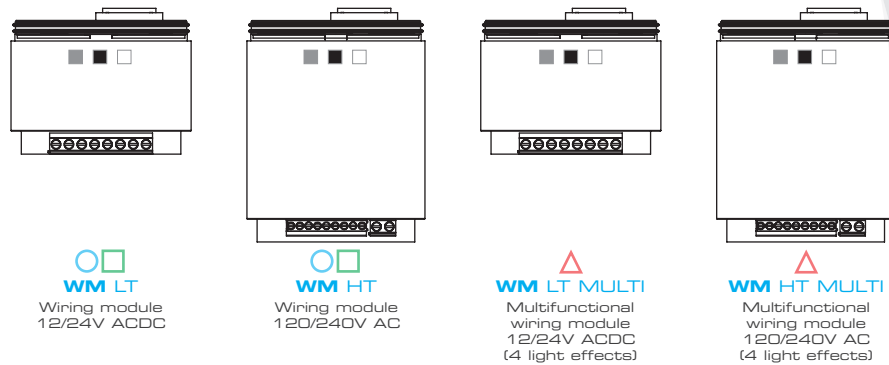
### AM ACOUSTIC MODULE



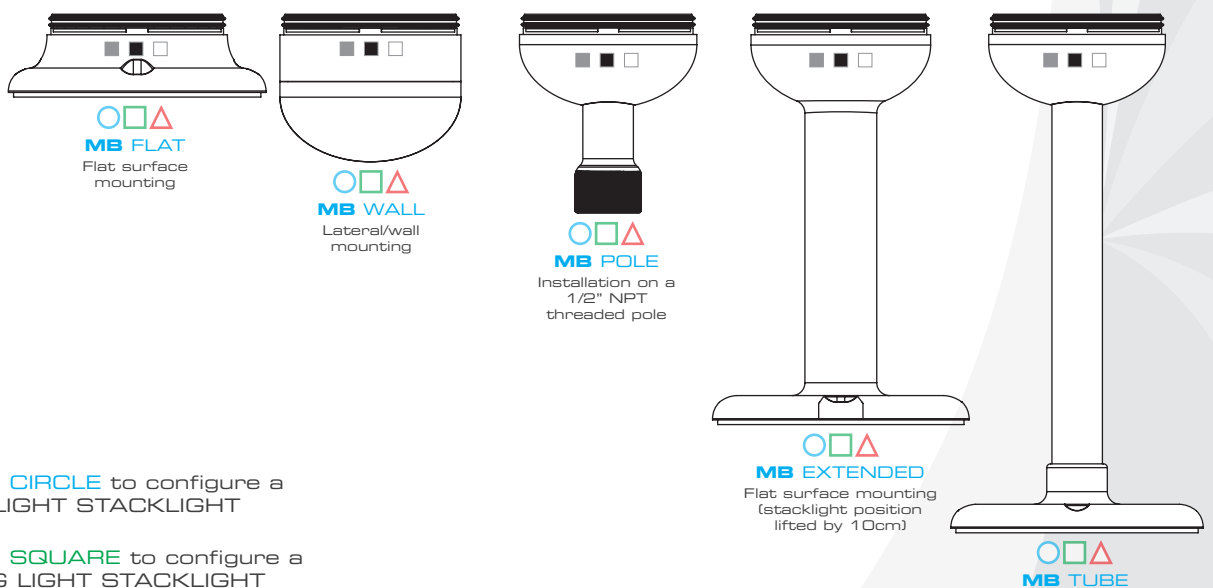
### LM LIGHT MODULE






### WM WIRING MODULE



### MB MOUNTING BASE



-  Follow the **CIRCLE** to configure a **STEADY LIGHT STACKLIGHT**
-  Follow the **SQUARE** to configure a **FLASHING LIGHT STACKLIGHT**
-  Follow the **TRIANGLE** to configure a **STACKLIGHT WITH FLASHING CONTROLS IN THE BASE**