



## Industrial Safety Systems

**UE410 Flexi**  
**Modular Safety Controller**



**SICK**  
Sensor Intelligence.



- Optimal integration of SICK safety devices
- Significant reduction in the control cabinet width
- Easy program selection using rotary switches (no software required)
- Significant reduction in the wiring effort
- Relay module
- PROFIBUS and DeviceNet integration



Further information	Page
→ Detailed technical specifications	4
→ Internal circuitry	10
→ Dimensional drawings	12
→ Connection diagrams	13
→ Accessories	17

## Overview of technical specifications

Number of inputs	4 ... 100 depending on module combination
Number of safety capable outputs	4 ... 52 depending on module combination
Field bus (depending on type)	DeviceNet/PROFIBUS-DP
Program selection	Adjustable by means of rotary switch
Logical functions	OR, AND, BYPASS, Muting
Muting	✓

## Product description

Behind the UE410 Flexi series is a safety control concept that enables different units and modules to be connected together as required in the specific case.

The units are of plug-in style with communication between the individual units over an internal bus.

The sensors that can be connected and the function are defined using rotary switches on the related units; except for the relay modules and the fieldbus modules that are used for integration in a higher level

controller without a safety function. These modules are output units and have no effect on the logic set or the function of the upstream units.

The UE410 series comprises the units:

- UE410-MU (main unit)
- UE410-XU (extension unit)
- UE410-8DI (input expansion unit)
- UE410-2RO/-4RO (relay module)
- UE410-PRO/UE410-DEV (diagnosis module PROFIBUS-DP/DeviceNet. CANopen in preparation)

## In-system added value

A UE410 system always comprises a main unit (UE410-MU) and, as required,

additional extension units and an appropriate diagnosis module.

	Module	Number of inputs	Number of outputs	Delay time (adjustable <sup>3)</sup> )	Connection type	Field bus	Number of application diagnostic outputs
UE410-MU	Main unit	4	4	0 ... 5 s 0 ... 50 s 0 ... 300 s	Plug-in terminals/ dual level spring clamp	-	-
UE410-XU	Extension unit	4	4	0 ... 5 s 0 ... 50 s 0 ... 300 s		-	-
UE410-8DI	Input expansion unit	4 <sup>1)</sup>	-	-		-	-
UE410-2RO/ UE410-4RO	Relay module	-	2/4 <sup>2)</sup>	-		-	1/2
UE410-PRO/ UE410-DEV	Diagnosis module	-	-	-		PROFIBUS-DP/ DeviceNet	-

<sup>1)</sup> Dual-channel

<sup>2)</sup> Relay outputs

<sup>3)</sup> Only outputs Q3/Q4

→ Configuring UE410 Flexi modules: [www.ue410flexi.com](http://www.ue410flexi.com)

## Ordering information

### Main unit

Number of inputs	Number of safety capable outputs	Connection type	Delay time (adjustable)	Type	Part number
2 dual-channel resp. 4 single-channel	2 dual-channel resp. 4 single-channel	Plug-in terminals	0 s ... 5 s	UE410-MU3T5	6026136
			0 s ... 50 s	UE410-MU3T50	6026137
			0 s ... 300 s	UE410-MU3T300	6026138
		Dual level spring clamp terminals	0 s ... 5 s	UE410-MU4T5	6032669
			0 s ... 50 s	UE410-MU4T50	6032670
			0 s ... 300 s	UE410-MU4T300	6032671

### Extension unit

Number of inputs	Number of safety capable outputs	Connection type	Delay time (adjustable)	Type	Part number
2 dual-channel resp. 4 single-channel	2 dual-channel resp. 4 single-channel	Plug-in terminals	0 s ... 5 s	UE410-XU3T5	6032470
			0 s ... 50 s	UE410-XU3T50	6032471
			0 s ... 300 s	UE410-XU3T300	6032472
		Dual level spring clamp terminals	0 s ... 5 s	UE410-XU4T5	6032672
			0 s ... 50 s	UE410-XU4T50	6032673
			0 s ... 300 s	UE410-XU4T300	6032674

### Input expansion unit

Number of inputs	Connection type	Type	Part number
4 dual-channel resp. 8 single-channel	Plug-in terminals	UE410-8DI3	6026139
	Dual level spring clamp terminals	UE410-8DI4	6032675

### Relay module

Number of normally open contacts	Number of application diagnostic outputs	Connection type	Type	Part number
2	1	Plug-in terminals	UE410-2R03	6026144
		Dual level spring clamp terminals	UE410-2R04	6032677
4	2	Plug-in terminals	UE410-4R03	6026143
		Dual level spring clamp terminals	UE410-4R04	6032676

### Diagnosis module

Field bus	Connection type	Type	Part number
PROFIBUS-DP	Plug-in terminals	UE410-PR03	6028407
	Dual level spring clamp terminals	UE410-PR04	6032678
DeviceNet	Plug-in terminals	UE410-DEV3	6032469
	Dual level spring clamp terminals	UE410-DEV4	6032679

## Detailed technical specifications

### Main unit

#### General data

	UE410- MU3T5	UE410- MU3T50	UE410- MU3T300	UE410- MU4T5	UE410- MU4T50	UE410- MU4T300
Category	4 (EN 954-1)					
Safety integrity level	SIL3 (IEC 61508)					
PFD	1.7 x 10 <sup>-5</sup>					
PFH	7.9 x 10 <sup>-9</sup> /h					
SFF	96 %					
DC	93 %					
Ambient operating temperature	-25 °C ... +55 °C					
Storage temperature	-25 °C ... +70 °C					
Air humidity from ... to	15 % ... 95 %, non-dewing					
Climate conditions according to	EN 61131-2					
Vibration resistance	5 Hz ... 500 Hz					
Vibration resistance (checked to)	EN 60068-2-64, EN 61131-2					
Enclosure rating	EN/IEC 60529					
Clamps	IP 40					
Housing	IP 20					
Electromagnetic compatibility (EMC)	Class A (EN 61131-2, EN 61000-6-2, EN 55011)					
Protection class	III					
Connection conductor cross-section	Single-wire or fine-wire conductor: 1 x 0.14 mm <sup>2</sup> ... 2.5 mm <sup>2</sup> or 2 x 0.14 mm <sup>2</sup> ... 0.75 mm <sup>2</sup> / fine-wire with terminal crimp according to EN 46288: 1 x 0.25 mm <sup>2</sup> ... 2.5 mm <sup>2</sup> or 2 x 0.25 mm <sup>2</sup> ... 0.5 mm <sup>2</sup>					
Connection type	Plug-in terminals			Dual level spring clamp terminals		
Dimensions (W x H x D)	29 mm x 96.5 mm x 120.8 mm					
Weight	180 g					

## Electrical data

	UE410- MU3T5	UE410- MU3T50	UE410- MU3T300	UE410- MU4T5	UE410- MU4T50	UE410- MU4T300
Supply voltage	24 V DC (19.2 V DC ... 30 V DC)					
Type of supply voltage	PELV (electrical output circuit on UE410-4RO/UE410-2RO > 25 V AC/60 V DC), PELV or SELV (electrical output circuit on UE410-4RO/UE410-2RO < 25 V AC/60 V DC)					
Power consumption	3 W					
Switch-on time	10 s					
Short-circuit protection	4A, fuse characteristic gG					
Input circuit (I1 - I4, EN, S1 - S3)	Input voltage HIGH Input voltage LOW Input current HIGH Input current LOW Switch-on time Synchronous time monitoring Muting time to operate Tolerated muting sensor signal interrupt Switch-on time ENTER button					
	15 V ... 30 V -5 V DC ... 5 V DC 3 mA (2.3 mA ... 3.6 mA) -2.5 mA ... 0.15 mA Min. 70 ms 800 ms (at program 2) 500 ms (at program 4 and 5) 61 ms, at program 3 <sup>1)</sup> 100 ms, at program 3 <sup>2)</sup> 3 s <sup>3)</sup>					
Number of inputs	2 dual-channel resp. 4 single-channel					
Control outputs (X1, X2)	Number of outputs Type of output Output voltage Output current Test pulse width Test pulse rate Load capacity					
	2 PNP semiconductors, short-circuit protected, cross-circuit monitored 18 V DC ... 30 V DC Max. 150 mA 12 ms (at program 1, 2, 4, 5, 6 on X1 and X2, at program 3.2 on X1) 52 ms (at program 3.2 on X2) 5 Hz Max. 1000 nF					
Safety outputs (Q1, Q2, Q3, Q4)	Number of safety capable outputs Type of output Output voltage Output current Response time Test pulse width Test pulse rate Load capacity Cable length Response time					
	4 PNP semiconductors, short-circuit protected, cross-circuit monitored 30 V DC 2 A 13 ms 300 µs 5 Hz 500 nF 100 m, 1.5 mm <sup>2</sup> 13 ms (I1/I2) program 3.1, 7, 8 29 ms (I1/I2) program 1, 2, 4, 5, 6 130 ms (I1/I2) program 1 safety mat 79 ms (I1/X1) program 3.2 29 ms (I2/X2) program 3.2 13 ms (I3/I4) program 1, 2, 7, 8 29 ms (I3/I4) program 4 and 5 13 ms (EN) at cascading					
Delay time <sup>4)</sup>	Adjustable 0 s ... 5 s	Adjustable 0 s ... 50 s	Adjustable 0 s ... 300 s	Adjustable 0 s ... 5 s	Adjustable 0 s ... 50 s	Adjustable 0 s ... 300 s
Data interface	Via field bus					

<sup>1)</sup> Time between muting condition valid (I3/I4 HIGH) and muting active

<sup>2)</sup> One muting input (I3 or I4) may be LOW for this time

<sup>3)</sup> Upon applying the supply voltage

<sup>4)</sup> Only outputs Q3/Q4

## Extension unit

## General data

	UE410- XU3T5	UE410- XU3T50	UE410- XU3T300	UE410- XU4T5	UE410- XU4T50	UE410- XU4T300
Category	4 (EN 954-1)					
Safety integrity level	SIL3 (IEC 61508)					
PFD	$1.7 \times 10^{-5}$					
PFH	$7.9 \times 10^{-9}/h$					
SFF	96 %					
DC	93 %					
Ambient operating temperature	-25 °C ... +55 °C					
Storage temperature	-25 °C ... +70 °C					
Air humidity from ... to	15 % ... 95 %, non-dewing					
Climate conditions according to	EN 61131-2					
Vibration resistance	5 Hz ... 500 Hz					
Vibration resistance (checked to)	EN 60068-2-64, EN 61131-2					
Enclosure rating	EN/IEC 60529					
Clamps	IP 40					
Housing	IP 20					
Electromagnetic compatibility (EMC)	Class A (EN 61131-2, EN 61000-6-2, EN 55011)					
Protection class	III					
Connection conductor cross-section	Single-wire or fine-wire conductor: 1 x 0.14 mm <sup>2</sup> ... 2.5 mm <sup>2</sup> or 2 x 0.14 mm <sup>2</sup> ... 0.75 mm <sup>2</sup> / fine-wire with terminal crimp according to EN 46288: 1 x 0.25 mm <sup>2</sup> ... 2.5 mm <sup>2</sup> or 2 x 0.25 mm <sup>2</sup> ... 0.5 mm <sup>2</sup>					
Connection type	Plug-in terminals			Dual level spring clamp terminals		
Dimensions (W x H x D)	22.5 mm x 96.5 mm x 120.8 mm					
Weight	180 g					

## Electrical data

	UE410- XU3T5	UE410- XU3T50	UE410- XU3T300	UE410- XU4T5	UE410- XU4T50	UE410- XU4T300
Supply voltage	24 V DC (19.2 V DC ... 30 V DC)					
Type of supply voltage	PELV (electrical output circuit on UE410-4RO/UE410-2RO > 25 V AC/60 V DC), PELV or SELV (electrical output circuit on UE410-4RO/UE410-2RO < 25 V AC/60 V DC)					
Power consumption	3 W					
Switch-on time	10 s					
Short-circuit protection	4A fuse characteristic gG					
Input circuit (I1 - I4, EN, S1 - S3)	Input voltage HIGH Input voltage LOW Input current HIGH Input current LOW Switch-on time Synchronous time monitoring Muting time to operate Tolerated muting sensor signal interrupt					
	15 V ... 30 V -5 V DC ... 5 V DC 3 mA (2.3 mA ... 3.6 mA) -2.5 mA ... 0.15 mA Min. 70 ms 800 ms (at program 2) 500 ms (at program 4 and 5) 61 ms, at program 3 <sup>1)</sup> 100 ms, at program 3 <sup>2)</sup>					
Number of inputs	2 dual-channel resp. 4 single-channel					
Control outputs (X1, X2)	Number of outputs Type of output Output voltage Output current Test pulse width Test pulse rate Load capacity					
	2 PNP semiconductors, short-circuit protected, cross-circuit monitored 18 V DC ... 30 V DC Max. 150 mA 12 ms (at program 1, 2, 4, 5, 6 on X1 and X2, at program 3.2 on X1) 52 ms (at program 3.2 on X2) 5 Hz Max. 1000 nF					

	UE410- XU3T5	UE410- XU3T50	UE410- XU3T300	UE410- XU4T5	UE410- XU4T50	UE410- XU4T300
<b>Safety outputs (Q1, Q2, Q3, Q4)</b>						
Number of safety capable outputs	4					
Type of output	PNP semiconductors, short-circuit protected, cross-circuit monitored					
Output voltage	30 V DC					
Output current	2 A					
Response time	13 ms					
Test pulse width	300 µs					
Test pulse rate	5 Hz					
Load capacity	500 nF					
Cable length	100 m, 1.5 mm <sup>2</sup>					
Response time	13 ms (I1/I2) program 3.1, 7, 8 29 ms (I1/I2) program 1, 2, 4, 5, 6 130 ms (I1/I2) program 1 safety mat 79 ms (I1/X1) program 3.2 29 ms (I2/X2) program 3.2 13 ms (I3/I4) program 1, 2, 7, 8 29 ms (I3/I4) program 4 and 5 13 ms (EN) at cascading					
Delay time <sup>3)</sup>	Adjustable 0 s ... 5 s	Adjustable 0 s ... 50 s	Adjustable 0 s ... 300 s	Adjustable 0 s ... 5 s	Adjustable 0 s ... 50 s	Adjustable 0 s ... 300 s
<b>Data interface</b>	Via field bus					

<sup>1)</sup> Time between muting condition valid (I3/I4 HIGH) and muting active

<sup>2)</sup> One muting input (I3 or I4) may be LOW for this time

<sup>3)</sup> Only outputs Q3/Q4

## Input expansion unit

### General data

	UE410-8DI3	UE410-8DI4
<b>Category</b>	4 (EN 954-1)	
<b>Safety integrity level</b>	SIL3 (IEC 61508)	
<b>PFD</b>	9.2 x 10 <sup>-6</sup>	
<b>PFH</b>	6.1 x 10 <sup>-9</sup> /h	
<b>SFF</b>	96 %	
<b>DC</b>	93 %	
<b>Ambient operating temperature</b>	-25 °C ... +55 °C	
<b>Storage temperature</b>	-25 °C ... +70 °C	
<b>Air humidity from ... to</b>	15 % ... 95 %, non-dewing	
<b>Climate conditions according to</b>	EN 61131-2	
<b>Vibration resistance</b>	5 Hz ... 500 Hz	
<b>Vibration resistance (checked to)</b>	EN 60068-2-64, EN 61131-2	
<b>Enclosure rating</b>	EN/IEC 60529	
<b>Clamps</b>	IP 40	
<b>Housing</b>	IP 20	
<b>Electromagnetic compatibility (EMC)</b>	Class A (EN 61131-2, EN 61000-6-2, EN 55011)	
<b>Protection class</b>	III	
<b>Connection conductor cross-section</b>	Single-wire or fine-wire conductor: 1 x 0.14 mm <sup>2</sup> ... 2.5 mm <sup>2</sup> or 2 x 0.14 mm <sup>2</sup> ... 0.75 mm <sup>2</sup> / fine-wire with terminal crimp according to EN 46288: 1 x 0.25 mm <sup>2</sup> ... 2.5 mm <sup>2</sup> or 2 x 0.25 mm <sup>2</sup> ... 0.5 mm <sup>2</sup>	
<b>Connection type</b>	Plug-in terminals	Dual level spring clamp terminals
<b>Dimensions (W x H x D)</b>	22.5 mm x 96.5 mm x 120.8 mm	
<b>Weight</b>	150 g	

## Electrical data

	UE410-8DI3	UE410-8DI4
Power consumption	2 W	
Input circuit (I1 - I4, EN, S1 - S3)	Input voltage HIGH 15 V ... 30 V Input voltage LOW -5 V ... 5 V DC Input current HIGH 3 mA (2.3 mA ... 3.6 mA) Input current LOW -2.5 mA ... 0.15 mA Switch-on time Min. 70 ms Synchronous time monitoring 800 ms (at program 3 and 5)	
Number of inputs	4 dual-channel resp. 8 single-channel	
Control outputs (X1, X2)	Number of outputs 8 Type of output PNP semiconductors, short-circuit protected, conditionally cross-circuit monitored Output voltage 18 V DC ... 30 V DC Output current Max. 150 mA Test pulse width 12 ms (at program 1, 2, 4, 5 on X1 and X2) Test pulse rate 5 Hz Load capacity Max. 1000 nF	
Safety outputs (Q1, Q2, Q3, Q4)	Response time 17 ms (for main unit and input expansion unit) mode switch selection 6, 7 on UE410-8DI 34 ms (for main unit and input expansion unit) mode switch selection 1, 2, 3, 4, 5 on UE410-8DI 134 ms (for main unit and input expansion unit) mode switch selection 2 safety mat on UE410-8DI	
Data interface	Via field bus	

## Relay module

## General data

	UE410-2R03	UE410-2R04	UE410-4R03	UE410-4R04
Galvanised decoupling	yes Supply circuit - output circuit and input circuit - output circuit no Supply circuit - input circuit			
Ambient operating temperature	-25 °C ... +55 °C			
Storage temperature	-25 °C ... +70 °C			
Air humidity from ... to	15 % ... 95 %, non-dewing			
Climate conditions according to	EN 61131-2			
Vibration resistance	5 Hz ... 500 Hz			
Vibration resistance (checked to)	EN 60068-2-64, EN 61131-2			
Enclosure rating	EN/IEC 60529			
	Clamps IP 40			
	Housing IP 20			
Electromagnetic compatibility (EMC)	Class A (EN 61131-2, EN 61000-6-2, EN 55011)			
Protection class	III			
Connection conductor cross-section	Single-wire or fine-wire conductor: 1 x 0.14 mm <sup>2</sup> ... 2.5 mm <sup>2</sup> or 2 x 0.14 mm <sup>2</sup> ... 0.75 mm <sup>2</sup> / fine-wire with terminal crimp according to EN 46288: 1 x 0.25 mm <sup>2</sup> ... 2.5 mm <sup>2</sup> or 2 x 0.25 mm <sup>2</sup> ... 0.5 mm <sup>2</sup>			
Connection type	Plug-in terminals	Dual level spring clamp terminals	Plug-in terminals	Dual level spring clamp terminals
Dimensions (W x H x D)	22 mm x 96.5 mm x 120.8 mm			
Weight	160 g		190 g	



## Electrical data

	UE410-2R03	UE410-2R04	UE410-4R03	UE410-4R04
Supply voltage	24 V DC (19.2 V DC ... 30 V DC)			
Type of supply voltage	PELV (electrical output circuit on UE410-4R0/UE410-2R0 > 25 V AC/60 V DC), PELV or SELV (electrical output circuit on UE410-4R0/UE410-2R0 < 25 V AC/60 V DC)			
Power consumption	1 W		2 W	
Short-circuit protection	6A, fuse characteristic gG (per circuit)			
Safety outputs (Q1, Q2, Q3, Q4)				
Number of normally open contacts	2		4	
Number of application diagnostic outputs	1		2	
Type of output	Potential free, positively-driven			
Switching voltage	230 V DC (5 V DC ... 275 V DC) 250 V AC (5 V AC ... 275 V AC)			
Output current	6 A			
Total current	12 A			
Response time	< 30 ms			
Contact material	AgSnO2			
Surface treatment	Au (1µM)			
Usage category	AC-15/DC-13			
Rated operating current (voltage)	3 A (250 V AC), 3 A (24 V DC)			
Response time	< 30 ms			
Data interface	Via field bus			

## Diagnosis module

## General data

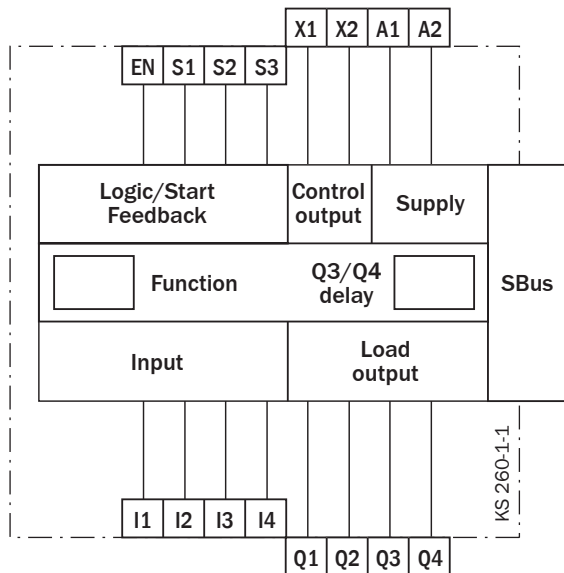
	UE410-PRO3	UE410-PRO4	UE410-DEV3	UE410-DEV4
Ambient operating temperature	-25 °C ... +55 °C			
Storage temperature	-25 °C ... +70 °C			
Air humidity from ... to	15 % ... 95 %, non-dewing			
Climate conditions according to	EN 61131-2			
Vibration resistance	5 Hz ... 500 Hz			
Vibration resistance (checked to)	EN 60068-2-64, EN 61131-2			
Enclosure rating	EN/IEC 60529			
Clamps	IP 40			
Housing	IP 20			
Electromagnetic compatibility (EMC)	Class A (EN 61131-2, EN 61000-6-2, EN 55011)			
Protection class	III			
Connection conductor cross-section	Single-wire or fine-wire conductor: 1 x 0.14 mm <sup>2</sup> ... 2.5 mm <sup>2</sup> or 2 x 0.14 mm <sup>2</sup> ... 0.75 mm <sup>2</sup> / fine-wire with terminal crimp according to EN 46288: 1 x 0.25 mm <sup>2</sup> ... 2.5 mm <sup>2</sup> or 2 x 0.25 mm <sup>2</sup> ... 0.5 mm <sup>2</sup>			
Connection type	Plug-in terminals	Dual level spring clamp terminals	Plug-in terminals	Dual level spring clamp terminals
Dimensions (W x H x D)	22.5 mm x 96.5 mm x 120.8 mm			
Weight	160 g			

Electrical data

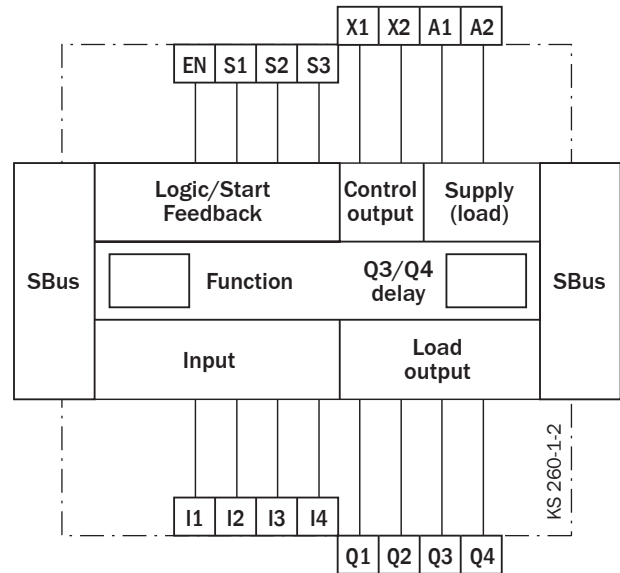
	UE410-PRO3	UE410-PRO4	UE410-DEV3	UE410-DEV4
Supply voltage	24 V DC (19.2 V DC ... 30 V DC)			
Power consumption	1.6 W			
Control outputs (X1, X2)	Number of outputs: 4 Type of output: PNP semiconductors, short-circuit protected Output voltage: 18 V DC ... 30 V DC Output current: Max. 100 mA Load capacity: Max. 100 nF			
Data interface	Field bus: RS-485, PROFIBUS-DP, VO Communication behavior: SUB-D 9 pole, female Connection type: 0 ... 99 Slave address: 12 MBaud Transmission rate: 1200 m (9,6 Kbits/s, 19,2 Kbits/s, 93,75Kbits/s), 1000 m (187,5 Kbits/s), 400 m (500 Kbits/s), 200 m (1500 Kbits/s), 100 m (12000 Kbits/s)		Field bus: ISO-DIS 11898 Communication behavior: DeviceNet, Group 2 Only Server Connection type: Plug-in terminal 5 pole Slave address: 0 ... 63 Transmission rate: 125 KBit/s, 250 KBit/s, 500 KBit/s Cable length (transmission rate): -	

Internal circuitry

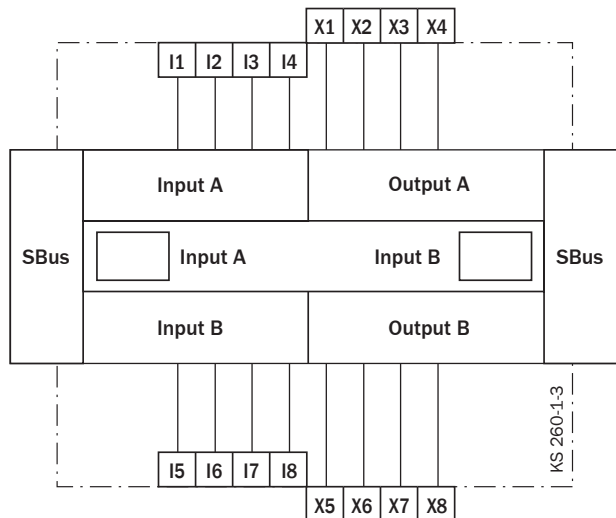
Main unit UE410-MU



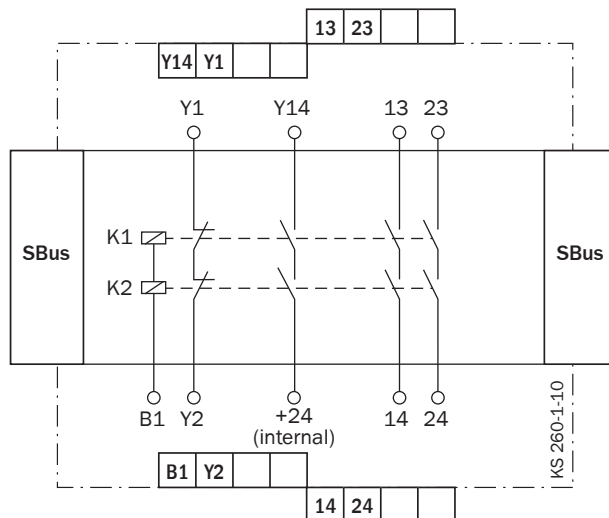
Extension unit UE410-XU



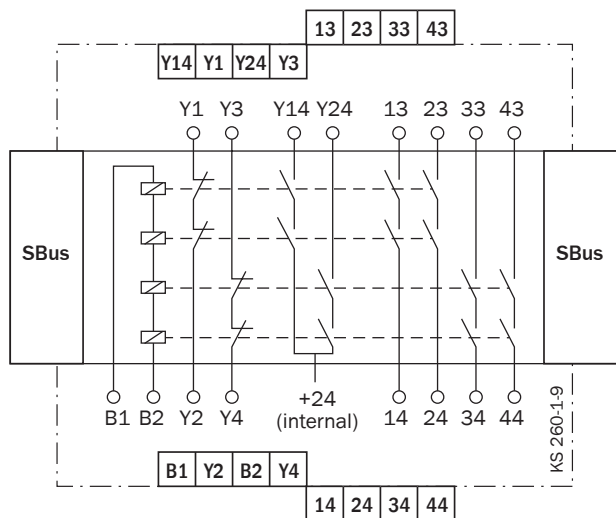
**Input expansion unit UE410-8DI**



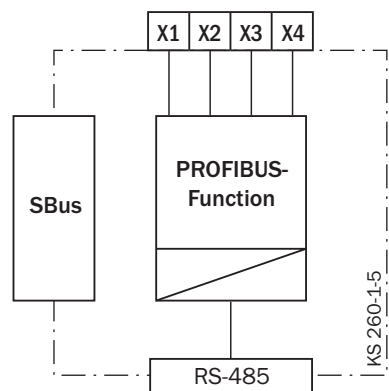
**Relay module UE410-2R0**



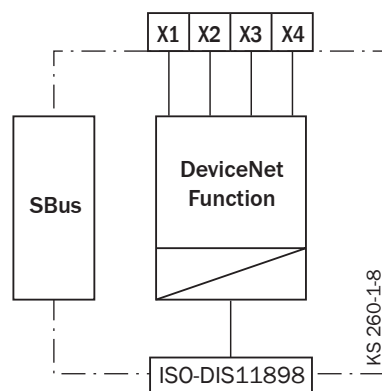
**Relay module UE410-4R0**



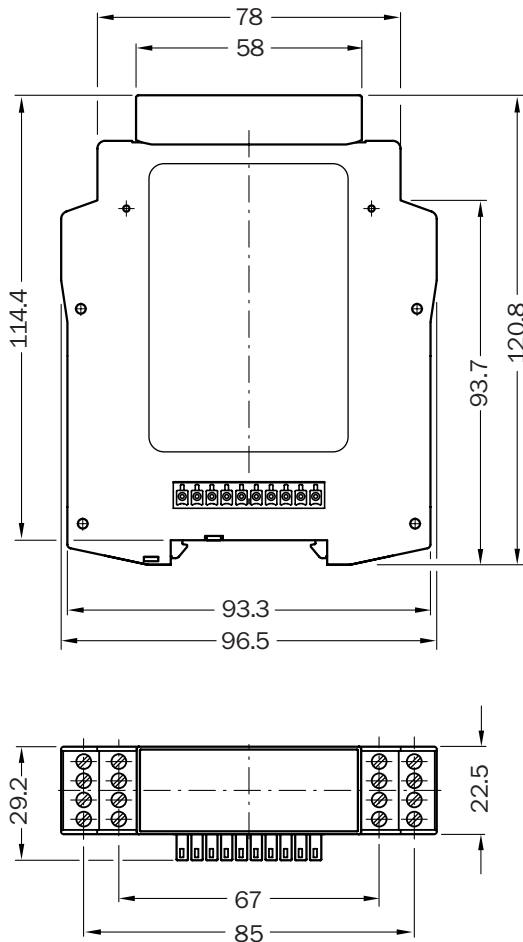
**Diagnosis module UE410-PRO for PROFIBUS-DP**



**Diagnosis module UE410-DEV for DeviceNet**



## Dimensional drawings

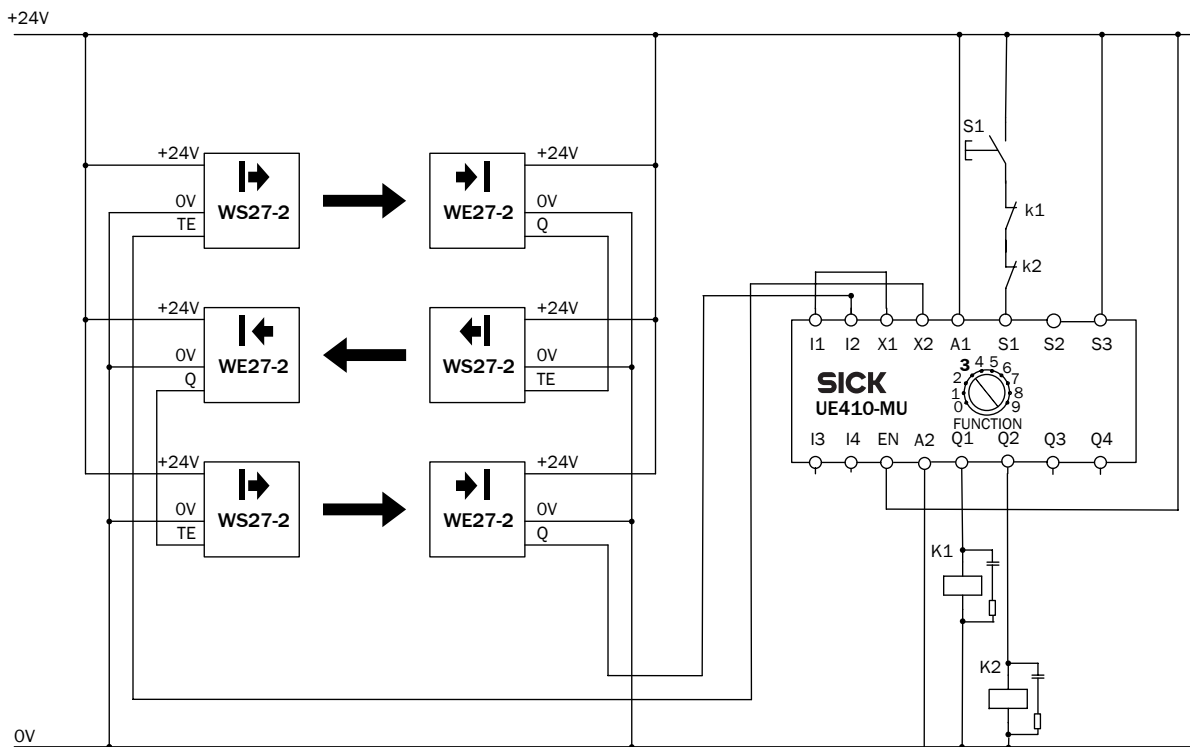


Dimensions in mm

## Connection diagrams

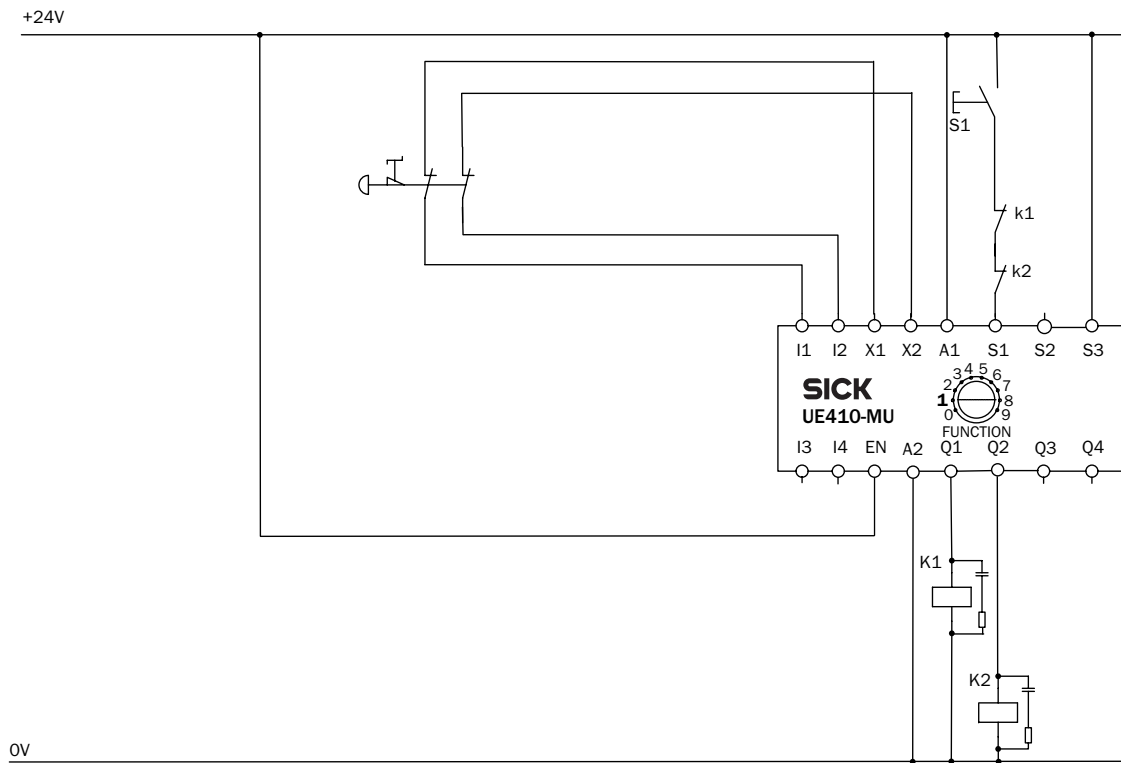
→ You can find connection diagrams at [www.sick.com](http://www.sick.com)

### 3 single-beam photoelectric safety switches WS/WE27-2 on UE410-MU



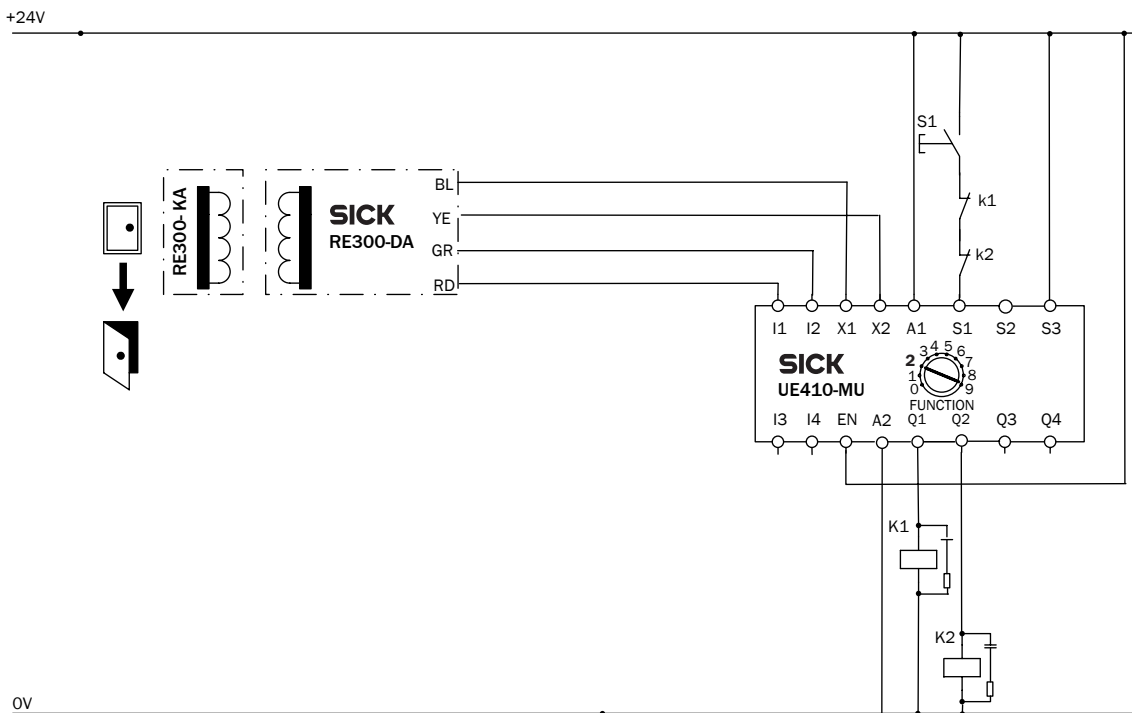
Program 3.2 with restart interlock and external device monitoring (EDM)

Emergency stop on UE410-MU



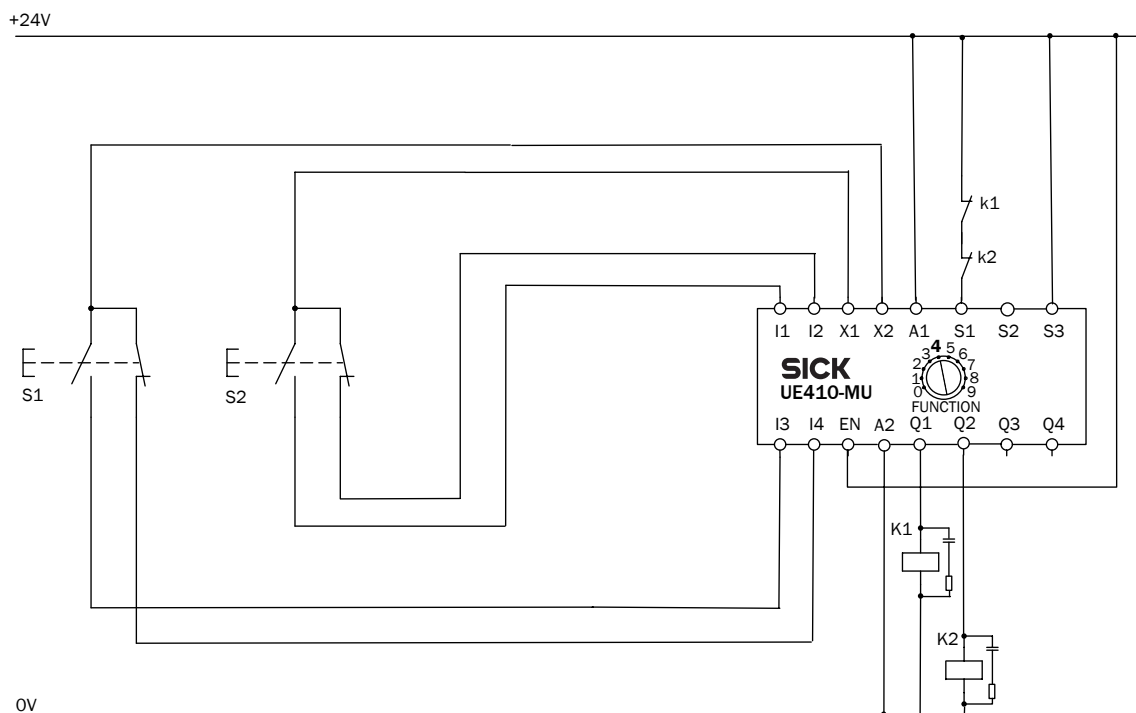
Program 1 with restart interlock and external device monitoring (EDM)

Non-contact safety switch RE300 on UE410-MU



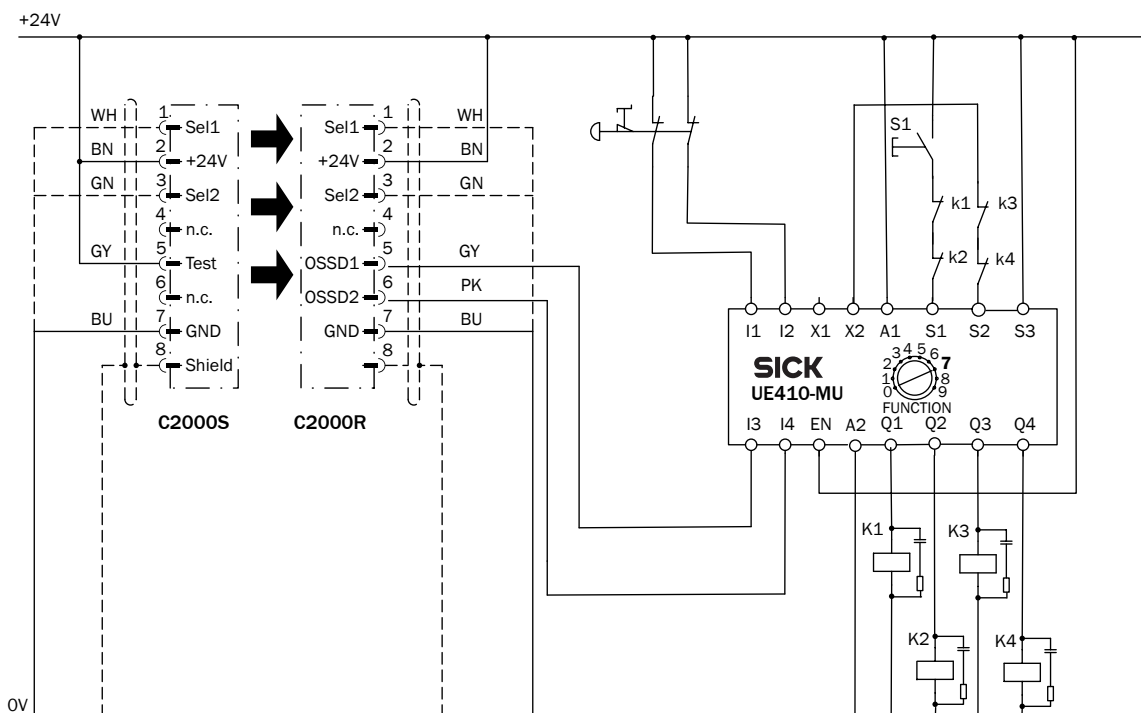
Program 2 with restart interlock and external device monitoring (EDM)

Two-hand control type III C on UE410-MU



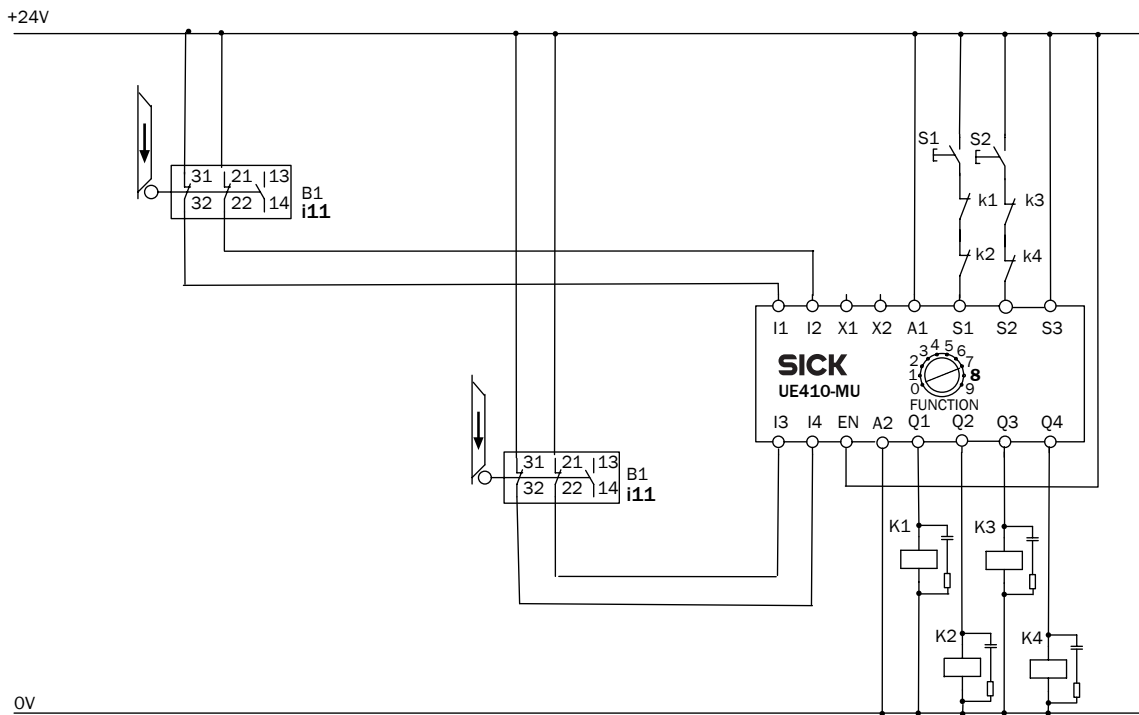
Program 4 without restart interlock and with external device monitoring (EDM)

Safety light curtain C2000 and emergency stop on UE410-MU



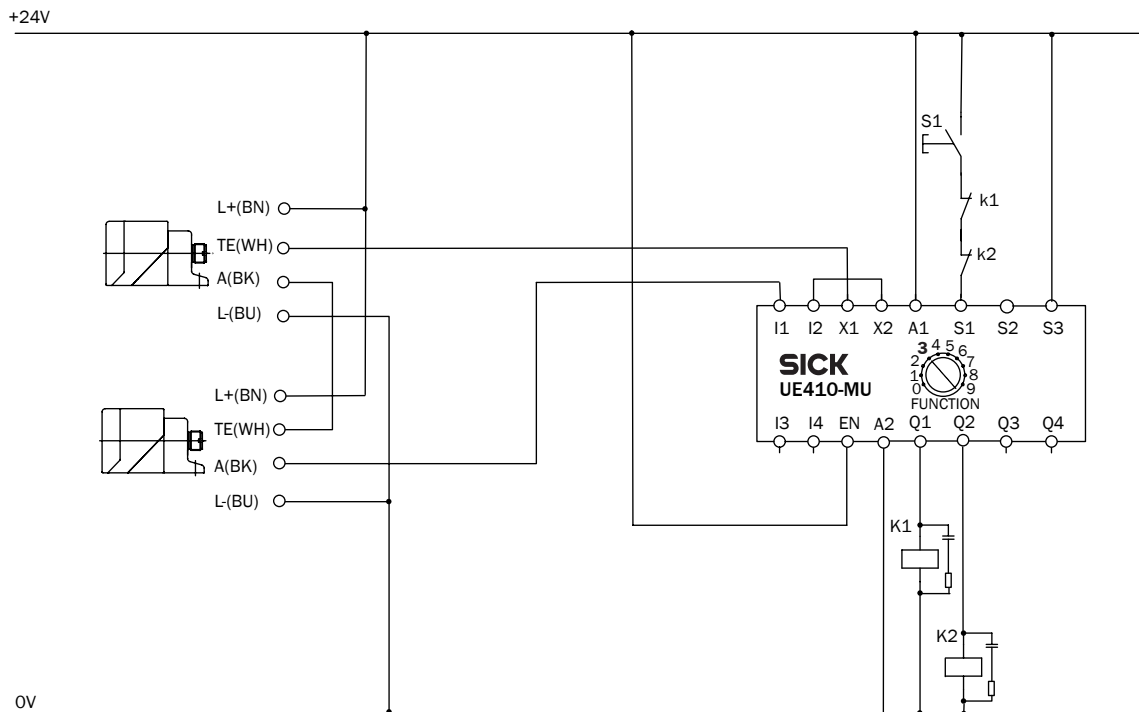
Program 7 with restart interlock and external device monitoring (EDM)

2 safety switches with separate actuator i11, 2 separate hazardous areas on UE410-MU



Program 8 with restart interlock and external device monitoring (EDM)

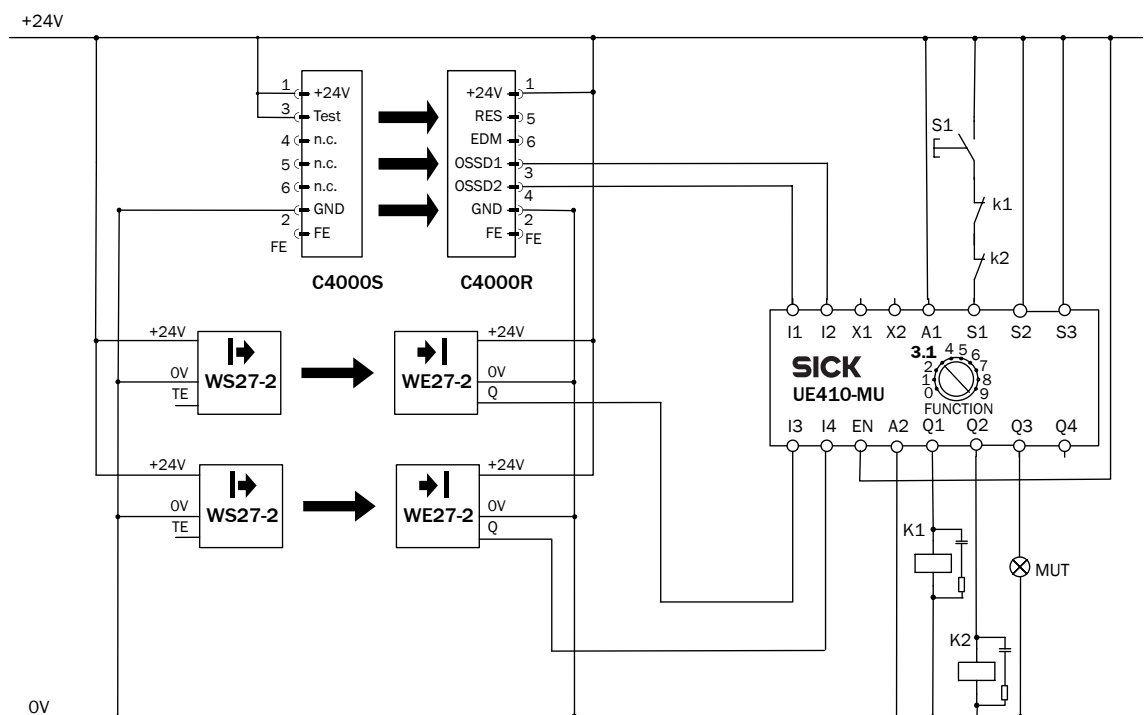
2 non-contact safety switches IN4000 on UE410-MU



Program 3.2 with restart interlock and external device monitoring (EDM)



Safety light curtain C4000 with 2 muting sensors on UE410-MU



Program 3.1 with restart interlock and external device monitoring (EDM)

## Accessories

### Muting indicator lamp

Type of muting indicator	Cable length	Description	Remark connection cable	Part number
LED lamp	2 m	Incl. mounting kit	Incl. connection cable	2019909
	10 m			2019910
Indicator lamp (bulb)	-		Connecting cable not included	2020743

➔ Configuring UE410 Flexi modules: [www.ue410flexi.com](http://www.ue410flexi.com)

# SICK Industrial Safety Systems

## Safety laser scanners

- S3000
- S300
- S200
- PLS
- PLS Short Range

## Safety camera system

- V4000 Press Brake

## Safety light curtains

- C4000 Micro
- C4000 Basic Plus, Basic, Eco
- C4000 Standard/Advanced
- C4000 Entry/Exit
- C4000 Palletizer
- M4000 Advanced Curtain
- C2000
- LGT

## Multiple light beam safety devices

- M4000
- MSL
- MSL/MSM
- M2000

## Single-beam photoelectric safety switches

- L4000 System
- WSU/WEU26/2
- WS/WE12-2 mit LE20
- WS/WE18-3 mit LE20
- WS/WE24-2 mit LE20
- WS/WE27-2 mit LE20
- VS/VE18-2 mit LE20

## Electro-mechanical and non-contact safety switches

- Safety position switches
- Safety switches with separate actuator
- Safety locking devices
- Safety sensors
- Safety operating devices
- Safety hinge switches

## Safety network solutions UE1000 series

- UE4120, UE4150, UE4155
- UE4212, UE4215, UE4231, UE4232, UE4233, UE4234
- UE4420, UE4421, UE4450, UE4470



**SICK Industrial Safety Systems**

## Safety controllers UE100 series

- UE410 Flexi
- UE440, UE470
- UE4427, UE4457
- UE4470

## Safety relays UE10 series

- UE10 to UE49

## Software

- Safexpert

[www.sick.com](http://www.sick.com)

► **eCatalog**

► **Product finder**

► **Applications**

► **and much more**

[www.sick.com/safetysystems](http://www.sick.com/safetysystems)



## safetyPLUS from SICK: Your decisive PLUS in possibilities!

SICK offers the most versatile innovative safety portfolio worldwide: our sector-spanning competence for persons and machines offers unique safety solutions that also meet your individual requirements! Our system-open control solutions, our electro-sensitive protective equipment, and our non-contact and electromechanical safety switches stand for comprehensive safety from a single source – and offer all the potentials you need for success!

Secure your PLUS in possibilities now at [www.sick-safetyplus.com](http://www.sick-safetyplus.com)

**Australia**

Phone +61 3 9497 4100  
1800 33 48 02 – tollfree  
E-Mail sales@sick.com.au

**Belgium/Luxembourg**

Phone +32 (0)2 466 55 66  
E-Mail info@sick.be

**Brasil**

Phone +55 11 5091-4900  
E-Mail sac@sick.com.br

**Ceská Republika**

Phone +420 2 57 91 18 50  
E-Mail sick@sick.cz

**China**

Phone +852-2763 6966  
E-Mail ghk@sick.com.hk

**Danmark**

Phone +45 45 82 64 00  
E-Mail sick@sick.dk

**Deutschland**

Phone +49 (0)2 11 53 01-260  
E-Mail info@sick.de

**España**

Phone +34 93 480 31 00  
E-Mail info@sick.es

**France**

Phone +33 1 64 62 35 00  
E-Mail info@sick.fr

**Great Britain**

Phone +44 (0)1727 831121  
E-Mail info@sick.co.uk

**India**

Phone +91-22-2822 7084  
E-Mail info@sick-india.com

**Italia**

Phone +39 02 27 43 41  
E-Mail info@sick.it

**Japan**

Phone +81 (0)3 3358 1341  
E-Mail support@sick.jp

**Nederlands**

Phone +31 (0)30 229 25 44  
E-Mail info@sick.nl

**Norge**

Phone +47 67 81 50 00  
E-Mail austefjord@sick.no

**Österreich**

Phone +43 (0)22 36 62 28 8-0  
E-Mail office@sick.at

**Polska**

Phone +48 22 837 40 50  
E-Mail info@sick.pl

**Republic of Korea**

Phone +82-2 786 6321/4  
E-Mail kang@sickkorea.net

**Republika Slovenija**

Phone +386 (0)1-47 69 990  
E-Mail office@sick.si

**Russia**

Phone +7 495 775 05 34  
E-Mail denis.kesaev@sick-  
automation.ru

**Schweiz**

Phone +41 41 619 29 39  
E-Mail contact@sick.ch

**Singapore**

Phone +65 6744 3732  
E-Mail admin@sicksgp.com.sg

**Suomi**

Phone +358-9-25 15 800  
E-Mail sick@sick.fi

**Sverige**

Phone +46 8 680 64 50  
E-Mail info@sick.se

**Taiwan**

Phone +886 2 2365-6292  
E-Mail sickgrc@ms6.hinet.net

**Türkiye**

Phone +90 216 587 74 00  
E-Mail info@sick.com.tr

**USA/Canada/México**

Phone +1(952) 941-6780  
1 800-325-7425 – tollfree  
E-Mail info@sickusa.com

More representatives and agencies  
in all major industrial nations at  
[www.sick.com](http://www.sick.com)