

## CDM 400 – Connection Device Modular Expandable connection module for SICK bar code scanners



### Commissioning SICK bar code scanners the easy way

Working on a modular principle, the CDM 400 offers rapid and industry-oriented connection of a SICK CLV 4xx or ICR 85x bar code scanner to a SICK CAN Scanner network, a host computer or a PLC system. Industry oriented also means protected against dust and spray: CLV 4xx bar code scanners and the CDM 400 meet the requirements of an IP 65 enclosure rating.

The CDM 490 can even be used for deep-freeze applications down to – 35 °C in connection with a CLV 480 or CLV/X 490 bar code scanner with integrated heating.

The CDM 420 has been prepared for upgrading with a CMC 400 Connection Module Cloning parameter memory unit. This module is installed in the CDM 420 in the plug-in slot provided, and stores all the parameters of the connected bar code scanner externally in the connection module. Application-specific parameters are automatically copied to a new device if a bar code scanner requires replacement. An optional display in an exchangeable lid allows on site diagnosis of the bar code scanner without connecting a PC (this also requires use of the CMC 400).

Optional field bus modules can also be installed in the CDM 400. This allows SICK bar code scanners to be easily networked with Profibus or DeviceNet. The optional Power Supply Module, with a wide input voltage range, supplies all CLV 41x ... CLV 45x and ICR 85x bar code scanners with the necessary operating voltage directly from the alternating current network. A variety of function analyses can be carried out with the help of LEDs that are visible through the transparent lid of the CDM 400.

As a further opportunity for the analysis and parameterisation of a bar code scanner, the CDM 400 series is equipped with a plug-in connection to the AUX interface of the CLV 4xx and ICR 8xx. This allows comfortable analysis and optimisation of the reading rate of the bar code scanner parallel to reading operation.

#### Your benefits:

- Comfortable connection of the bar code scanner to field bus systems
- Very rapid exchange of the bar code scanner through parameter memory
- Diagnosis and monitoring of the bar code scanner through display
- Simple voltage supply of scanner with Power Supply Module
- Rapid and simple troubleshooting
- Time savings through comprehensible networking with the periphery
- Time savings through rapid installation

#### The CDM 400 at a glance:

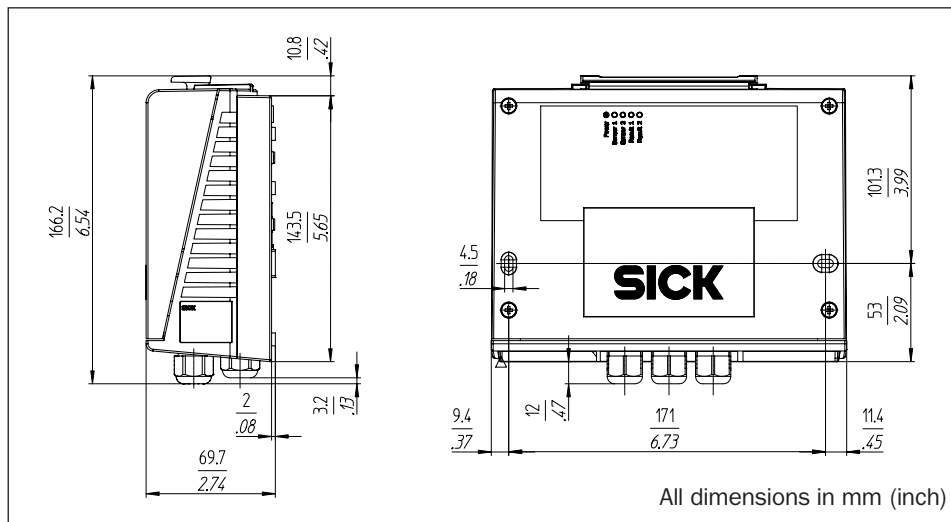
- Basis device for wiring the bar code scanner with the periphery
- 3 slots for optional field bus modules
- Slot for optional parameter memory
- Slot for optional display
- Slot for optional Power Supply Module
- Connection diagram integrated in lid
- Comprehensible and easily accessible screw/spring terminals
- Configuration via switch
- IP 65 connection of a bar code scanner using standard cable
- Strain relief for cables through cable screws
- Service plug for direct access to the AUX interface of the bar code scanner

# Technical data

Type	CDM 410	CDM 420	CDM 490
Devices supported	CLV 41x	CLV 42x ... CLV 45x ICR 85x	CLV 480; CLV/X 490 LMS 400
Basis for:			
Parameter memory	no	yes	in preparation
Display	no	yes	yes
Power Supply module	yes	yes	no
Profibus module	no	in preparation	in preparation
DeviceNet module	no	in preparation	in preparation
Optical display	5 x LED	5 x LED	11 x LED
Scanner connection	15-pin D-Sub HD socket	15-pin D-Sub HD socket	15-pin D-Sub HD socket 15-pin D-Sub HD plug
Service plug	9-pin D-Sub plug, internal		
Supply voltage <sup>1)</sup>	V <sub>Scanner</sub> + 1V (acc. to IEC 364-4-41)		
Power consumption <sup>1) 2)</sup>	P <sub>Scanner</sub> + 0.5 W		
Housing	Polycarbonate		
Colour	blue, transparent lid		
Approvals	CE, (cUL, UL in preparation)		
Protection class	Class 3 (acc. to VDE 0106), with power supply module: class 1		
Enclosure rating	IP 65 (acc. to DIN 40 050), on use of a SICK standard scanner connection cable		
Weight <sup>2)</sup>	approx. 800 g		approx. 870 g
Temperature (operation/storage)	- 35 ... +40 °C / -35 ... +70 °C		
Rel. air humidity	max. 90 %, non-condensing		

<sup>1)</sup> dependent on scanner type <sup>2)</sup> basic device, without supplementary modules

Part No.	Product
1 025 361	CDM 410-0001, IP 65
1 025 362	CDM 420-0001, IP 65
1 025 364	CDM 420-0101, IP 20, with 2 x 9-pin D-Sub sockets for Host and Aux interfaces
1 025 363	CDM 490-0001, IP 65
1 025 365	CDM 490-0101, IP 20, with 2 x 9-pin D-Sub sockets for Host and Aux interfaces
2 029 468	CMP 400 Power Supply Module for CLV 41x ... CLV 45x, ICR 85x; input voltage 100 ... 250 V AC, 50/60 Hz; Output voltage 24 V DC: power delivery max. 10.8 W
1 023 850	CMC 400-101 Cloning Module for scanner parameters
2 029 466	CMD 400 Display Module, LCD, 4 x 20 characters, illuminated, 5 keys for menu management



**A UDIN** Composants & systèmes d'automatisme  
 Siège : 7 bis rue de Tinquex - 51100 Reims - France  
 Tel : 03.26.04.20.21 - Fax : 03.26.04.28.20  
 Web : <http://www.audin.fr> - Email : [info@audin.fr](mailto:info@audin.fr)



SICK AG · AutoIdent · Nimburger Strasse 11 · 79276 Reute · Germany  
 Local sales offices see internet homepage [www.sick.com](http://www.sick.com)