



IM Standard

INDUCTIVE SENSORS AS DC 2-WIRE VERSION

Inductive proximity sensors

SICK
Sensor Intelligence.

INDUCTIVE SENSORS AS DC 2-WIRE VERSION



Product description

SICK's IM Standard cylindrical inductive proximity sensors offer precise detection, less downtime and a long service life. The standard cylindrical inductive sensor family includes IME inductive sensors, which feature advanced ASIC technology. This enables digital adjustment after the end of the manufacturing process. Proprietary ASIC technology eliminates production tolerances, en-

abling the IME to provide highly accurate and repeatable detection for any number of production runs. IME sensors are completely encapsulated with hot melt technology, which increases these sensors' life under shock and vibration. The customer benefits from high position accuracy in the machine and long term reliability.

At a glance

- Precise operating distances due to ASIC technology
- Extra tough thanks to high fastener torque and hot melt adhesive filling
- M8 to M30 sizes available
- Operating distance from 1.5 mm to 20 mm
- IP 67 enclosure rating
- Operating temperature from -25° C to +75° C
- DC 2-wire versions
- Customer-specific models available

Your benefits

- Reduced machine downtime
- Reduced mechanical damage
- Fewer maintenance costs due to longer service life
- High resistance to shock and vibrations



Additional information

Detailed technical data3
 Ordering information4
 Dimensional drawings5
 Connection diagram.....8
 Installation note9
 Recommended accessories10

→ www.mysick.com/en/IM_Standard

For more information, just enter the link or scan the QR code and get direct access to technical data, CAD design models, operating instructions, software, application examples and much more.



Detailed technical data

Features

	IME08	IME12	IME18	IME30	
Housing	Cylindrical				
Thread size	M8 x 1	M12 x 1	M18 x 1	M30 x 1.5	
Sensing range S_n	Standard, flush	2 mm	4 mm	8 mm	15 mm
	Standard, non-flush	4 mm	8 mm	12 mm	20 mm
Assured sensing range S_a	Standard, flush	1.62 mm	3.24 mm	6.48 mm	12.15 mm
	Standard, non-flush	3.24 mm	6.48 mm	9.72 mm	16.2 mm
Installation type	Flush / non-flush (depending on type)				
Output function	NC / NO				
Switching frequency	± 4,000 Hz	± 2,000 Hz	± 1,000 Hz	± 500 Hz	
Electrical wiring	DC 2-wire				
Enclosure rating ¹⁾	IP 67				

¹⁾ According to EN 60529.

Mechanics/electronics

	IME08	IME12	IME18	IME30
Supply voltage	10 V DC ... 30 V DC			
Ripple	≤ 10 %			
Voltage drop	≤ 4 V ¹⁾ ≤ 4.5 V ²⁾			
Time delay before availability	≤ 100 ms			
Hysteresis	5 % ... 15 %			3 % ... 15 % (depending on type)
Repeatability ^{3) 4)}	≤ 2 %			
Temperature drift (of S_n)	± 10 %			
EMC	According to EN 60947-5-2			
Output current I_a	≤ 100 mA			
Off-state current	≤ 0.8 mA			
Load resistance, min.	≥ 3 mA			
Connection type	Cable, 2 m, oil-resistant PVC Male connector, M8 (depending on type)	Cable, 2 m, oil-resistant PVC Male connector, M12 (depending on type)		
Short-circuit protection	✓			
Reverse polarity protection	✓			
Power-up pulse	≤ 5 ms			
Shock/vibration	30 g, 11 ms/10 Hz ... 55 Hz, 1 mm			
Ambient operating temperature	-25 °C ... +75 °C			
Housing material	Metal, Nickel-plated brass			
Housing cap material	Plastic, PA6			
Tightening torque, max.	Typ. 5 Nm	Typ. 12 Nm	≤ 40 Nm	≤ 100 Nm

¹⁾ At I_a = 30 mA.

²⁾ At I_a max.

³⁾ U_b and T_a constant.

⁴⁾ Of S_r.

Reduction factors

Note	The values are reference values which may vary
Carbon steel St37 (Fe)	1
Stainless steel (V2A, 304)	Approx. 0.8
Aluminum (Al)	Approx. 0.45
Copper (Cu)	Approx. 0.4
Brass (Br)	Approx. 0.4

Ordering information

IME08

Housing	Sensing range S_n	Installation type	Output function	Connection	Connection diagram	Model name	Part no.
M8 x 1	2 mm	Flush	NC	Cable, 2-wire, 2 m, Oil-resistant PVC	Cd-012	IME08-02BDOZY2S	1068250
				Connector M8, 3-pin	Cd-246	IME08-02BDOZT0S	1067108
			NO	Cable, 2-wire, 2 m, Oil-resistant PVC	Cd-012	IME08-02BDSZY2S	1068251
				Connector M8, 3-pin	Cd-241	IME08-02BDSZT0S	1067109
	4 mm	Non-flush	NC	Cable, 2-wire, 2 m, Oil-resistant PVC	Cd-012	IME08-04NDOZY2S	1068252
				Connector M8, 3-pin	Cd-246	IME08-04NDOZT0S	1067197
			NO	Cable, 2-wire, 2 m, Oil-resistant PVC	Cd-012	IME08-04NDSZY2S	1068253
				Connector M8, 3-pin	Cd-241	IME08-04NDSZT0S	1067177

IME12

Housing	Sensing range S_n	Installation type	Output function	Connection	Connection diagram	Model name	Part no.
M12 x 1	4 mm	Flush	NC	Cable, 2-wire, 2 m, Oil-resistant PVC	Cd-012	IME12-04BDOZY2S	1068254
				Connector M12, 4-pin	Cd-245	IME12-04BDOZC0S	1067200
			NO	Cable, 2-wire, 2 m, Oil-resistant PVC	Cd-012	IME12-04BDSZY2S	1068255
				Connector M12, 4-pin	Cd-015	IME12-04BDSZC0S	1067178
	8 mm	Non-flush	NC	Cable, 2-wire, 2 m, Oil-resistant PVC	Cd-012	IME12-08NDOZY2S	1068256
				Connector M12, 4-pin	Cd-245	IME12-08NDOZC0S	1067203
			NO	Cable, 2-wire, 2 m, Oil-resistant PVC	Cd-012	IME12-08NDSZY2S	1068257
				Connector M12, 4-pin	Cd-015	IME12-08NDSZC0S	1067180

IME18

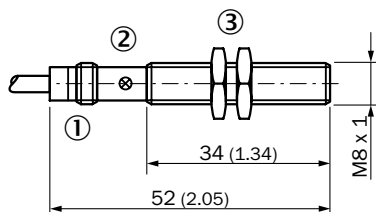
Housing	Sensing range S _n	Installation type	Output function	Connection	Connection diagram	Model name	Part no.
M18 x 1	8 mm	Flush	NC	Cable, 2-wire, 2 m, Oil-resistant PVC	Cd-012	IME18-08BDOZY2S	1068258
				Connector M12, 4-pin	Cd-245	IME18-08BDOZC0S	1067206
			NO	Cable, 2-wire, 2 m, Oil-resistant PVC	Cd-012	IME18-08BDSZY2S	1068259
				Connector M12, 4-pin	Cd-015	IME18-08BDSZC0S	1067207
	12 mm	Non-flush	NC	Cable, 2-wire, 2 m, Oil-resistant PVC	Cd-012	IME18-12NDOZY2S	1068260
				Connector M12, 4-pin	Cd-245	IME18-12NDOZC0S	1067222
NO	Cable, 2-wire, 2 m, Oil-resistant PVC	Cd-012	IME18-12NDSZY2S	1068261			
		Connector M12, 4-pin	Cd-015	IME18-12NDSZC0S	1067181		

IME30

Housing	Sensing range S _n	Installation type	Output function	Connection	Connection diagram	Model name	Part no.
M30 x 1.5	15 mm	Flush	NC	Cable, 2-wire, 2 m, Oil-resistant PVC	Cd-012	IME30-15BDOZY2S	1068263
				Connector M12, 4-pin	Cd-245	IME30-15BDOZC0S	1067226
			NO	Cable, 2-wire, 2 m, Oil-resistant PVC	Cd-012	IME30-15BDSZY2S	1068264
				Connector M12, 4-pin	Cd-015	IME30-15BDSZC0S	1067183
	20 mm	Non-flush	NC	Cable, 2-wire, 2 m, Oil-resistant PVC	Cd-012	IME30-20NDOZY2S	1068266
				Connector M12, 4-pin	Cd-245	IME30-20NDOZC0S	1067235
NO	Cable, 2-wire, 2 m, Oil-resistant PVC	Cd-012	IME30-20NDSZY2S	1068267			
		Connector M12, 4-pin	Cd-015	IME30-20NDSZC0S	1067184		

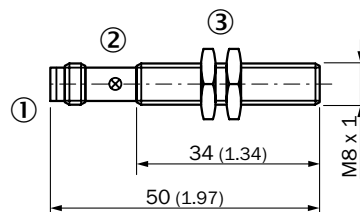
Dimensional drawings (Dimensions in mm (inch))

IME08 Standard, cable, flush



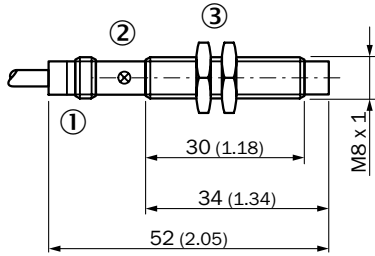
- ① Connection
- ② LED indicator
- ③ Fastening nuts (2 x); width across 13, metal

IME08 Standard, connector, flush



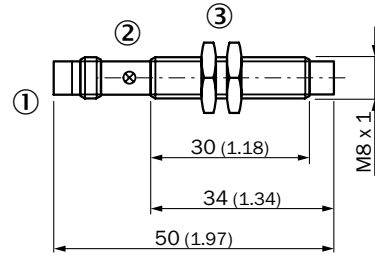
- ① Connection
- ② LED indicator
- ③ Fastening nuts (2 x); width across 13, metal

IME08 Standard, cable, non-flush



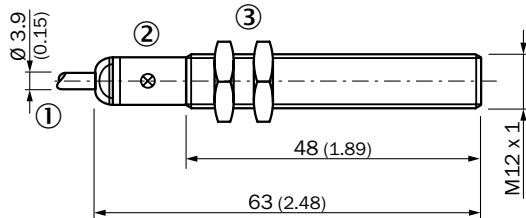
- ① Connection
- ② LED indicator
- ③ Fastening nuts (2 x); width across 13, metal

IME08 Standard, connector, non-flush



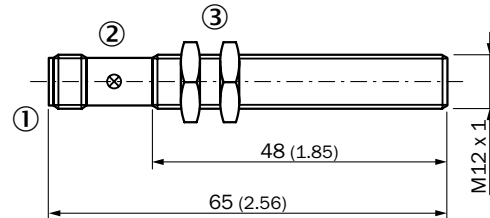
- ① Connection
- ② LED indicator
- ③ Fastening nuts (2 x); width across 13, metal

IME12 Standard, cable, flush



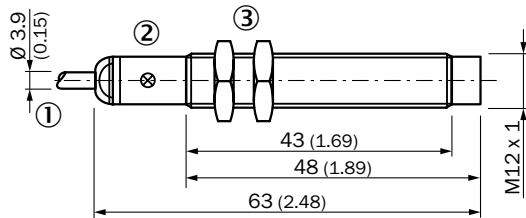
- ① Connection
- ② LED indicator
- ③ Fastening nuts (2 x); width across 17, metal

IME12 Standard, connector, flush



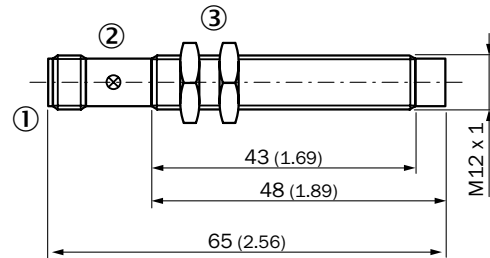
- ① Connection
- ② LED indicator
- ③ Fastening nuts (2 x); width across 17, metal

IME12 Standard, cable, non-flush



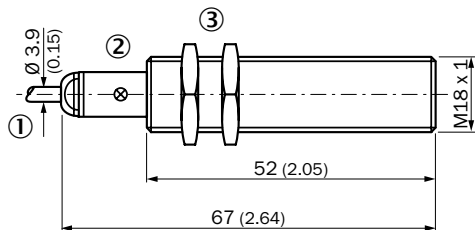
- ① Connection
- ② LED indicator
- ③ Fastening nuts (2 x); width across 17, metal

IME12 Standard, connector, non-flush



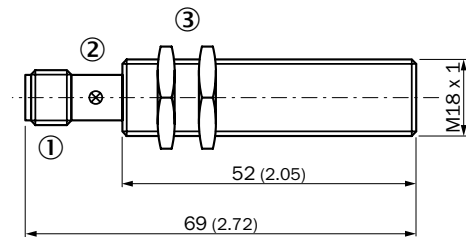
- ① Connection
- ② LED indicator
- ③ Fastening nuts (2 x); width across 17, metal

IME18 Standard, cable, flush



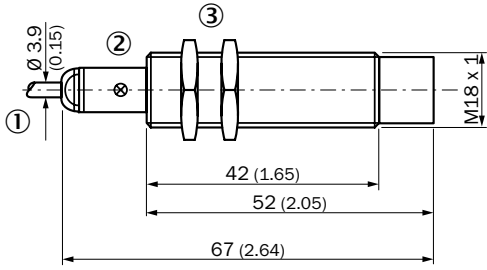
- ① Connection
- ② LED indicator
- ③ Fastening nuts (2 x); 24 mm hex, metal

IME18 Standard, connector, flush



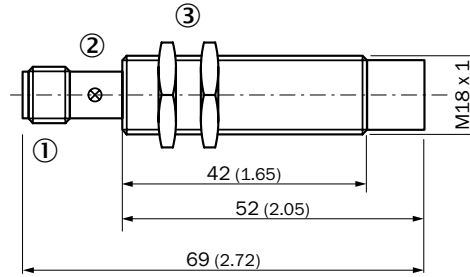
- ① Connection
- ② LED indicator
- ③ Fastening nuts (2 x); 24 mm hex, metal

IME18 Standard, cable, non-flush



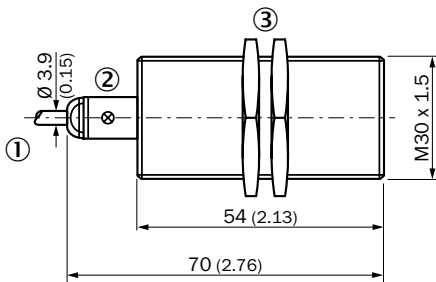
- ① Connection
- ② LED indicator
- ③ Fastening nuts (2 x); 24 mm hex, metal

IME18 Standard, connector, non-flush



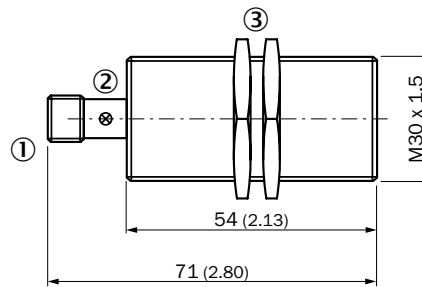
- ① Connection
- ② LED indicator
- ③ Fastening nuts (2 x); 24 mm hex, metal

IME30 Standard, cable, flush



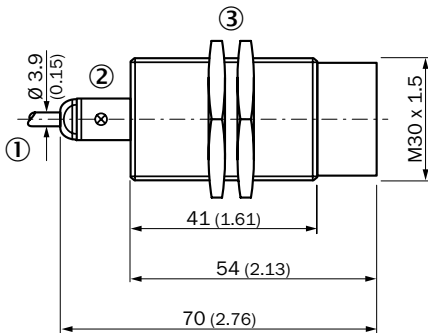
- ① Connection
- ② LED indicator
- ③ Fastening nuts (2 x); 36 mm hex, metal

IME30 Standard, connector, flush



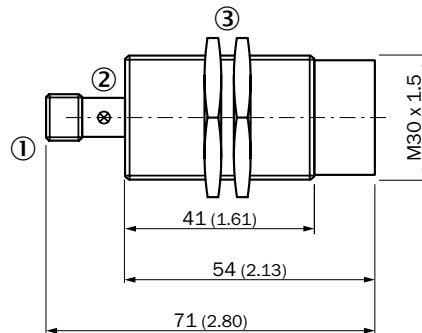
- ① Connection
- ② LED indicator
- ③ Fastening nuts (2 x); 36 mm hex, metal

IME30 Standard, cable, non-flush



- ① Connection
- ② LED indicator
- ③ Fastening nuts (2 x); 36 mm hex, metal

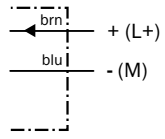
IME30 Standard, connector, non-flush



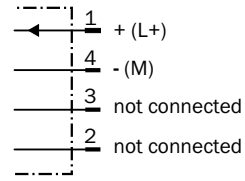
- ① Connection
- ② LED indicator
- ③ Fastening nuts (2 x); 36 mm hex, metal

Connection diagram

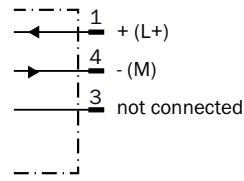
Cd-012



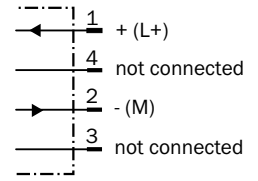
Cd-015



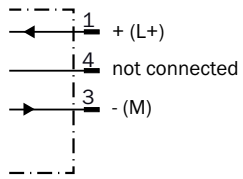
Cd-241



Cd-245

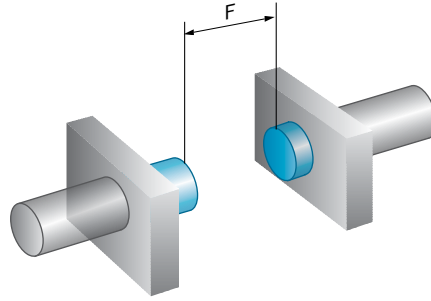
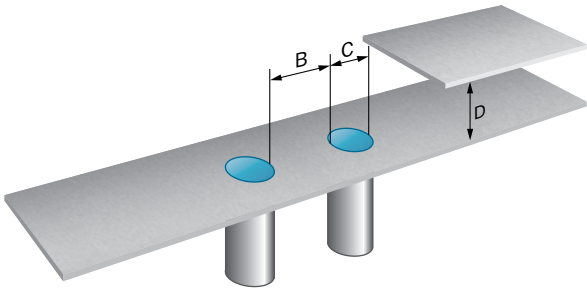


Cd-246

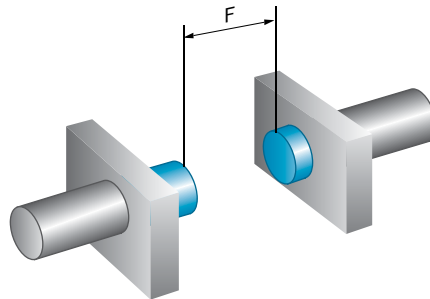
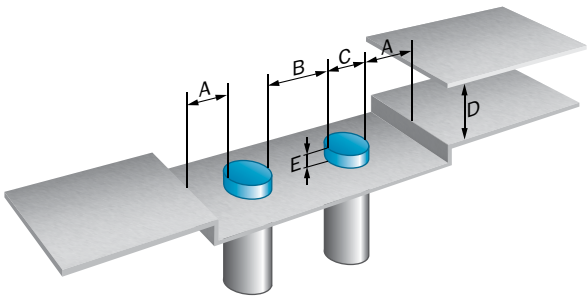


Installation note

Flush installation



Non-flush installation











	Installation type	Sensing range S_n	A	B	C	D	E	F
IME08-02Bxxxxxx	Flush	2 mm	-	16 mm	8 mm	6 mm	-	16 mm
IME08-04Nxxxxxx	Non-flush	4 mm	8 mm	18 mm	8 mm	12 mm	8 mm	32 mm
IME12-04Bxxxxxx	Flush	4 mm	-	24 mm	12 mm	12 mm	-	32 mm
IME12-08Nxxxxxx	Non-flush	8 mm	12 mm	24 mm	12 mm	24 mm	16 mm	64 mm
IME18-08Bxxxxxx	Flush	8 mm	-	36 mm	18 mm	24 mm	-	64 mm
IME18-12Nxxxxxx	Non-flush	12 mm	18 mm	36 mm	18 mm	36 mm	24 mm	96 mm
IME30-15Bxxxxxx	Flush	15 mm	-	60 mm	30 mm	45 mm	-	120 mm
IME30-20Nxxxxxx	Non-flush	20 mm	30 mm	60 mm	30 mm	60 mm	40 mm	160 mm

Recommended accessories

Mounting brackets/plates

Mounting brackets

- **Material:** Steel, zinc coated

Figure	Description	Specialty	Items supplied	Model name	Part no.	IME08	IME12	IME18	IME30
	Mounting plate for M8 sensors	Straight	Without mounting hardware	BEF-WG-M08	5321722	●	-	-	-
	Mounting plate for M12 sensors	Straight	Without mounting hardware	BEF-WG-M12	5321869	-	●	-	-
	Mounting plate for M18 sensors	Straight	Without mounting hardware	BEF-WG-M18	5321870	-	-	●	-
	Mounting plate for M30 sensors	Straight	Without mounting hardware	BEF-WG-M30	5321871	-	-	-	●
	Mounting bracket, M8 thread	-	Without mounting hardware	BEF-WN-M08	5321721	●	-	-	-
	Mounting bracket, M12 thread	Right angle	Without mounting hardware	BEF-WN-M12	5308447	-	●	-	-
	Mounting bracket, M18 thread	Angled	Without mounting hardware	BEF-WN-M18	5308446	-	-	●	-
	Mounting bracket, M30 thread	-	Without mounting hardware	BEF-WN-M30	5308445	-	-	-	●

Plug connectors and cables

Connecting cable (female connector-open)

- **Connection type head B:** cable
- **Connector material:** TPU







Figure	Connection type head A	Jacket material	Enclosure rating	Locking nut material	Specialty	Cable length	Model name	Part no.
	Female connector, M8, 3-pin, straight	PVC	IP 67	CuZn	-	2 m	DOL-0803-G02M	6010785
						5 m	DOL-0803-G05M	6022009
	Female connector, M8, 3-pin, angled	PVC	IP 67	CuZn	-	2 m	DOL-0803-W02M	6008489
						5 m	DOL-0803-W05M	6022010

Figure	Connection type head A	Jacket material	Enclosure rating	Locking nut material	Specialty	Cable length	Model name	Part no.
	Female connector, M12, 4-pin, straight	PVC	IP 67	CuZn	-	2 m	DOL-1204-G02M	6009382
						5 m	DOL-1204-G05M	6009866
	Female connector, M12, 4-pin, straight	PUR, halogen-free	IP 65, IP 68	Zinc die-cast, nickel-plated	Drag chain use	2 m	DOL-1204-G02MC	6025900
						5 m	DOL-1204-G05MC	6025901
	Female connector, M12, 4-pin, angled	PVC	IP 67	CuZn	-	2 m	DOL-1204-W02M	6009383
						5 m	DOL-1204-W05M	6009867







Universal bar clamp systems

Figure	Description	Material	Items supplied	Model name	Part no.
	Plate N10 for universal clamp bracket	Zinc plated steel (sheet), Diecast zinc (clamp)	Universal clamp, mounting hardware	BEF-KHS-N10	2062372

Terminal and alignment brackets

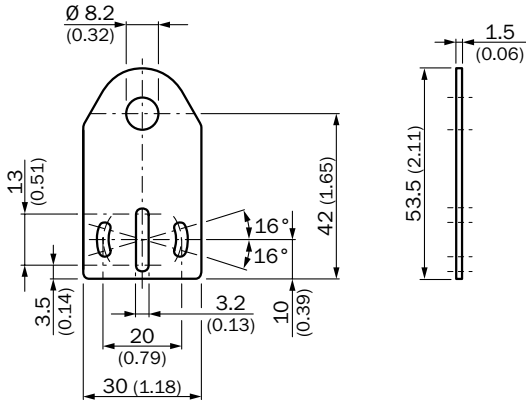
Terminal brackets

- **Material:** Plastic (PA12), glass-fiber reinforced

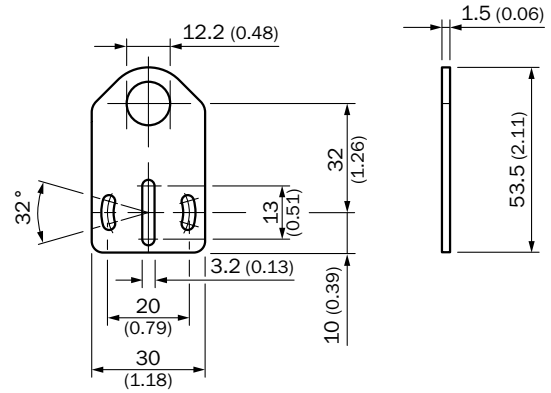
Figure	Description	Specialty	Items supplied	Model name	Part no.	IME08	IME12	IME18	IME30
	Clamping block for round sensors M8	Without fixed stop	Mounting hardware included	BEF-KH-M08	2051477	●	-	-	-
	Clamping block for round sensors M12			BEF-KH-M12	2051479	-	●	-	-
	Clamping block for round sensors M18			BEF-KH-M18	2051481	-	-	●	-
	Clamping block for round sensors M8	With fixed stop	Mounting hardware included	BEF-KHF-M08	2051478	●	-	-	-
	Clamping block for round sensors M12			BEF-KHF-M12	2051480	-	●	-	-
	Clamping block for round sensors M18			BEF-KHF-M18	2051482	-	-	●	-

Dimensional drawings mounting brackets/plates

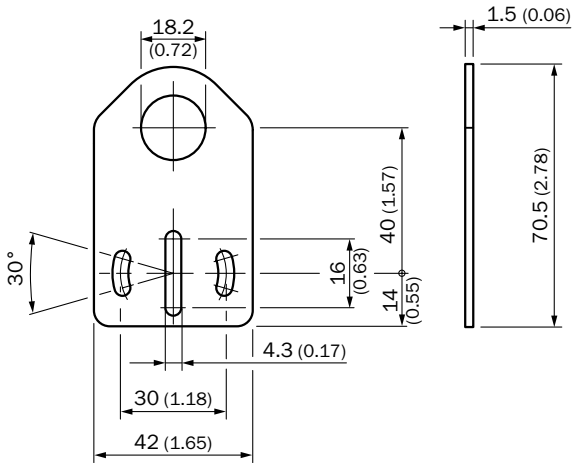
BEF-WG-M08



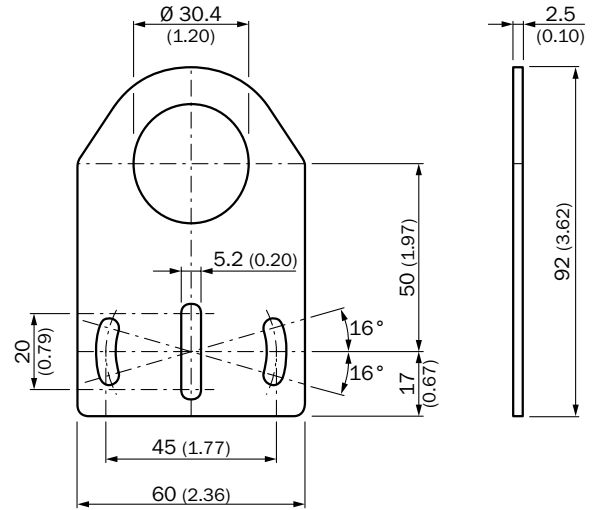
BEF-WG-M12



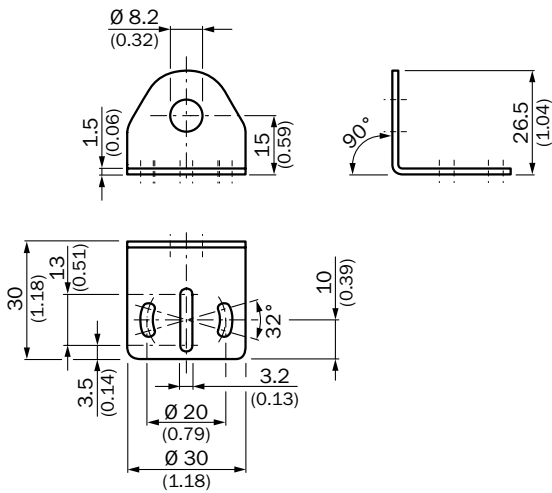
BEF-WG-M18



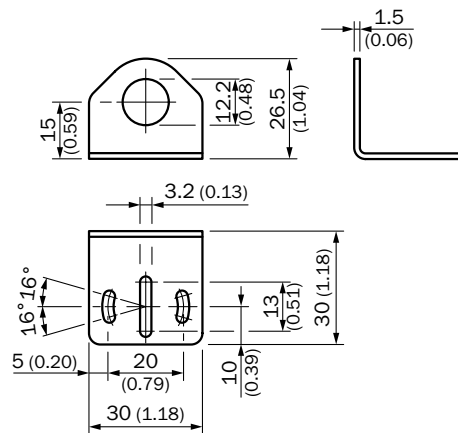
BEF-WG-M30



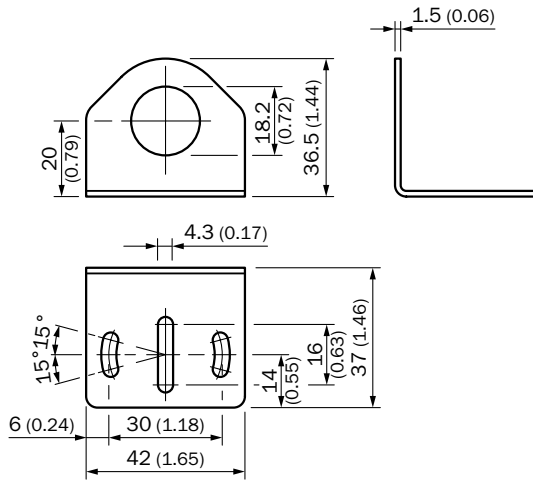
BEF-WN-M08



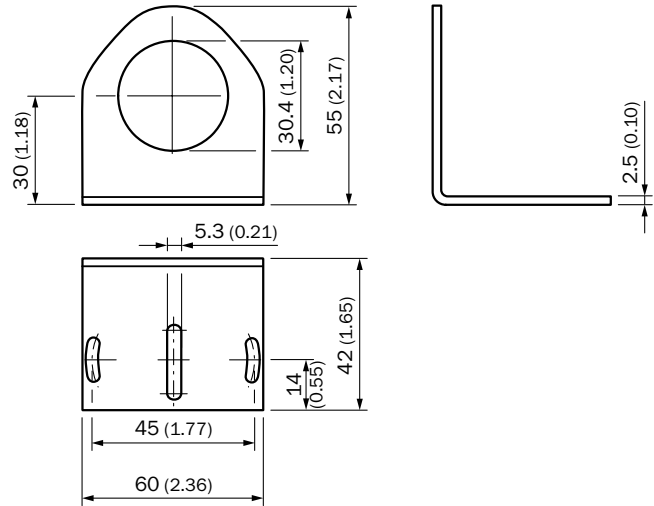
BEF-WN-M12



BEF-WN-M18

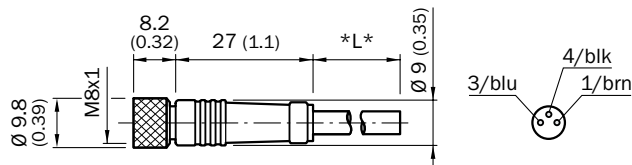


BEF-WN-M30

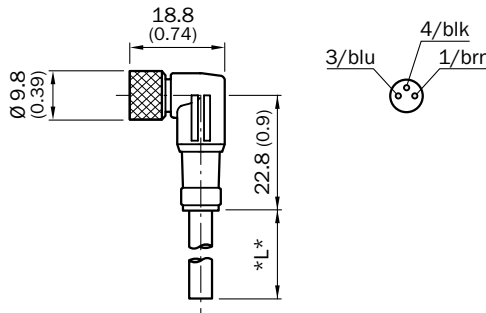


Dimensional drawings plug connectors and cables

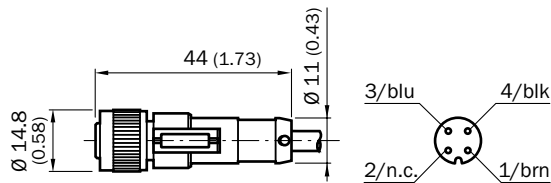
DOL-0803-GxxM



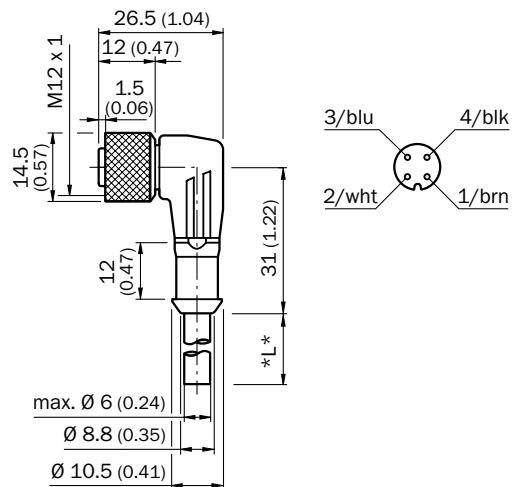
DOL-0803-WxxM



DOL-1204-GxxM; DOL-1204-GxxMC

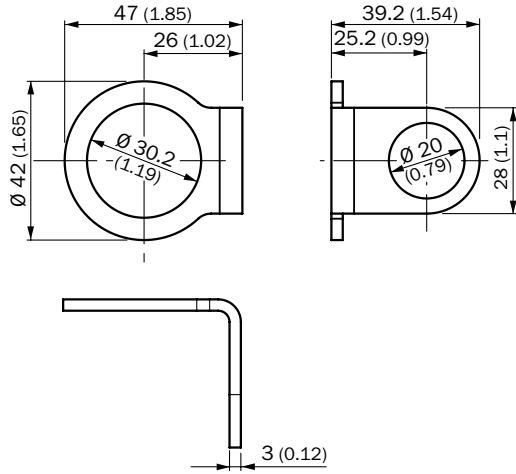


DOL-1204-WxxM



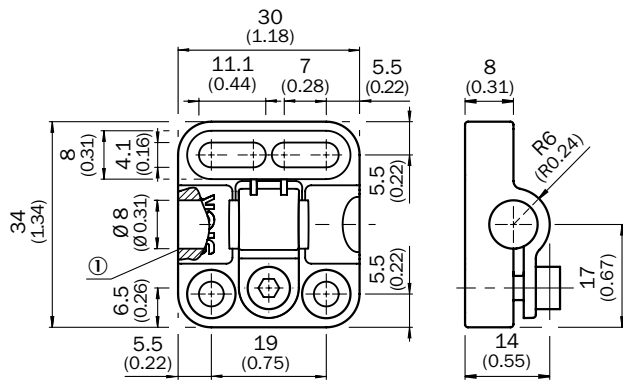
Dimensional drawings universal bar clamp systems

BEF-KHS-N10

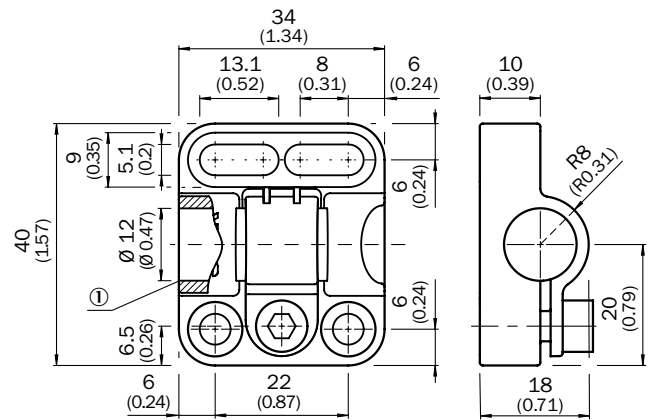


Dimensional drawings terminal and alignment brackets

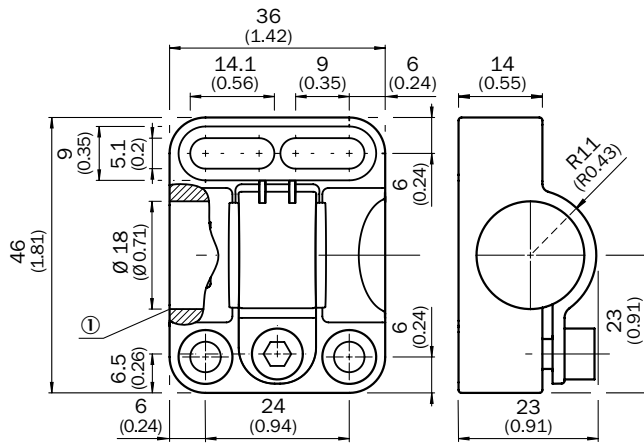
BEF-KH-M08



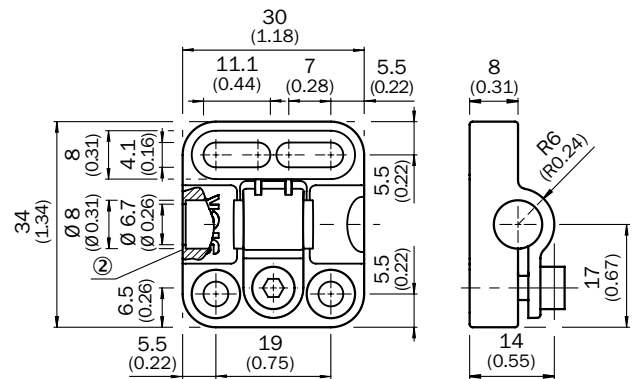
BEF-KH-M12



BEF-KH-M18



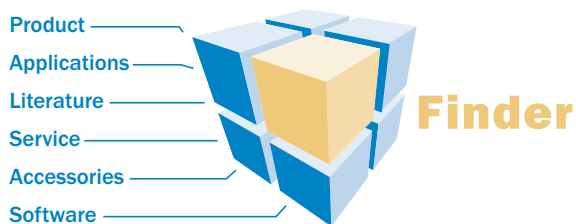
BEF-KHF-M08



① Without fixed stop

WWW.MYSICK.COM – SEARCH ONLINE AND ORDER

Search online quickly and safely - with the SICK "Finders"



Product Finder: We can help you to quickly target the product that best matches your application.

Applications Finder: Select the application description on the basis of the challenge posed, industrial sector, or product group.

Literature Finder: Go directly to the operating instructions, technical information, and other literature on all aspects of SICK products.

Efficiency – with the E-Commerce-Tools from SICK



Find out prices and availability

Determine the price and possible delivery date of your desired product simply and quickly at any time.

Request or view a quote

You can have a quote generated online here. Every quote is confirmed to you via e-mail.

Order online

You can go through the ordering process in just a few steps.

FOR SAFETY AND PRODUCTIVITY: SICK LIFETIME SERVICES

SICK LifeTime Services is a comprehensive set of high-quality services provided to support the entire life cycle of products and applications from system design all the way to upgrades. These services increase the safety of people, boost the productivity of machines and serve as the basis for our customers' sustainable business success.



Consulting & Design

Globally available experts for cost-effective solutions



Product & System Support

Fast and reliable, by telephone or on location



Verification & Optimization

Checks and recommendations for increased availability



Upgrade & Retrofits

Uncovers new potential for machines and systems



Training & Education

Employee qualification for increased competitiveness

SICK AT A GLANCE

SICK is a leading manufacturer of intelligent sensors and sensor solutions for factory, logistics, and process automation. With more than 6,000 employees and over 40 subsidiaries worldwide, we are always close to our customers. A unique range of products and services creates the perfect basis for controlling processes securely and efficiently, protecting individuals from accidents and preventing damage to the environment.

We have extensive experience in various industries and understand their processes and requirements. With intelligent sensors, we can deliver exactly what our customers need. In application centers in Europe, Asia and North America, system solutions are tested and optimized in accordance with customer specifications. All this makes us a reliable supplier and development partner.

Comprehensive services round out our offering: SICK LifeTime Services provide support throughout the machine life cycle and ensure safety and productivity.

For us, that is “Sensor Intelligence.”

Worldwide presence:

Australia, Austria, Belgium/Luxembourg, Brazil, Czech Republic, Canada, China, Denmark, Finland, France, Germany, Great Britain, Hungary, India, Israel, Italy, Japan, Mexico, Netherlands, Norway, Poland, Romania, Russia, Singapore, Slovenia, South Africa, South Korea, Spain, Sweden, Switzerland, Taiwan, Turkey, United Arab Emirates, USA

Please find detailed addresses and additional representatives and agencies in all major industrial nations at: www.sick.com