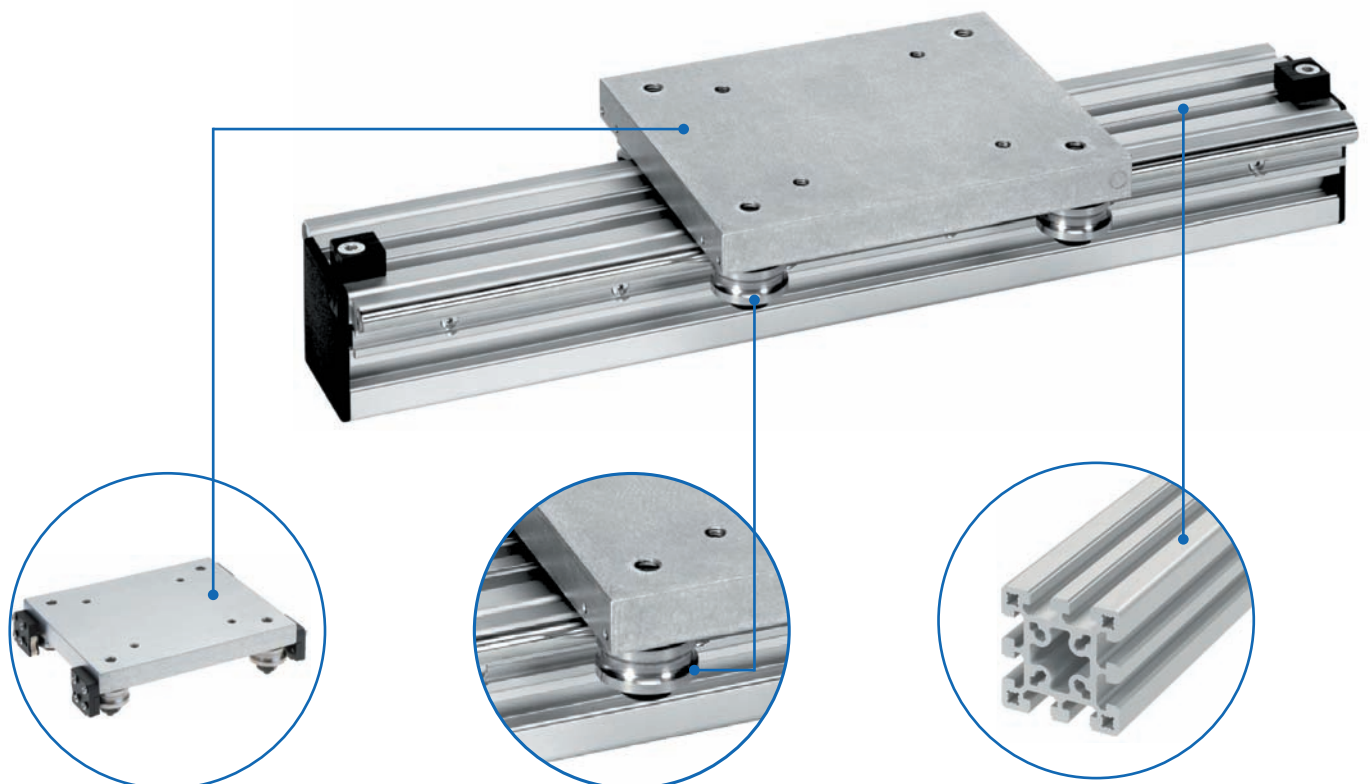


Profile guide - SQL

Low-cost guide
for medium to heavy loads



Large carriage

✓ Simple connection

Adjustable rollers

✓ Simple adjustment with zero backlash

BLOCAN basic profile

✓ Quick and easy fixing thanks to profile slots

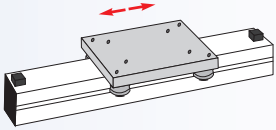
Features:

- Guide profile made using BLOCAN® slot geometry
- Large, slimline carriage

Options:

- Longer stroke lengths
- Second carriage

SQL linear guide - Table of contents

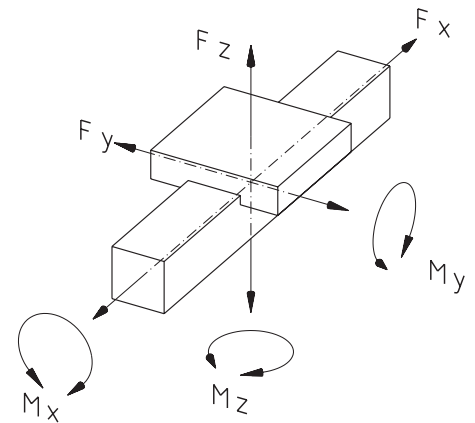
<p>Properties/Technical data</p>	<ul style="list-style-type: none"> ■ General information/operating conditions ... 174 ■ Load data..... 175
<p>Versions (Dimensions, order numbers)</p> 	<ul style="list-style-type: none"> ■ SQL linear guide..... 176 - 177
<p>Accessories</p> <p style="text-align: right;">Drive</p>	<ul style="list-style-type: none"> ■ Carriage 178 ■ Wiper set 178

General information/operating conditions

Design	Guide element made using BLOCAN® profile, slimline carriage
Guide	Adjustable roller guide
Installation position	Any position
Ambient temperature	0°C to +60°C

Load data*

- F Force [N]
M Moment [Nm]
I Geometric moment of inertia [cm⁴]



* With reference to carriage (static values, guide element resting on full surface)

Type	Fy	Fz	Mx	My	Mz
SQL 40 x 80	1500	1000	50	70	140
SQL 60	2500	1500	66	95	169
SQL 60 x 120	2500	1500	66	95	169
SQL 80 x 40	2500	1500	82	88	200
SQL 80	2500	1500	82	113	200
SQL 80 x 160	2500	1500	82	113	200
SQL 120 x 60	2500	1500	100	121	243
SQL 160 x 80	2500	1500	134	82	243

Geometric moment of inertia

 [cm⁴]

Type	Iy	Iz
SQL 40 x 80	19.4	76.0
SQL 60	51.2	51.2
SQL 60 x 120	94.7	372.3
SQL 80 x 40	76.0	19.4
SQL 80	155.3	155.3
SQL 80 x 160	292.4	1090.0
SQL 120 x 60	372.3	94.7
SQL 160 x 80	1090.0	292.4

SQL - Versions

Order information:

- Longer travel lengths on request

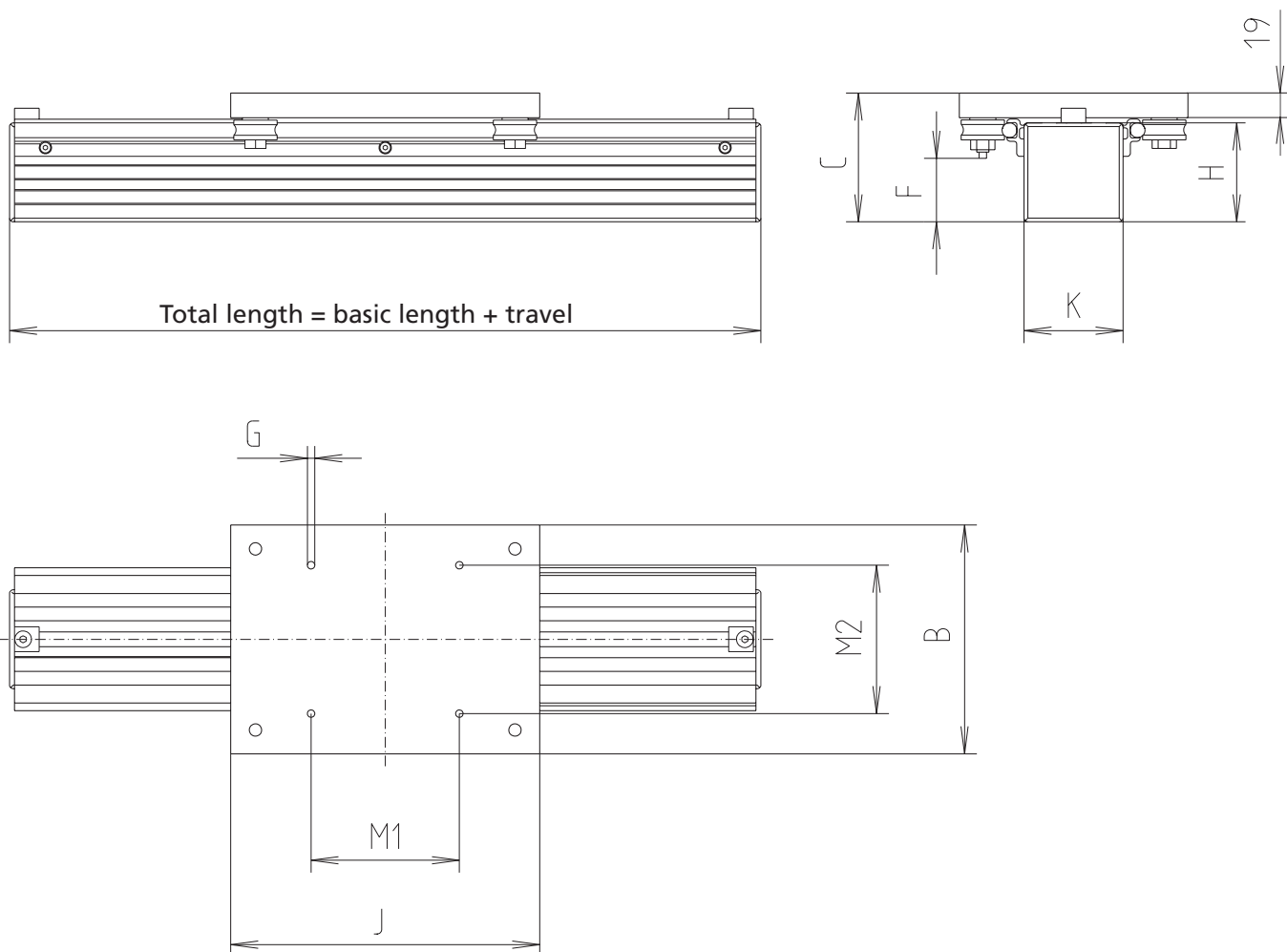
Version

■ Guide



Code No.	Type	Basic length	B	C	F	G	H
MCA4040AA	SQL 40 x 40	250	145	64	11	M8-20 deep	40
MCA4080AA	SQL 40 x 80	250	145	104	51	M8-20 deep	80
MCA6060AA	SQL 60	250	165	84	31	M8-20 deep	60
MCA6012AA	SQL 60 x 120	250	165	144	91	M8-20 deep	120
MCA8040AA	SQL 80 x 40	300	185	64	11	M8-20 deep	40
MCA8080AA	SQL 80	300	185	104	51	M8-20 deep	80
MCA8016AA	SQL 80 x 160	300	185	184	131	M8-20 deep	160
MCA1260AA	SQL 120 x 60	350	225	84	31	M8-20 deep	60
MCA1680AA	SQL 160 x 80	400	265	104	51	M8-20 deep	80

----- Total length = basic length + travel [mm]



[mm]

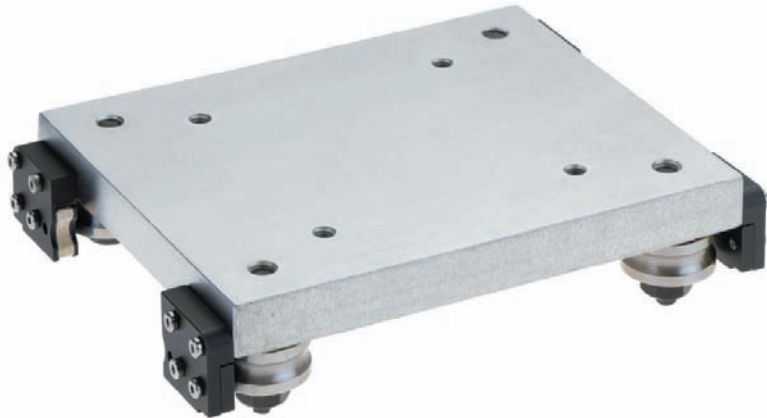
J	O	M1	M2	Max. travel	Mass [kg]	
					Basic length	per 100 mm travel
200	40	80	80	5750	3.61	0.65
200	40	80	80	5750	4.00	0.65
200	60	100	100	5750	4.18	0.72
200	60	100	100	5750	5.07	1.06
250	80	120	120	5700	4.63	0.65
250	80	120	120	5700	5.94	1.00
250	80	120	120	5700	7.50	1.52
300	120	245	160	5650	5.07	1.06
350	160	285	200	5600	7.50	1.52

Carriage

- Suitable for SQL manufactured from 03/96 onwards

Material: Al Mg Si, vibratory finished

Scope of delivery: Complete with mounting screws, wipers and rollers



Code No.	Type
94451	SQL 40/40 x 80
94452	SQL 60/60 x 120
94453	SQL 80 x 40
94454	SQL 80/80 x 160
94455	SQL 120 x 60
94456	SQL 160 x 80

Wiper set

- Complete upgrade kit for SQL carriage.
- The wipers can be screwed to the existing carriage without the need for any modification (on devices manufactured from 06/96 onwards).

Scope of delivery: Complete set for one carriage, 2 x left wipers, 2 x right wipers with fastenings



Code No.	Type
93921	All SQL

