

# 702M12-W Industrial Wireless Radio

N-Tron Networking Series



## ▶▶▶ Industrial Wireless Radio

The N-TRON® 702M12-W Industrial Wireless Radio offers outstanding performance and ease of use. It is ideally suited for connecting wireless devices to a wired network or for connecting two wired networks in an IP67 environment, where it is not possible, impractical, or too expensive to install cable.

For these situations, including related mobile applications, the wireless 702M12-W industrial radio is the perfect solution—a rugged, high performance network connection that can be quickly and easily deployed.

### Product Features

- Full IEEE 802.11a,b,g,n Compliance
- IP67 Rated, Industrial Hardened Enclosure
- One 10/100BaseTX M12 Port
- Three Antennas for 3x3 MIMO Operations
- Four user definable LED's for display of signal quality
- Radio Enable, Link/Activity, and power LEDs
- Station roaming
- 802.3af PoE Powered Device
- Extended Environmental Specifications
- Autosensing 10/100BaseTX, Duplex, and MDIX
- Redundant Power Inputs (10-49 VDC)
- Web Browser Management

### Wireless Compliance:

- IEEE 802.11a/b/g/n Compliant

### Security:

- 802.11i with AES-CCM & TKIP Encryption
- 802.1x, 64/128 bit WEP

### Data Rates:

- Legacy 802.11a/b/g (1-54Mbps)
- 802.11n (up to 300Mbps)

### Range Performance:

- Indoor (Antenna Dependent) greater than 300m
- Outdoor (Antenna Dependent) greater than 60km

### Overview

The 702M12-W radio features a combination of powerful technologies that enable fast setup and optimized operation. Power over Ethernet (PoE) capability allows the 702M12-W to receive both power and data over a Cat5e cable from a PoE device\*, eliminating the need for additional cables or power supplies. For convenience, autosensing capabilities intuitively detect network speed and operation. The unit includes three antennas for Multiple-In, Multiple-Out (MIMO) performance, a smart antenna technology that maximizes throughput.

\*The N-Tron 105TX-POE switch is an excellent device for this application.

N-Tron 702M12-W with its three dual band antennas



### Industrial Packaging and Specifications

The 702M12-W is specifically designed to operate in harsh industrial environments. With its rugged IP67-rated enclosure and industrial specifications, such as expanded tolerances to dust, wash down, vibration, temperature and EMI, plus redundant power inputs, the 702M12-W easily meets and exceeds the operating parameters of connected network equipment.

### Multiple Wireless Modes

The 702M12-W can be configured to suit specific application requirements.

**Station:** In **Station** configuration the 702M12-W is used to connect a single device (MAC Address) to a wireless access point.

**Station, WDS (Wireless Distribution System):** In **Station, WDS** mode the 702M12-W can be connected to a remote wired switch and will allow multiple devices (MAC Address forwarding) to be connected to the wireless access point with WDS activated.

**Access Point:** The **Access Point** configuration allows the 702M12-W to serve as a wireless switch for the attached wireless stations. Wireless access points are commonly used to create one wireless local area network (WLAN) that spans an area around the Access Point. Each access point typically supports up to 253 stations.

**Access Point, WDS (Wireless Distribution System):** The 702M12-W in **Access Point, WDS** mode allows wireless connection of a number of access points to extend the coverage of the wireless network. The main base Access Point in WDS mode is extended using a series of relay Access Points in WDS mode (Extended Service Set) and can in turn form a WLAN consisting of thousands of stations. All stations should be configured in **Station WDS** mode. Correctly configured switches will create a single network, providing station mobility throughout the wireless network.

### Multiple Network Modes

**Bridge:** The 702M12-W will operate in Layer 2 without network segmentation.

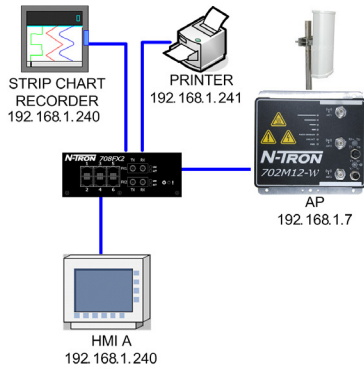
**Router:** The 702M12-W offers Layer 3 routing to allow network segmentation.

# 702M12-W Specifications

## Scenario 1 – Basic Bridge

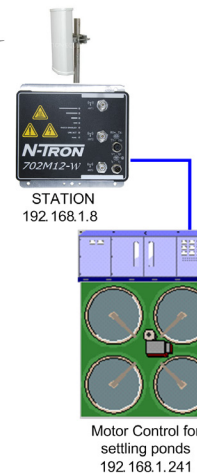
Access Point:

The **Access Point** mode allows the 702M12-W to serve as a wireless switch for the wireless stations attached to it.



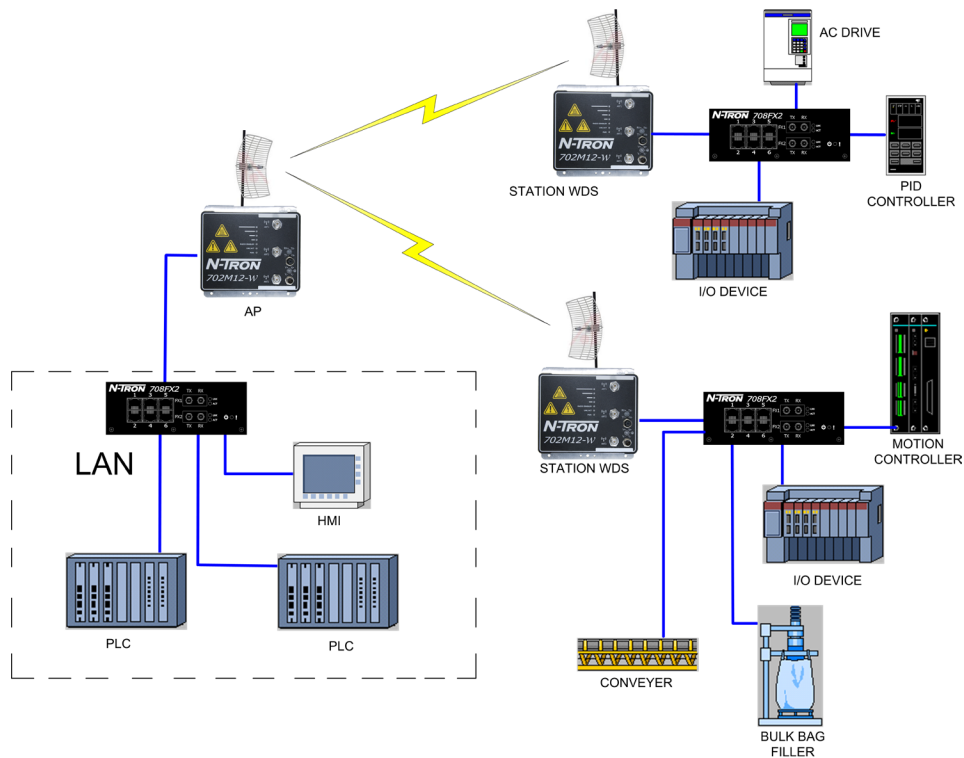
Station:

In **Station** configuration the 702M12-W is used to connect a single device (MAC Address) to a wireless access point.



For added security, the 702M12-W supports WEP, WPA™, and WPA2™. WPA and WPA2, TKIP (Temporal Key Integrity Protocol) and CCMP (Counter Mode with Cipher Block Chaining Message Authentication Code Protocol) are available.

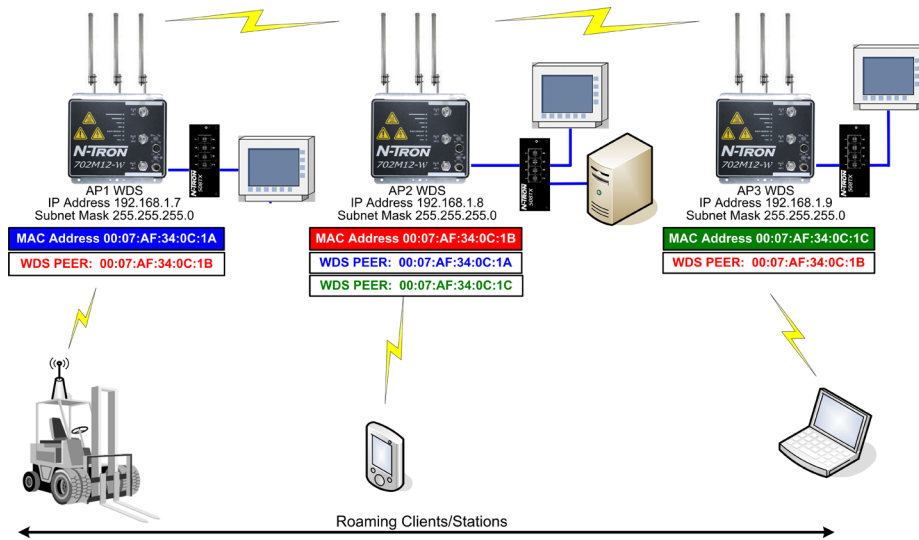
## Scenario 2 – Control Network



In **Station WDS** mode the 702M12-W can be connected to a remote wired Ethernet switch with multiple devices connected to the switch.

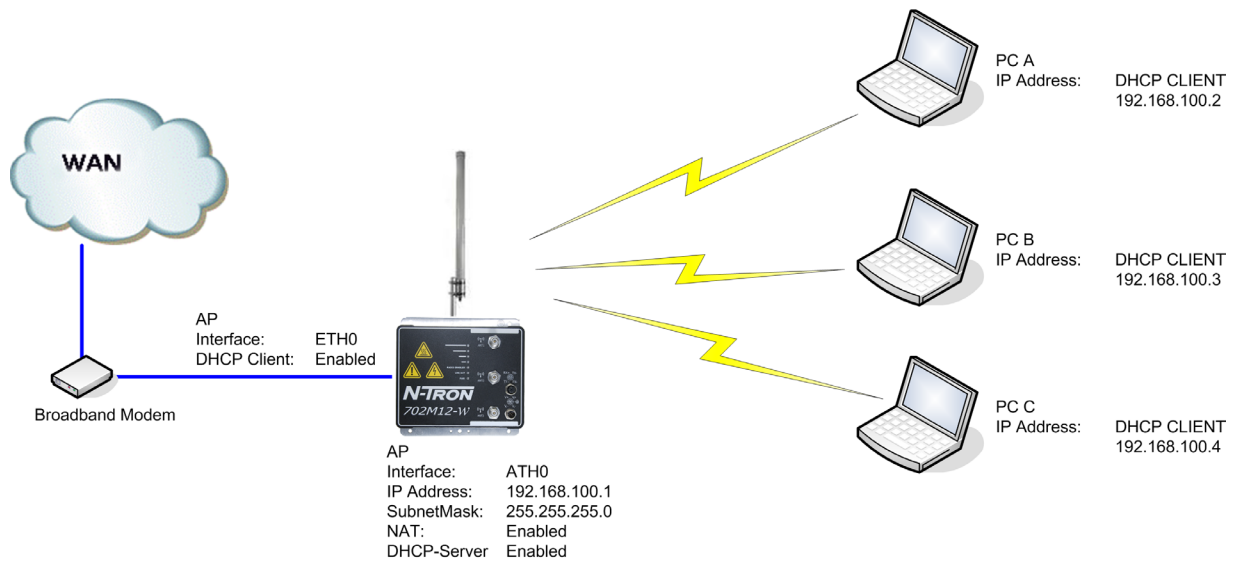
# 702M12-W Specifications

## Scenario 3 – WDS Peering



In this scenario, each 702M12-W has been configured as a peer of selected other 702M12-W(s) by using the MAC Addresses of the select unit(s). This allows forklifts, or other mobile wireless devices, to maintain communication seamlessly as they move from the area covered by one 702M12-W into the area covered by the next 702M12-W.

## Scenario 4 – Broadband Modem Wireless Router (W/ DHCP)



When configured as a router, the N-TRON 702M12-W can act as a DHCP server. It supports Network Address Translation (Masquerade), a feature widely used by Access Points. This automates the assigning of IP addresses to devices as they connect. NAT will act as a firewall between LAN and WLAN networks. Additional firewall settings can be configured for Layer 3 packet filtering and access control in Router mode.

## Specifications

### Case Dimensions

Height: (w/o antennas) 6.7" (17.2 cm)  
 Width: 6.7" (17.2 cm)  
 Depth: 1.8" (4.6 cm)  
 Weight (max): 3.5 lbs (1.6 kg)

### Environmental

Operating Temperature: -40°C to 80°C  
 Storage Temperature: -40°C to 85°C  
 Operating Humidity: 5% to 100% (non condensing)  
 Operating Altitude: 0 to 10,000 ft.  
 N-TRON Power Supply: NTPS-24-1.3

### Electrical

Redundant Input Voltage: 10-49 VDC (regulated)  
 Input Current (max): 200mA max @ 24 VDC  
 702M12-W Max Power: 4.8 watts max  
 Input Ripple: Less than 100mV

### Reliability

MTBF: >1 million hours

### Network Media

10BaseT: ≥Cat3 cable  
 100BaseTX: ≥Cat5 cable  
 802.11abgn: Air

### Connectors

10/100BaseTX: One (1) M12 copper port  
 PoE-powered device support  
 802.11abgn: (3) RP-TNC connectors

### Recommended Wiring Clearance (Antenna Dependent)

Front: 4" (10.16 cm)  
 Side: 4" (10.16 cm)  
 Top: 6" (15.24 cm)

### Regulatory Approvals

Safety:

- UL 508
- ANSI/ISA-12.12.01-2013, Class I and II, Division 2 and Class III, Divisions 1 and 2 Groups A, B, C and D Hazardous Locations
- C22.2 No. 14
- C22.2 No. 213-M1987 Class I, Division 2 Hazardous Locations
- Temperature code T4A

### EMI/EMC

- FCC/CE
- ANSI C63.4-2003
- CFR 47, Part 15, Subpart B
- Industry Canada ICES-003 Issue 3

### Radio Output Power

Up to 250mW US

802.11a	5GHz
DataRate	Avg TX ±2dB
1-24Mbps	24 dBm
36Mbps	22 dBm
48Mbps	20 dBm
54Mbps	19 dBm

802.11b/g	2.4GHz
DataRate	Avg TX ±2dB
1-24Mbps	24 dBm
36Mbps	22 dBm
48Mbps	20 dBm
54Mbps	19 dBm

802.11n	2.4GHz	5GHz
DataRate	Avg TX ±2dB	
MCS0	24dBm	24dBm
MCS1	24dBm	24dBm
MCS2	24dBm	24dBm
MCS3	22dBm	22dBm
MCS4	22dBm	22dBm
MCS5	22dBm	22dBm
MCS6	18dBm	18dBm
MCS7	15dBm	15dBm
MCS8	24dBm	24dBm
MCS9	24dBm	24dBm
MCS10	22dBm	22dBm
MCS11	20dBm	20dBm
MCS12	20dBm	20dBm
MCS13	17dBm	17dBm
MCS14	17dBm	17dBm
MCS15	15dBm	15dBm

### Radio Receiver Sensitivity

802.11a	5GHz
DataRate	Sens. ±3dB
1-24Mbps	-96 dBm
36Mbps	-95 dBm
48Mbps	-94 dBm
54Mbps	-91 dBm

802.11b/g	2.4GHz
DataRate	Sens. ±3dB
1-24Mbps	-97 dBm
36Mbps	-90 dBm
48Mbps	-86 dBm
54Mbps	-84 dBm

802.11n	2.4GHz	5GHz
DataRate	Sens. ±3dB	
MCS0	-97dBm	-96dBm
MCS1	-96dBm	-95dBm
MCS2	-93dBm	-92dBm
MCS3	-91dBm	-90dBm
MCS4	-87dBm	-86dBm
MCS5	-84dBm	-83dBm
MCS6	-78dBm	-77dBm
MCS7	-75dBm	-74dBm
MCS8	-96dBm	-95dBm
MCS9	-94dBm	-93dBm
MCS10	-91dBm	-90dBm
MCS11	-88dBm	-87dBm
MCS12	-85dBm	-84dBm
MCS13	-80dBm	-79dBm
MCS14	-79dBm	-78dBm
MCS15	-76dBm	-75dBm

- R&TTE directive 99/5/EC
- EN 301 489-3 V1.4.1 with respect to EN 301 489-1 V1.6.1
- IEC 61000-4-2
- IEC 61000-4-3

### Rail

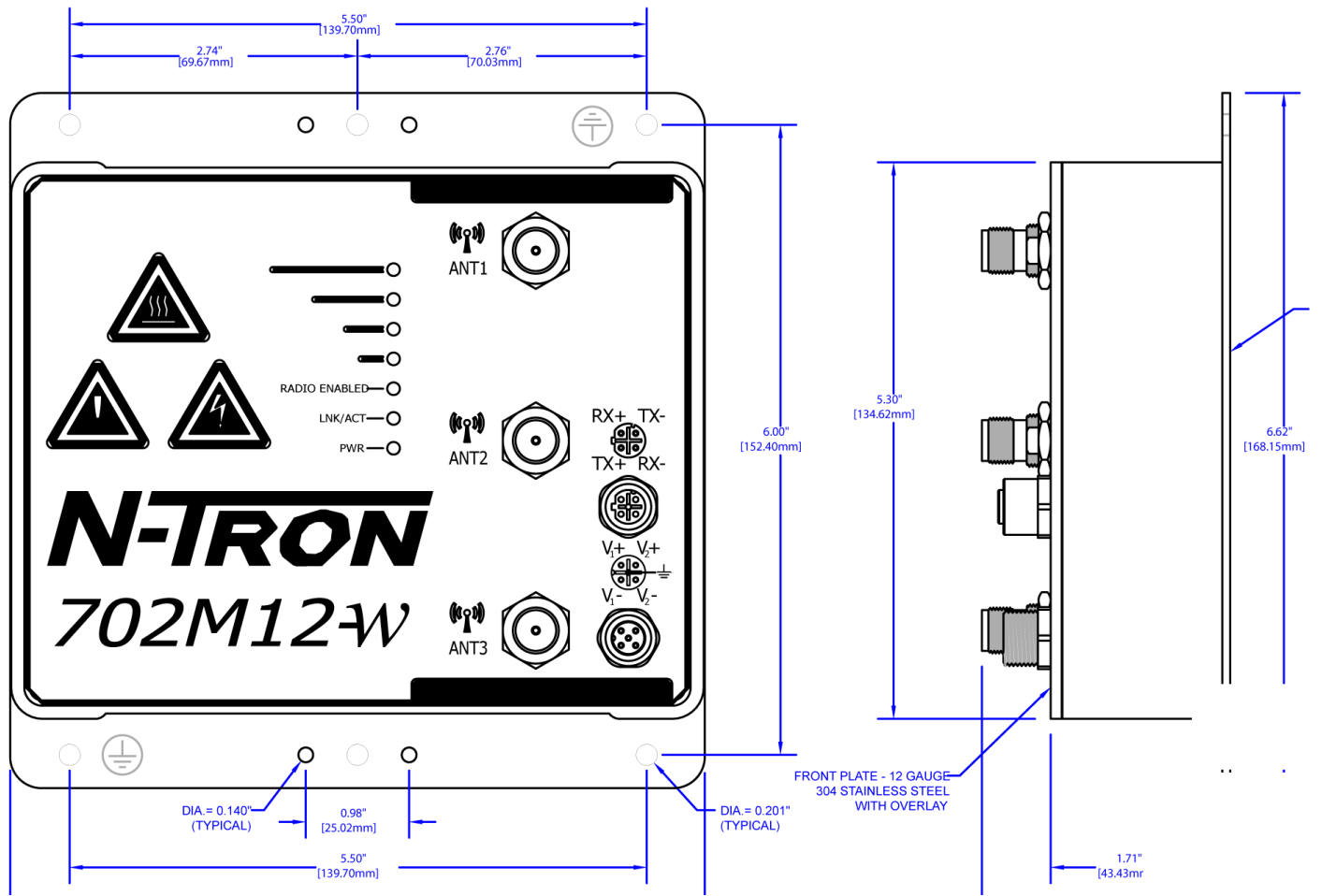
- EN 50155, EN 50121 and EN 61373
- GOST-R certified, RoHS compliant

Designed to comply with:

IEEE 1613 for Electric Utility Substations  
 NEMA TS1/TS2 for Traffic Control



# 702M12-W Specifications



702M12-W shown without antennas

# ▶▶▶ 702M12-W Specifications

PART NUMBER	DESCRIPTION
702M12-W	IP67-rated 1-port (10/100BaseTX w/M12 D-coded female connectors) Industrial Wireless Radio with three MIMO antennas, bulkhead mountable
702M12-PK	Pole Mount Kit for 702M12-W Radio
ANT-CAB-400-N-RPTNC-X	Low Loss Coaxial Antenna Cable (1 RP-TNC and 1 N-male connector)
ANT-MD24-12	2.4GHz 12dBi Mini Directional Antenna
ANT-PAD24-14	2.4GHz 14dBi Directional Antenna
ANT-PAD58-20	5.8GHz 20dBi Directional Antenna
ANT-PD58-32	5.8 GHz Parabolic Dish 32dBi Directional Antenna
ANT-LA6-NFF	2-6GHz quarter wave lightning arrestor. N-female to N-female, less than 0.2dB insertion loss, IP65, -40 to 85°C
ANT-CAB-400-N-X	Low loss CA-400 coaxial cable with (2) N-male connectors for use with ANT-LA6-NFF lightning arrestor
M12DRC-ISO	DIN-Rail Kit, two isolated plastic clips
M12DRC-MTL	DIN-Rail Kit, two metal clips
NTPS-24-1.3	DIN-Rail Power Supply 24V@1.3 Amp

### Cables with M12 connectors

CAT5E-M12-M12-X	Straight M12 to straight M12, shielded
CAT5E-M12-RJ45-X	Straight M12 to RJ-45, shielded
CAT5E-M12-X	Straight M12 to bare-end, shielded
CAT5E-RM12-M12-X	90° M12 to straight M12, shielded
CAT5E-RM12-RM12-X	90° M12 to 90° M12, shielded
CAT5E-RM12-RJ45-X	90° M12 to RJ-45, shielded
CAT5E-RM12-X	90° M12 to bare-end, shielded
PWR-M12-A-X	Power Cable, M12 A-coded, straight female to bare-end, shielded
PWR-RM12-A-X	Power Cable, M12 A-coded, 90° female to bare-end, shielded

Where: X = length of cable, fill in desired amount in feet. Example: CAT5E-RM12-10 (-10=10 ft cable)



[www.redlion.net](http://www.redlion.net)

**Connect. Monitor. Control.**

**Americas**  
sales@redlion.net

**Asia-Pacific**  
asia@redlion.net

**Europe  
Middle East  
Africa**  
europe@redlion.net

**+1 (717) 767-6511**

As the global experts in communication, monitoring and control for industrial automation and networking, Red Lion has been delivering innovative solutions for over forty years. Our award-winning technology enables companies worldwide to gain real-time data visibility that drives productivity. Product brands include Red Lion, N-Tron and Sixnet. With headquarters in York, Pennsylvania, the company has offices across the Americas, Asia-Pacific and Europe. For more information, please visit [www.redlion.net](http://www.redlion.net). Red Lion is a Spectris company.