

Select these output modules when...

...modularity and the convenience of pre-wired field terminals will reduce your panel wiring.

- Optical isolation on each channel for best reliability
- High current outputs drive power loads
- AC outputs will drive a size 4 motor starter (40 HP)
- Surge suppressors safely clamp inductive loads
- Watchdog output monitors system status



Performance Specifications

	ST-DO-DC1-08	ST-DO-DC3-08	ST-DO-AC1-08	ST-DO-AC2-08
Number of channels	8	8	8	8
Minimum output voltage	0 VDC	60 VDC	16 VAC	140 VAC
Maximum output voltage	60 VDC	150 VDC	140 VAC	265 VAC
Minimum load current (per output)	0.1 mA	0.1 mA	10 mA	10 mA
Maximum load current (per output)				
at 50°C	2 Amps	1.5 Amps	2 Amps	2 Amps
at 70°C	2 Amps	1 Amp	1.5 Amps	1.5 Amps
Maximum current load (per module):				
Field Base	10 Amps	8 Amps	8 Amps	8 Amps
Universal Base	16 Amps	12 Amps	8 Amps	8 Amps
Maximum OFF state leakage current	0.01 mA	0.01 mA	2 mA	2 mA
Inrush current (100 mS surge)	10 Amps	10 Amps	6 Amps	6 Amps
Typical ON resistance	0.15 Ohms	0.25 Ohms	–	–
Typical ON voltage drop (@ 1 Amp)	0.15 VDC	0.3 VDC	1.0 VAC	1.0 VAC
Channel to channel isolation w/U base	500 V	500 V	500 V	500 V
Maximum ST-Bus power	600 mW	Note: The first output may be configured as a system performance watchdog. ON = OK.		
Isolation (input to ST-Bus)	1200 V			
Operating temperature range	-30 to 70°C			
Storage temperature range	-40 to 85°C			
Humidity (non-condensing)	5 to 95%			

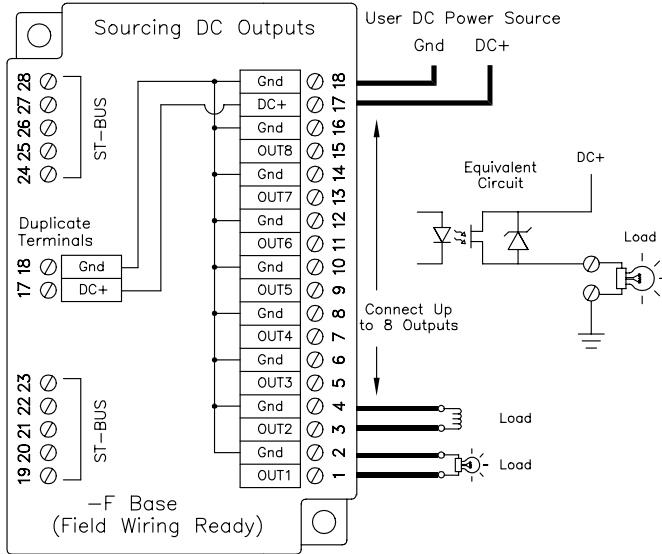
Ordering Information

Input Range	Field Wiring Base	Universal Wiring Base	Replacement Module
0-60 VDC	ST-DO-DC1-08F	ST-DO-DC1-08U	ST-DO-DC1-08M
60-150 VDC	ST-DO-DC3-08F	ST-DO-DC3-08U	ST-DO-DC3-08M
16-140 VAC	ST-DO-AC1-08F	ST-DO-AC1-08U	ST-DO-AC1-08M
140-265 VAC	ST-DO-AC2-08F	ST-DO-AC2-08U	ST-DO-AC2-08M

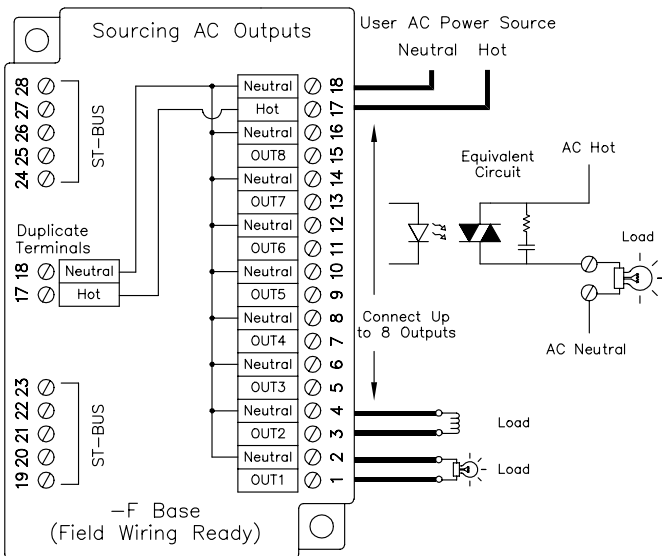
Select a Field Wiring Ready Base when...

...pre-wired field terminals will save you design, panel wiring and installation time.

Sourcing DC outputs:



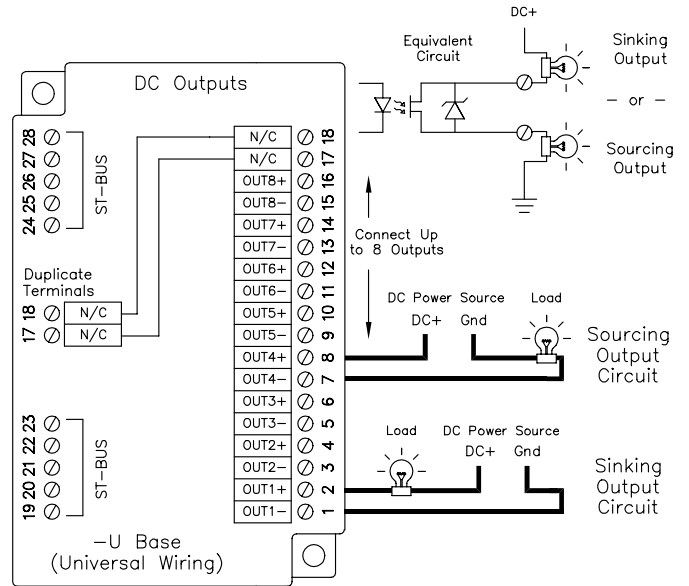
Sourcing AC outputs:



Select a Universal Base when...

...you need the flexibility of floating outputs that adapt to your special wiring requirements.

For special DC applications:



For special AC applications:

