

#### PRODUCT HIGHLIGHTS

- Low power RTU for small sites
- I/O with a RS232 connection
- Modbus RS485 combination I/O
- Expansion for EtherTRAK I/O
- Supports radio packeting and phone link
- DIN rail or direct panel mounting
- Rugged Lexan™ packaging
- Hot swappable modules (auto-reconfigure)

#### SERIAL COMMUNICATIONS

- RS485 or RS232 (selectable)
- Protocols supported Modbus ASCII & RTU, SIXNET
- RS485 2 wire with optional line termination
- RS232 TD, RD, and RTS (key a modem to transmit)
- Supported baudrates 2400, 9600, 19200, 38400, 57600
- Factory default 9600 baud, no parity, 8 data bits, SIXNET protocol

#### DISCRETE INPUTS

- 8 channels discrete input
- Voltage range 10-30 VDC
- Guaranteed ON voltage 9 VDC
- Maximum voltage 30 VDC
- Guaranteed OFF voltage and current 5.0 VDC & 1.5 mA DC
- Input resistance 10K Ohms
- Input current @ 24 VDC 3 mA
- Filtered ON/OFF delay 25 mS (20 Hz max. counting)
- Fast ON/OFF delay 4 mS (100 Hz max. counting)
- Counters functions (all 8 inputs) pulse accumulation (count up) pulse rate (pulses per sec. or min.) running time (in sec. or minutes)
- Count Rate 100 Hz. (or 20 Hz. when filtered) 10 KHz on channels 1 and 2

#### DISCRETE OUTPUTS

- 4 channels discrete output
- Voltage range 10-30 VDC
- Maximum output per channel 1 Amp
- Maximum output per module 8 Amps
- Max. OFF state leakage 0.05 mA
- Minimum load 1 mA
- Inrush current (100 mS surge) 5 Amps
- Typical ON resistance 0.2 Ohms
- Typical ON voltage (@1A) 0.2 VDC



#### ANALOG INPUTS

- 4 channels
- Standard range 4-20 mA
- A/D resolution 16 bits (0.003%)
- Full scale accuracy +/-0.1% (@20°C)
- Span and offset temp. coefficient +/-50 ppm per °C
- Input impedance 100 Ohm
- Current protection Self-resetting fuses
- DMRR (differential mode rejection) 66 dB at 50/60 Hz

#### ENVIRONMENTAL

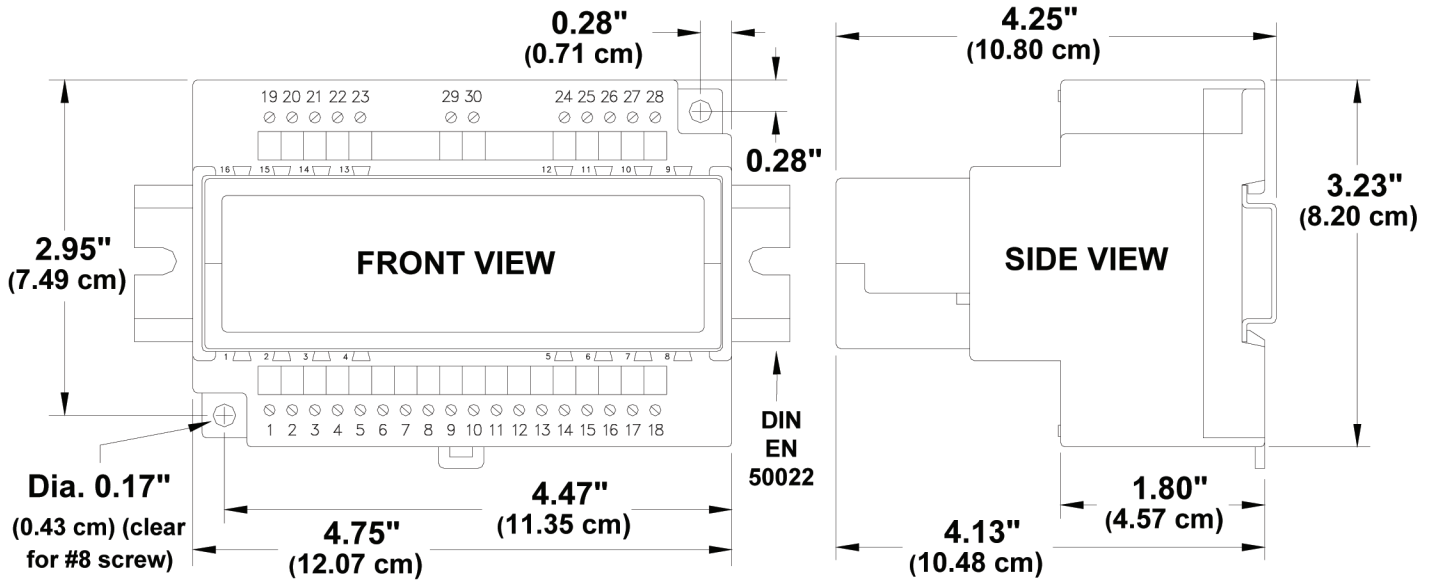
- DIN rail or flat panel mount
- Input voltage 10-30 VDC
- Input power 500 mW typical
- Operating temperature range -40 to +70°C
- Storage temperature range -40 to +85°C
- Humidity (non-condensing) 5 to 95% RH
- Vibration IEC68-2-6
- Electrical safety UL508, CSA C22.2/14; EN61010
- EMI emissions FCC part 15, ICES-003, EN55022
- EMC immunity EN50082-1, EN61326-1
- Hazardous locations
- (Class 1, Div 2 and Zone 2)
- UL1604, CSA C22.2/213, EN50021, EEx nA II T4 X
- Marine/offshore tested and/or verified to meet various marine and maritime standards

#### ORDERING INFORMATION

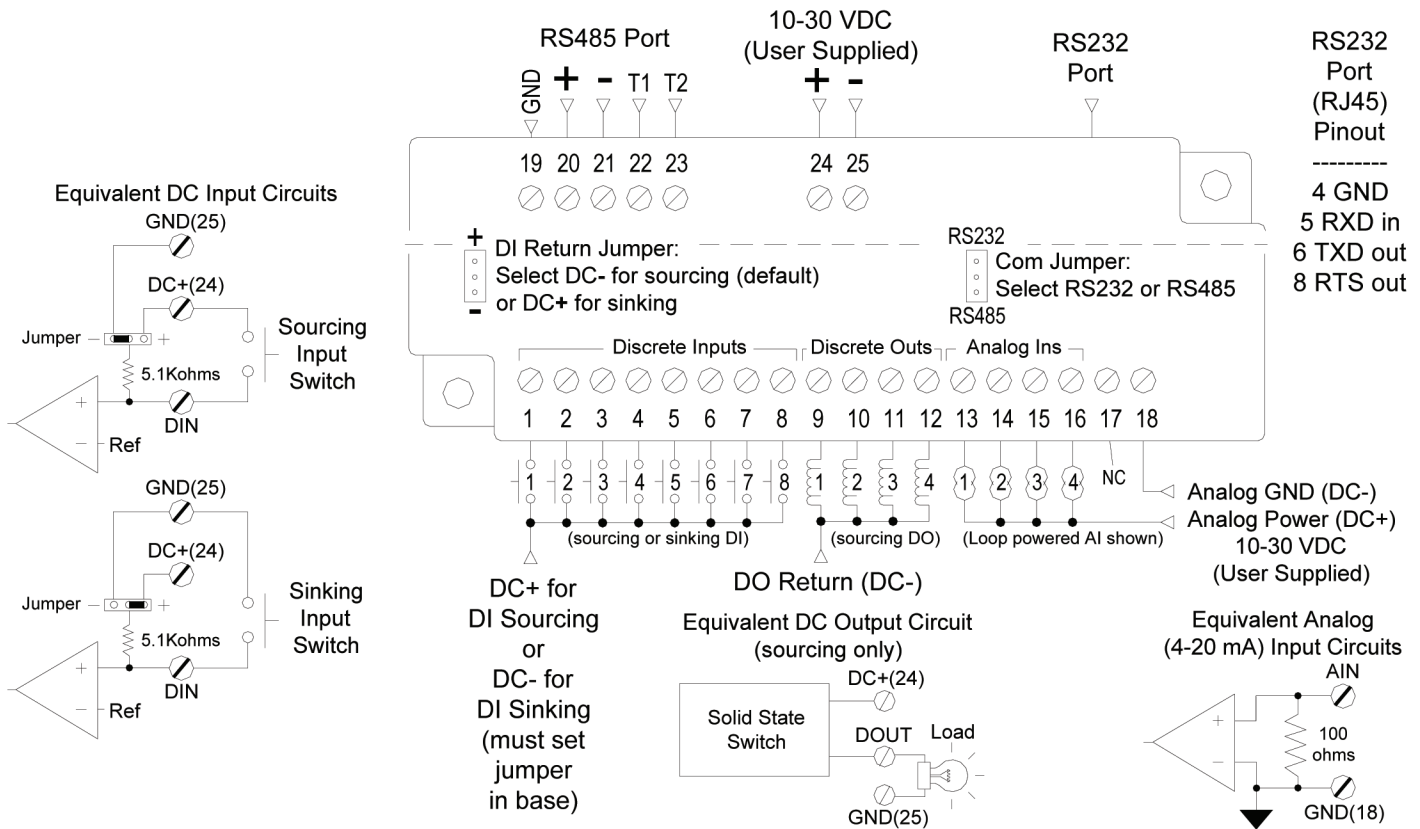
- RM-RTU-8440-F Module and wiring base pair
- RM-RTU-8440-M Replacement module only
- RM-RTU-8440-FB Replacement base only
- VT-MODEM-1WW Industrial Modem

All specifications are subject to change. Consult factory for latest info.

MECHANICAL DIMENSIONS



WIRING



SIXNET Technology Park  
 331 Ushers Road • Ballston Lake, NY 12019 USA  
 +1 518.877.5173 • Fax +1 518.877.8346 • sales@sixnet.com

2013 DATASHEET  
 RM-RTU-8440  
 VT-MODEM-1WW 4-MAR-09