

REMOTETRAK™

Select RM-8AO2 when your actuators or instruments require current loop (4-20mA) analog signals or RM-4AO2 when you only need four analog outputs at one location.

PRODUCT HIGHLIGHTS

- High precision ensures accurate analog signals
- High resolution (13 bits) removes output “steps”
- Isolation on the RS485 lines eliminates ground loops
- Operates from a wide range of loop power supplies

PERFORMANCE SPECIFICATIONS

- 4 or 8 channels
- Output range 4-20 mA
- D/A resolution 13 bits (0.03%)
- Full scale accuracy (@ 20° C) 0.05%
- Span and offset temperature coefficient +/- 50 ppm per °C
- Max output setting time (to 0.05%) 5 mS
- Required user supplied loop voltage 10-30 VDC
- Load resistance (@ +24V supply) 0-750 Ohms
- Short circuit protection current limiting

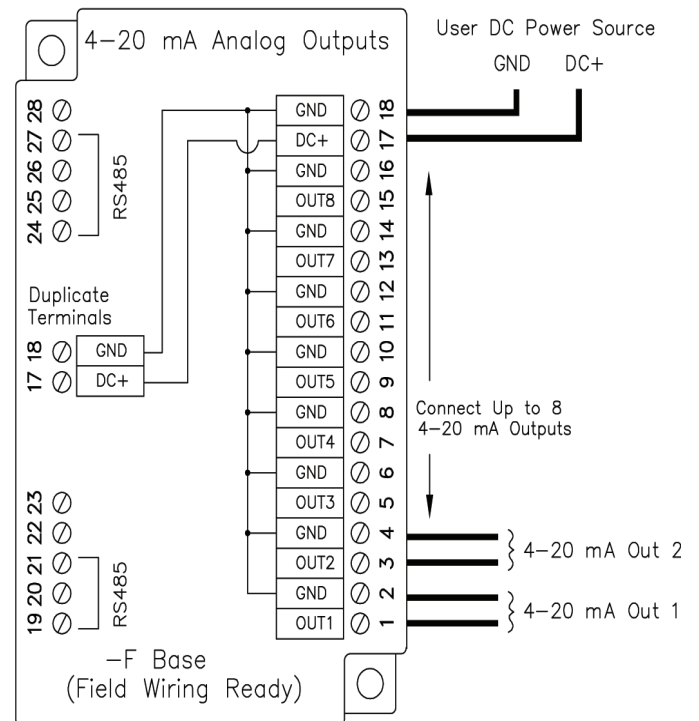
ENVIRONMENTAL

- RS485 isolation 1200 Volts RMS 1 minute
- Required supply voltage 10-30 VDC (0.5 watt typical)
- Operating temperature range -30 to 70° C
- Storage temperature range -40 to 85° C
- Humidity (non-condensing) 5 to 95%
- Flammability (module plastic) UL 94V-0 materials
- Electrical safety UL 508, CSA C22.2/14; EN61010-1 (IEC1010), CE
- EMI emissions FCC part 15, ICES-003, Class A; EN55022, CE
- EMC immunity EN50082-1 (IEC801-2, 3, 4) CE
- Vibration IEC68-2-6
- Hazardous locations UL 1604, CSA C22.2/213-M1987, (Class I, Div 2, Groups A, B, C, D), EN50021 (zone 2)
- Marine/offshore tested and/or verified to meet various marine and maritime standards

ORDERING INFORMATION

RM-4AO2-F	4 channels with field wiring base
RM-8AO2-F	8 channels with field wiring base
RM-4AO2-M	Replacement module only
RM-8AO2-M	Replacement module only

All specifications are subject to change. Consult factory for latest info.



Equivalent Circuit

