

Sixnet

REMOTETRAK™

PRODUCT DATASHEET
RM-4DI2-4AI2
RM-4DI2-4DO2

Select RM-4DI2-4AI2 when you need a few discrete and analog inputs for monitoring remote signals and select RM-4DI2-4DO2 when you need a few discrete inputs and outputs for controls at a small, remote location.

PRODUCT HIGHLIGHTS

- Single module compact solutions for small stations
- Lowest cost I/O solution for small remote stations
- Ideal solution for small “dumb” RTU applications
- Supports SIXNET radio packeting and phone links

PRODUCT HIGHLIGHTS

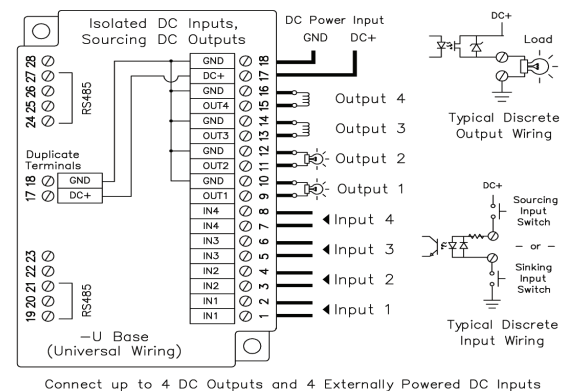
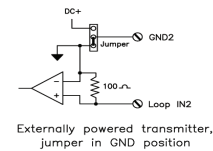
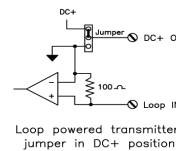
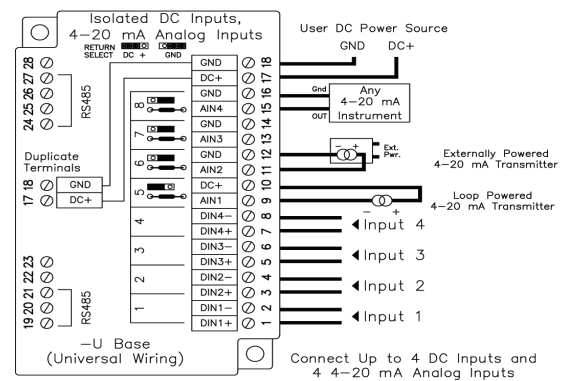
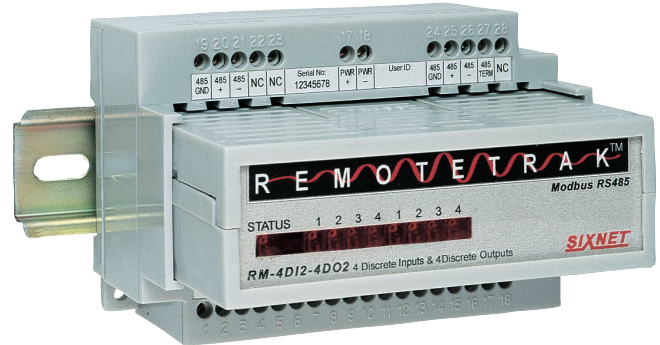
- 4 discrete inputs
- Nominal discrete input range 12/24 VDC
- Discrete input characteristics same as RM-8DI2
- Number of analog inputs 4 (-4AI2 module only)
- Analog input range 4-20 mA
- Analog input resolution 16 bits
- Analog input characteristics Same as RM-8AI2
- Number of discrete outputs 4 (-4DO2 module only)
- Max. output current per channel 1 Amp
- Discrete output characteristics Same as RM-16DO2
- Filtered Mode ON/OFF delay 25 ms
- Filtered Mode count feature 10 Hz Maximum
- Fast Mode count feature 100 Hz Max (2 kHz on channel 1)
- Serial communication information See page 19

ENVIRONMENTAL

- RS485 isolation 1200 Volts RMS 1 minute
- Required supply voltage 10-30 VDC (0.5 watt typical)
- Operating temperature range -30 to 70° C
- Storage temperature range -40 to 85° C
- Humidity (non-condensing) 5 to 95%
- Flammability (module plastic) UL 94V-0 materials
- Electrical safety UL 508, CSA C22.2/14; EN61010-1 (IEC1010), CE
- EMI emissions FCC part 15, ICES-003, Class A; EN55022, CE
- EMC immunity EN50082-1 (IEC801-2, 3, 4) CE
- Vibration IEC68-2-6
- Hazardous locations UL 1604, CSA C22.2/213-M1987, (Class I, Div 2, Groups A, B, C, D), EN50021 (zone 2)
- Marine/offshore tested and/or verified to meet various marine and maritime standards

All specifications are subject to change. Consult factory for latest info.

SIXNET Technology Park • 331 Ushers Road • Ballston Lake, NY 12019 USA
+1 518.877.5173 • Fax +1 518.877.8346 • sales@sixnetio.com



ORDERING INFORMATION

RM-4DI2-4AI2 - 4DI and 4AI with universal base
 RM-4DI2-4DO2 - 4DI and 4DO with universal base
 RM-4DI2-4AI2 - Replacement module only
 RM-4DI2-4DO2 - Replacement module only

2002 DATASHEET
RM-4DI2-4AI2 & RM-4DI2-4DO2 12/10