

## EtherTRAK™ INSTRUMENTATION INPUT

Select the ET-8INS when you need to read thermocouples, or you need isolated 16 bit inputs for high accuracy, or to connect to floating 4-20 mA inputs.

### PRODUCT HIGHLIGHTS

- Advanced 16 bit A/D for extreme accuracy
- Differential inputs minimize noise and ground loops
- Software selectable ranges - mix inputs on module
- Linearizes and compensates thermocouple readings
- Upscale/downscale thermocouple burnout detection

### PERFORMANCE SPECIFICATIONS

- 8 channels
- Lowest voltage range +/- 0.062 Volts
- Maximum voltage range +/- 10 Volts
- Auto-polarity current range 4-20 mA, 0-20 mA
- Thermocouple types J,K,E,R,T,B,C,N,S<sup>1</sup>
- A/D resolution 16 bits (0.003%)
- Full scale accuracy (@20°C) +/- 0.02%
- Input span and offset adjustability +/- 25%
- Span and offset temp. coefficient +/- 30 ppm per °C typical
- Voltage range input impedance 200K Ohms
- Current range input impedance 100 Ohms
- CMRR (@ 50/60 Hz) 140 dB
- DMRR (@ 50/60 Hz) 66 dB
- Common mode input voltage:
  - Between two input terminals +/- 25VDC
  - Between inputs and ground 1200 Volts
- No damage input voltage +/- 50 VDC
- Fastest scan rate (all 8 channels) 100 mS<sup>2</sup>
- Required supply voltage 10-30 VDC (1.6 watt typical)
- Operating temperature range -30 to 70° C
- Storage temperature range -40 to 85° C
- Humidity (non-condensing) 5 to 95%

#### Notes:

- Thermocouple inputs are cold-junction compensated and reported as F,C, 0.1F or 0.1C.
- This scan rate applies to modules built after 30-July-04. Earlier models may differ. Contact us for details.

### RS485 PORT FOR I/O EXPANSION

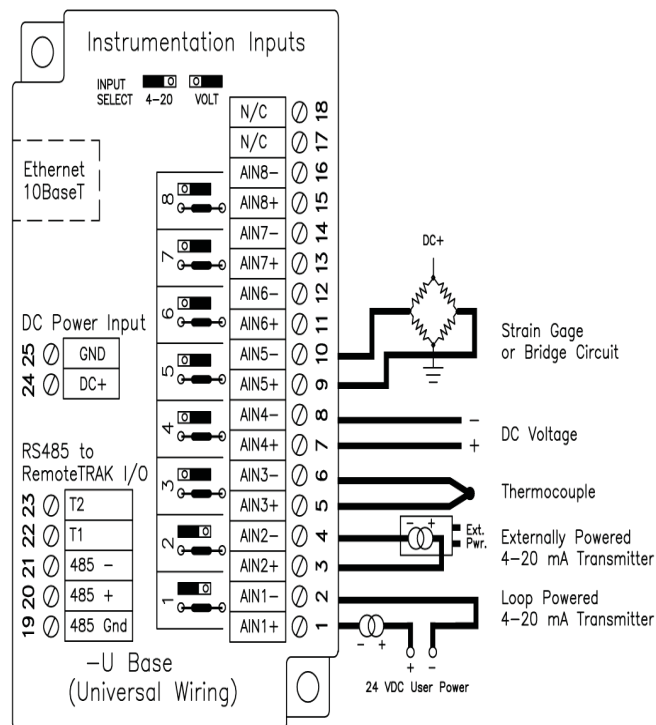
- 32 Max. RS485 stations (up to 512 I/O)
- Baud rate: 38,400 bps
- Recommended distance of up to 0.5 mile
- Protocol: Sixnet "I/O for Windows", Modbus ASCII & RTU
- Isolation (from Ethernet port) 1200 Volts RMS 1 minute

### ORDERING INFORMATION

- |                  |   |
|------------------|---|
| <b>ET-8INS-U</b> | <b>Instrumentation module with base</b> |
| <b>ET-8INS-M</b> | <b>Replacement module only</b>          |

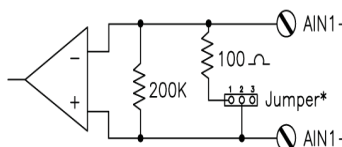
All specifications are subject to change. Consult factory for latest info.

Sixnet Technology Park • 331 Ushers Road • Ballston Lake, NY 12019 • USA  
1.518.877.5173 • Fax 1.518.877.8346 • sales@sixnet.com



Connect Up to 8 4-20 mA, Voltage or Thermocouple Inputs

#### Equivalent Circuit



\* Jumper 1 to 2 for 4-20 mA Range