

EtherTRAK™ COMBINATION I/O

Select the ET-8DI2-8AI2 when you need to monitor both discrete and analog inputs over an Ethernet network or ET-8DI2-8DO2 when you need a mix of discrete inputs and outputs for control at a remote location.

PRODUCT HIGHLIGHTS

- Single module compact solutions for small stations
- Lowest cost solution when mixed I/O is needed
- Ethernet or RS485 Modbus capability
- Ideal "RTU" for networked systems

PERFORMANCE SPECIFICATIONS

- 8 discrete inputs
- Nominal discrete input range 12/24 VDC/VAC
- Discrete input characteristics, same as ET-16DI2
- 8 analog inputs (-8AI2 module only)
- Analog input range 4-20 mA
- Analog input resolution 14 bits (0.01%)
- Analog input characteristics, same as ET-16AI2
- 8 discrete outputs (-8DO2 module only)
- Max. output current per channel 1 Amp
- Discrete output characteristics, same as ET-16DO2
- Filtered Mode ON/OFF delay 25 mS
- Filtered Mode count feature 10 Hz Maximum
- Fast Mode count feature 100 Hz Max (2 kHz on channel 1)
- Required supply voltage 10-30 VDC (0.75 watt typical)
- Operating temperature range -30 to 70° C
- Storage temperature range -40 to 85° C
- Humidity (non-condensing) 5 to 95%

RS485 PORT FOR I/O EXPANSION

- 32 Max. RemoteTRAK modules (up to 512 I/O)
- Baud rate: 38,400 bps
- Recommended distance of up to 0.5 mile
- Protocol: Sixnet "I/O for Windows", Modbus ASCII & RTU
- Isolation (from Ethernet port) 1200 Volts RMS 1 minute

ORDERING INFORMATION

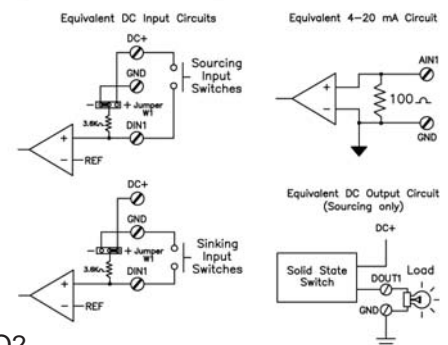
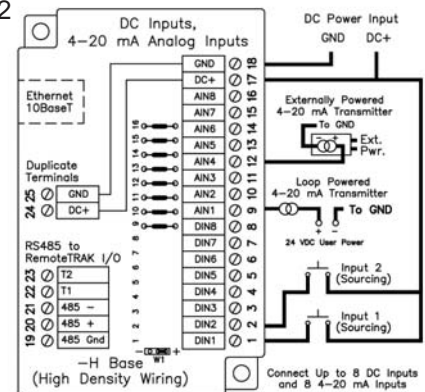
- ET-8DI2-8AI2-H 8DI and 8AI with wiring base
- ET-8DI2-8DO2-H 8DI and 8DO with wiring base
- ET-8DI2-8AI2-M Replacement module only
- ET-8DI2-8DO2-M Replacement module only

All specifications are subject to change. Consult factory for latest info.

Sixnet Technology Park • 331 Ushers Road • Ballston Lake, NY 12019 • USA
1.518.877.5173 • Fax 1.518.877.8346 • sales@sixnet.com



ET-8DI2-8AI2



ET-8DI2-8DO2

