

EtherTRAK™ ANALOG INPUTS AND OUTPUTS

Select the ET-8AI2-4AO2 when you need a mix of 4-20 mA analog inputs and outputs at the same location.

PRODUCT HIGHLIGHTS

- Single compact solution for small stations
- Lowest cost for small analog applications
- Input/output combination is ideal for control
- Ethernet or RS485 Modbus capability

PERFORMANCE SPECIFICATIONS

- 8 analog inputs
- Analog input range 4-20 mA
- Analog input resolution 14 bits (0.01%)
- Analog input characteristics Same as ET-16AI2
- 4 of analog outputs
- Output range 4-20 mA
- 16 bits D/A resolution (less than 1µA)
- Full scale accuracy (@20°C) +/- 0.02%
- Span and offset temp. coefficient +/- 50 ppm per °C typical
- Max. output settling time (to 0.05%) 5 mS
- Required user supplied voltage 10-30 VDC
- Load resistance range (@ +24 VDC supply) 0-750 Ohms
- Short circuit protection current limiting
- Fastest scan rate (all channels) 5 mS
- Required supply voltage 10-30 VDC (0.75 watt typical)
- Operating temperature range -30 to 70° C
- Storage temperature range -40 to 85° C
- Humidity (non-condensing) 5 to 95%

RS485 PORT FOR I/O EXPANSION

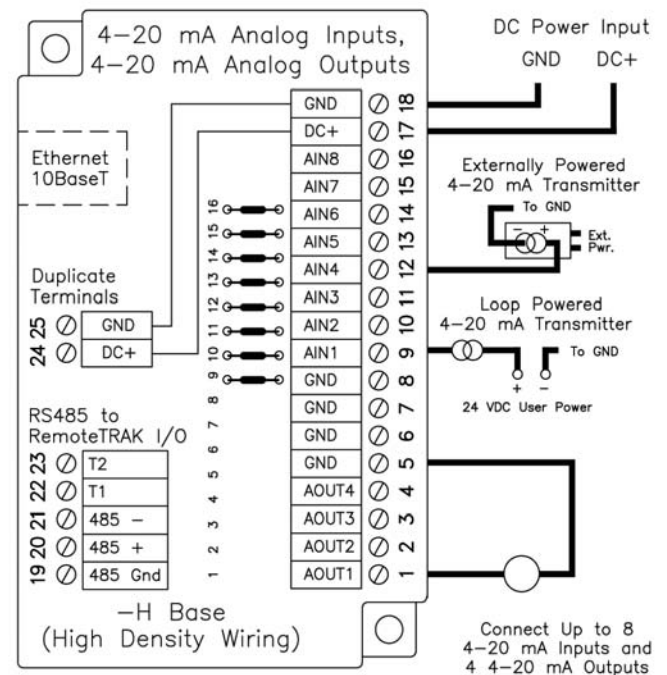
- 32 Max. RS485 station (up to 512 I/O)
- Baud rate: 38,400 bps
- Recommended distance of up to 0.5 mile
- Protocol: SIXNET "I/O for Windows", Modbus ASCII & RTU
- Isolation (from Ethernet port) 1200 Volts RMS 1 minute

ORDERING INFORMATION

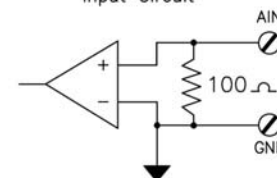
- ET-8AI2-4AO2-H 8AI and 4AO with wiring base
- ET-8AI2-4AO2-M Replacement module only

All specifications are subject to change. Consult factory for latest info.

Sixnet Technology Park • 331 Ushers Road • Ballston Lake, NY 12019 • USA
1.518.877.5173 • Fax 1.518.877.8346 • sales@sixnet.com



Equivalent 4-20 mA Input Circuit



Equivalent 4-20 mA Output Circuit

