

EtherTRAK™ DISCRETE OUTPUTS

Select the ET-16DO2 when you need to control relays, solenoids, valves and other outputs over an Ethernet network.

PRODUCT HIGHLIGHTS

- High density outputs save space
- Isolation protects the Ethernet network
- Time proportioned outputs for variable control
- Surge suppressors safely clamp inductive loads

PERFORMANCE SPECIFICATIONS

- 16 output channels
- Output range 10 - 30 VDC
- Max. output current per channel 1 Amp
- Max. output current (entire module) 8 Amps
- Max. OFF state leakage current 0.05 mA
- Min. load current per channel 0.1 mA
- Inrush current (100 mS surge) 5 Amps
- Typical ON resistance 0.3 Ohms
- Typical ON voltage (@ 1 Amp) 0.3 VDC
- Time proportioned outputs¹ configurable for each channel
- Fastest scan rate (16 channels) 2 mS
- Required supply voltage 10-30 VDC (0.75 watt typical)
- Operating temperature range -30 to 70° C
- Storage temperature range -40 to 85° C
- Humidity (non-condensing) 5 to 95%

RS485 PORT FOR I/O EXPANSION

- 32 Max. RS485 stations (up to 512 I/O)
- Baud rate: 38,400 bps
- Recommended distance of up to 0.5 mile
- Protocol: Sixnet "I/O for Windows", Modbus ASCII & RTU
- Isolation (from Ethernet port) 1200 Volts RMS 1 minute

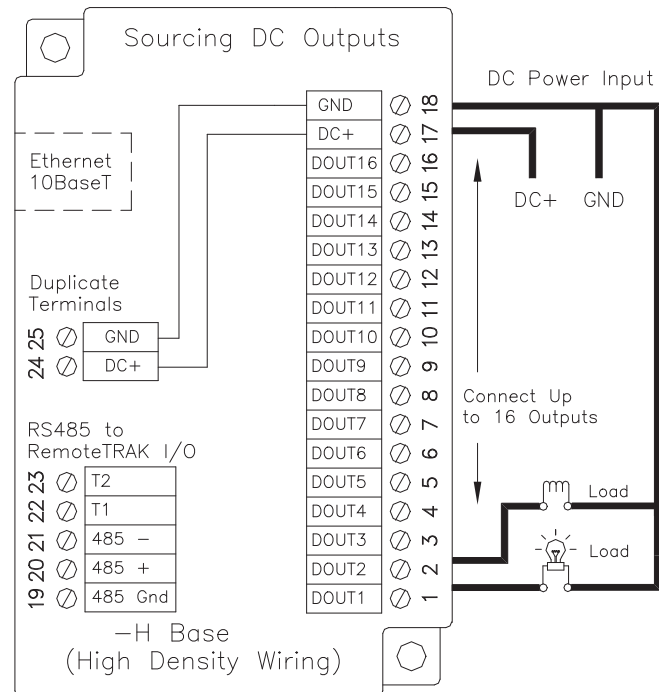
¹ Time proportioned outputs control the duty cycle of the output in proportion to an analog output register value. The cycle time and minimum pulse time are configurable.

ORDERING INFORMATION

- | | |
|------------|-----------------------------|
| ET-16DO2-H | 16 outputs with wiring base |
| ET-16DO2-M | Replacement module only |

All specifications are subject to change. Consult factory for latest info.

Sixnet Technology Park • 331 Ushers Road • Ballston Lake, NY 12019 USA
1.518.877.5173 • Fax 1.518.877.8346 • sales@sixnet.com



Equivalent DC Output Circuit
(Sourcing only)

