

EtherTRAK™ 4-20 MA ANALOG INPUTS

Select the ET-16AI2 when you need to monitor 4-20 mA analog signals over an Ethernet network.

PRODUCT HIGHLIGHTS

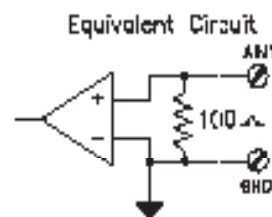
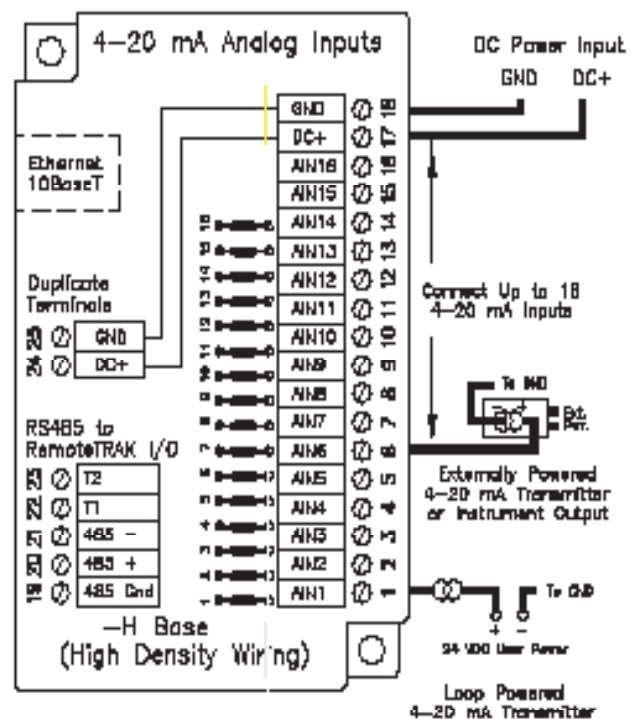
- 14 bit A/D for precision measurements
- Smart filtering rejects noise
- User choice of integration time – speed vs. filtering
- Field replaceable current shunts save maintenance time

PERFORMANCE SPECIFICATIONS

- 16 channels counters
- Input range 4-20 mA
- A/D resolution 14 bits (0.01%)
- Full scale accuracy (@20°C) +/- 0.05%
- Span and offset temp. coefficient +/- 50 ppm per °C typical
- Input impedance 100 Ohms
- Input current protection replaceable shunts
- Fastest scan rate (16 channels) 5 mS
- Required supply voltage 10-30 VDC (0.75 watt typical)
- Operating temperature range -30 to 70° C
- Storage temperature range -40 to 85° C
- Humidity (non-condensing) 5 to 95%

RS485 PORT FOR I/O EXPANSION

- 32 Max. RS485 stations (up to 512 I/O)
- Baud rate: 38,400 bps
- Recommended distance of up to 0.5 mile
- Protocol: SIXNET "I/O for Windows", Modbus ASCII & RTU
- Isolation (from Ethernet port) 1200 Volts RMS 1 minute



ORDERING INFORMATION

- | | |
|------------|----------------------------|
| ET-16AI2-H | 16 inputs with wiring base |
| ET-16AI2-M | Replacement module only |

All specifications are subject to change. Consult factory for latest info.

SIXNET Technology Park • 331 Ushers Road • Ballston Lake, NY 12019 • USA
518.877.5173 • Fax 518.877.8346 • sales@sixnet.com