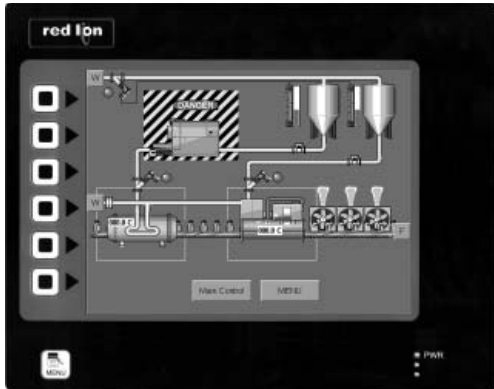




Tel +1 (717) 767-6511
 Fax +1 (717) 764-0839
 www.redlion.net

Bulletin No. G308C-C
 Drawing No. LP0808
 Released 05/10

MODEL G308C1/A2 - 8" COLOR TOUCHSCREEN



- CONFIGURED USING CRIMSON® SOFTWARE (VERSION 2.0 OR LATER)
- UP TO 5 RS-232/422/485 COMMUNICATIONS PORTS (2 RS-232 AND 1 RS-422/485 ON BOARD, 1 RS-232 AND 1 RS-422/485 ON OPTIONAL COMMUNICATIONS CARD)
- 10 BASE T/100 BASE-TX ETHERNET PORT TO NETWORK UNITS AND HOST WEB PAGES (2ND ETHERNET PORT OPTIONAL-G308A2 ONLY)
- USB PORT TO DOWNLOAD THE UNIT'S CONFIGURATION FROM A PC OR FOR DATA TRANSFERS TO A PC
- UNIT'S CONFIGURATION IS STORED IN NON-VOLATILE MEMORY (32MBYTE FLASH)
- COMPACTFLASH® SOCKET TO INCREASE MEMORY CAPACITY
- 7.5" OR 8.4-INCH TFT 32K VGA 640X480 PIXEL LCD
- 7-BUTTON KEYPAD FOR ON-SCREEN MENUS
- THREE FRONT PANEL LEDS
- POWER UNIT FROM 24VDC ±20% SUPPLY
- RESISTIVE ANALOG TOUCHSCREEN



FOR USE IN HAZARDOUS LOCATIONS:
 Class I, Division 2, Groups A, B, C, and D



GENERAL DESCRIPTION

The G308 Operator Interface Terminal combines unique capabilities normally expected from high-end units with a very affordable price. It is built around a high performance core with integrated functionality. This core allows the G308 to perform many of the normal features of the Paradigm range of Operator Interfaces while improving and adding new features.

The G308 is able to communicate with many different types of hardware using high-speed RS232/422/485 communications ports and Ethernet 10 Base T/100 Base-TX communications. In addition, the G308 features USB for fast downloads of configuration files and access to trending and data logging. A CompactFlash socket is provided so that Flash cards can be used to collect your trending and data logging information as well as to store larger configuration files.

In addition to accessing and controlling of external resources, the G308 allows a user to easily view and enter information. Users can enter data through the touchscreen or front panel 7-button keypad.

SAFETY SUMMARY

All safety related regulations, local codes and instructions that appear in the manual or on equipment must be observed to ensure personal safety and to prevent damage to either the instrument or equipment connected to it. If equipment is used in a manner not specified by the manufacturer, the protection provided by the equipment may be impaired.

Do not use the controller to directly command motors, valves, or other actuators not equipped with safeguards. To do so can be potentially harmful to persons or equipment in the event of a fault to the controller.



The protective conductor terminal is bonded to conductive parts of the equipment for safety purposes and must be connected to an external protective earthing system.



WARNING - EXPLOSION HAZARD - SUBSTITUTION OF COMPONENTS MAY IMPAIR SUITABILITY FOR CLASS I, DIVISION 2



CAUTION: Risk Of Danger.
 Read complete instructions prior to installation and operation of the unit.



CAUTION: Risk of electric shock.

CompactFlash is a registered trademark of CompactFlash Association.

CONTENTS OF PACKAGE

- G308 Operator Interface.
- Panel Gasket.
- This hardware bulletin.
- Template for panel cutout.
- Hardware packet for mounting unit into panel.
- Terminal block for connecting power.

ORDERING INFORMATION

MODEL NO.	DESCRIPTION	PART NUMBER
G308	7.5" TFT Display Operator Interface (indoor), No USB Host, non-isolated comms	G308C100
	8.4" TFT Display Operator Interface (indoor), USB Host, Isolated Comms	G308A210
	8.4" TFT Display Operator Interface (indoor), Dual Ethernet, USB Host, Isolated Comms	G308A230
G3CF	CompactFlash Card ⁶	G3CFxxxx
G3RS	RS 232/485 Optional Communication Card	G3RS0000
G3CN	CANopen Optional Communication Card	G3CN0000
G3DN	DeviceNet Optional Communication Card	G3DN0000
G3PBDP	Profibus DP Optional Communication Card	G3PBDP00
G3GSM	GSM/GPRS Modem Option Card ³	G3GSM000
SFCRM	Crimson ²	SFCRM
CBL	RS-232 Programming Cable	CBLPROG0
	USB Cable	CBLUSB00
	Communications Cables ¹	CBLxxxxx
DR	DIN Rail Mountable Adapter Products ⁴	DRxxxxxx
	Replacement Battery ⁵	BNL20000
	G308A Backlight Replacement	G3BR08A0
G3FILM	Protective Films	G3FILM08

¹ Contact your Red Lion distributor or visit our website for complete selection.
² Use this part number to purchase Crimson on CD with a printed manual, USB cable, and RS-232 cable. Otherwise, download for free from www.redlion.net.
³ Antenna (G3QANT00) is NOT included with the card. Must be purchased separately if needed.
⁴ Red Lion offers RJ modular jack adapters. Refer to the DR literature for complete details.
⁵ Battery type is lithium coin type CR2025
⁶ Industrial grade two million write cycles. SMART Modular Technologies model SG9CF (UL Listed Directory Category NWGQ).

SPECIFICATIONS

1. POWER REQUIREMENTS:

G308C1: +24 VDC ±20% @ 13 W maximum.

G308A2: +24 VDC ±20% @ 27 W maximum.

Must use NEC Class 2 or Limited Power source (LPS) rated power supply.
Power connection via removable three position terminal block.

Note:

1. The G308's circuit common is not connected to the enclosure of the unit. See "Connecting to Earth Ground" in the section "Installing and Powering the G308."

2. **BATTERY:** Lithium coin cell CR2025. Typical lifetime of 10 years.

3. LCD MODULE DISPLAYS:

MODEL	G308A2	G308C1
SIZE	8.4-inch	7.5-inch
TYPE	TFT	TFT
COLORS	32K	32K
PIXELS	640 X 480	640 X 480
BRIGHTNESS	450 cd/m ²	112 cd/m ²
BACKLIGHT TYPE	CCFL	LED
BACKLIGHT LIFE	40,000 HR TYP.	50,000 HR TYP.

*Lifetime at room temperature. Refer to "Display" in the "Software/Unit Operation" section.

4. **7-KEY KEYPAD:** for on-screen menus.

5. **TOUCHSCREEN:** Resistive analog

6. MEMORY:

On Board User Memory: 32 Mbyte of onboard non-volatile Flash memory.

Memory Card: CompactFlash Type II slot for Type I and Type II CompactFlash cards.

7. COMMUNICATIONS:

USB Port: Adheres to USB 2.0 specification full speed only via Type B connection.



WARNING - DO NOT CONNECT OR DISCONNECT CABLES WHILE POWER IS APPLIED UNLESS AREA IS KNOWN TO BE NON-HAZARDOUS. USB PORT IS FOR SYSTEM SET-UP AND DIAGNOSTICS AND IS NOT INTENDED FOR PERMANENT CONNECTION.

USB Host Ports: Comply with Universal Serial Bus Specification Rev 2.0.

Support data transfers at full-speed. Hardware over current protected (0.5 A max per port).

Serial Ports: Serial ports on the G308A are individually isolated. Ports on the G308C are not isolated. Format and Baud Rates for each port are individually software programmable up to 115,200 baud.

PGM Port: RS232 port via RJ12.

COMMS Ports: RS422/485 port via RJ45, and RS232 port via RJ12.

DH485 TXEN: Transmit enable; open collector, V_{OH} = 15 VDC, V_{OL} = 0.5 V @ 25 mA max.

Note: For additional information on the communications or signal common and connections to earth ground please see the "Connecting to Earth Ground" in the section "Installing and Powering the G308."

Ethernet Ports: 10 BASE-T / 100 BASE-TX

RJ45 jack is wired as a NIC (Network Interface Card). The jack shield is electrically connected to Earth ground.

A secondary ethernet port (with its own Mac ID) is available as an option on the G308A2 only.

8. ENVIRONMENTAL CONDITIONS:

Operating Temperature Range: 0 to 50 °C

Storage Temperature Range: -20 to 70 °C

Operating and Storage Humidity: 80% maximum relative humidity (non-condensing) from 0 to 50 °C.

Vibration according to IEC 68-2-6: Operational 5 to 150 Hz, in X, Y, Z direction for 1.5 hours, 2 g.

Shock according to IEC 68-2-27: Operational 35 g, 11 msec in 3 directions.

9. CERTIFICATIONS AND COMPLIANCES:

SAFETY

UL Listed, File #E245515, UL61010-1, ANSI/ISA 12.12.01-2007, CAN/CSA 22.2 No. 61010.1, CSA 22.2 No. 213 and File #E179259, UL61010-1, CSA 22.2 No.61010-1

LISTED by Und. Lab. Inc. to U.S. and Canadian safety standards
Type 4X Indoor Enclosure rating (Face only), UL50
IECEE CB Scheme Test Report #E179259-A1-CB-3

Issued by Underwriters Laboratories Inc.

IEC 61010-1, EN 61010-1: Safety requirements for electrical equipment for measurement, control, and laboratory use, Part 1.

IP66 Enclosure rating (Face only), IEC 529

ELECTROMAGNETIC COMPATIBILITY

Emissions and Immunity to EN 61326: 2006: Electrical Equipment for Measurement, Control and Laboratory use.

Immunity to Industrial Locations:

Electrostatic discharge	EN 61000-4-2	Criterion A 4 kV contact discharge 8 kV air discharge
Electromagnetic RF fields	EN 61000-4-3	Criterion A 10 V/m (80 MHz to 1 GHz) 3 V/m (1.4 GHz to 2 GHz) 1 V/m (2 GHz to 2.7 GHz)
Fast transients (burst)	EN 61000-4-4	Criterion B power 2 kV I/O signal 1 kV
Surge	EN 61000-4-5	Criterion B power 1 kV L to L, 2 kV L to G signal 1 kV
RF conducted interference	EN 61000-4-6	Criterion A 3 Vrms
Power freq. magnetic field	EN 61000-4-8	Criterion A 30 A/m

Emissions:

Emissions EN 55011 Class A

Notes:

1. Criterion A: Normal operation within specified limits.

2. Criterion B: Temporary loss of performance from which the unit self-recovers.

10. **CONNECTIONS:** Compression cage-clamp terminal block.

Wire Gage: 12-30 AWG copper wire

Torque: 5-7 inch-pounds (56-79 N-cm)

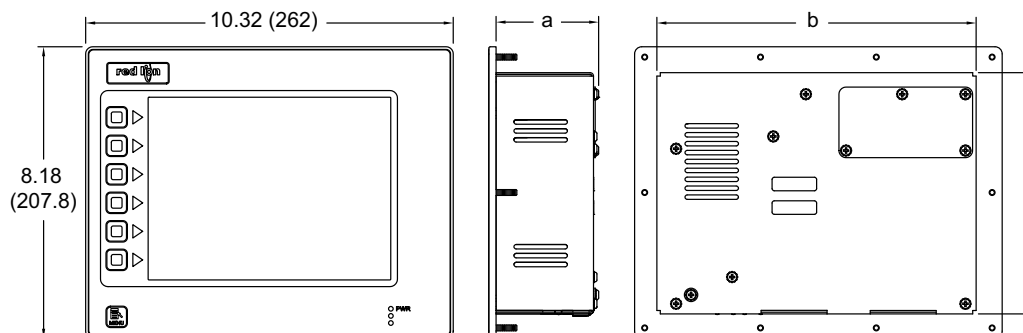
11. **CONSTRUCTION:** Steel rear metal enclosure with NEMA 4X/IP66 aluminum front plate for indoor use only when correctly fitted with the gasket provided. Installation Category II, Pollution Degree 2.

12. **MOUNTING REQUIREMENTS:** Maximum panel thickness is 0.25" (6.3 mm). For NEMA 4X/IP66 sealing, a steel panel with a minimum thickness of 0.125" (3.17 mm) is recommended.

Maximum Mounting Stud Torque: 17 inch-pounds (1.92 N-m)

13. **WEIGHT:** 4.20 lbs (1.91 Kg)

DIMENSIONS In inches (mm)



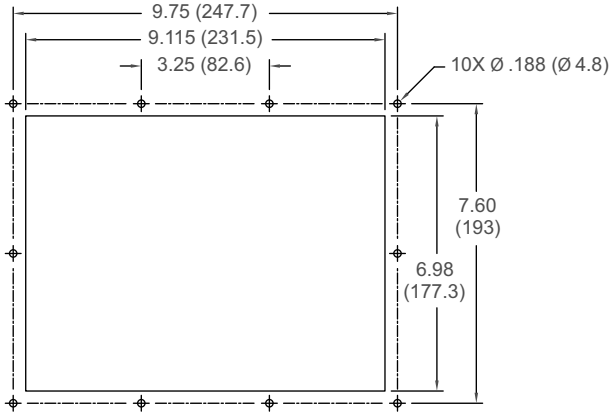
	G308C1	G308A2
a	2.46 (63)	2.9 (73)
b	8.72 (222)	8.96 (228)
c	6.46 (164)	6.77 (172)

INSTALLING AND POWERING THE G308

MOUNTING INSTRUCTIONS

This operator interface is designed for through-panel mounting. A panel cut-out diagram and a template are provided. Care should be taken to remove any loose material from the mounting cut-out to prevent that material from falling into the operator interface during installation. A gasket is provided to enable sealing to NEMA 4X/IP66 specification. Install the 14 kep nuts provided and tighten evenly for uniform gasket compression.

Note: Tightening the kep nuts beyond a maximum of 17 inch-pounds (1.92 N-m) may cause damage to the front panel.



All tolerances $\pm 0.010''$ (± 0.25 mm).



ALL NONINCENDIVE CIRCUITS MUST BE WIRED USING DIVISION 2 WIRING METHODS AS SPECIFIED IN THE NATIONAL ELECTRICAL CODE, NFPA 70 FOR INSTALLATION WITHIN THE UNITED STATES, OR AS SPECIFIED IN THE CANADIAN ELECTRICAL CODE FOR INSTALLATION IN CANADA.

CONNECTING TO EARTH GROUND



The protective conductor terminal is bonded to conductive parts of the equipment for safety purposes and must be connected to an external protective earthing system.

Each G308 has a chassis ground terminal on the back of the unit. Your unit should be connected to earth ground (protective earth).

The chassis ground is not connected to signal common of the unit. Maintaining isolation between earth ground and signal common is not required to operate your unit. But, other equipment connected to this unit may require isolation between signal common and earth ground. *To maintain isolation between signal common and earth ground care must be taken when connections are made to the unit.* For example, a power supply with isolation between its signal common and earth ground must be used. Also, plugging in a USB cable may connect signal common and earth ground.¹

¹ USB's shield may be connected to earth ground at the host. USB's shield in turn may also be connected to signal common.

POWER SUPPLY REQUIREMENTS

The G308C1 requires a 24 VDC power supply rated at 13 W, and the G308A2 requires a 24 VDC power supply rated at 27 W. Your unit may draw considerably less the rated power depending upon the options being used. As additional features are used your unit will draw increasing amounts of power. Items that could cause increases in current are additional communications, optional communications card, CompactFlash card, and other features programmed through Crimson.

In any case, it is very important that the power supply is mounted correctly if the unit is to operate reliably. Please take care to observe the following points:

- The power supply must be mounted close to the unit, with usually not more than 6 feet (1.8 m) of cable between the supply and the operator interface. Ideally, the shortest length possible should be used.
- The wire used to connect the operator interface's power supply should be at least 22-gage wire. If a longer cable run is used, a heavier gage wire should be used. The routing of the cable should be kept away from large contactors, inverters, and other devices which may generate significant electrical noise.
- A power supply with an NEC Class 2 or Limited Power Source (LPS) and SELV rating is to be used. This type of power supply provides isolation to accessible circuits from hazardous voltage levels generated by a mains power supply due to single faults. SELV is an acronym for "safety extra-low voltage." Safety extra-low voltage circuits shall exhibit voltages safe to touch both under normal operating conditions and after a single fault, such as a breakdown of a layer of basic insulation or after the failure of a single component has occurred.



WARNING - EXPLOSION HAZARD - DO NOT DISCONNECT EQUIPMENT WHILE THE CIRCUIT IS LIVE OR UNLESS THE AREA IS KNOWN TO BE FREE OF IGNITABLE CONCENTRATIONS.

INSTALLING AN OPTION CARD

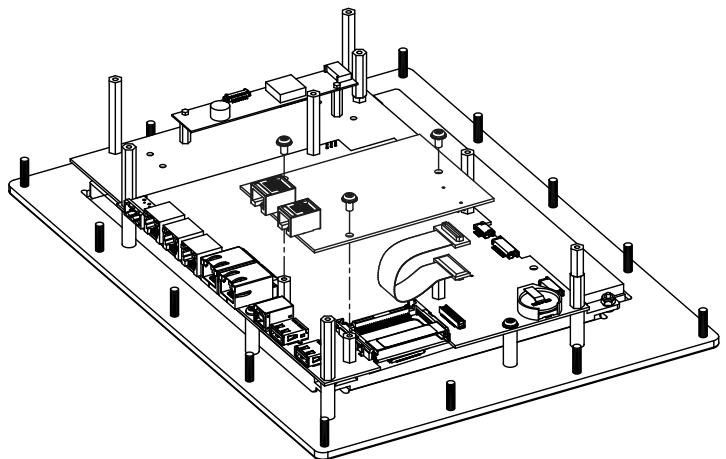


WARNING - EXPLOSION HAZARD - DO NOT DISCONNECT EQUIPMENT UNLESS POWER HAS BEEN DISCONNECTED AND THE AREA IS KNOWN TO BE NON-HAZARDOUS.

Each option card comes with a cable for communications and three screws for attaching the option card to the G3's main board.

To install the option card, remove all power and I/O communications cables from the unit and remove the rear cover. Connect the cable from the option card to the connector on the main board. Be sure both ends of the cable are firmly seated into their appropriate connector housings. Use the three screws provided to mount the option card to the main board as shown in Figure 1.

Carefully replace the rear cover by reversing the instructions for removing the rear cover.



TYPICAL EXPANSION CARD INSTALLATION

Figure 1

COMMUNICATING WITH THE G308

CONFIGURING A G308

The G308 is configured using Crimson software. Crimson is available as a free download from Red Lion's website, or it can be purchased on CD. Updates to Crimson for new features and drivers are posted on the website as they become available. By configuring the G308 using the latest version of Crimson, you are assured that your unit has the most up to date feature set. Crimson software can configure the G308 through the RS232 PGM port, USB port, or CompactFlash.

The USB port is connected using a standard USB cable with a Type B connector. The driver needed to use the USB port will be installed with Crimson. If this driver has not been installed, it can be downloaded from the website.

The RS232 PGM port uses a programming cable made by Red Lion to connect to the DB9 COM port of your computer. If you choose to make your own cable, use the "G308 Port Pin Out Diagram" for wiring information.

The CompactFlash can be used to program a G3 by placing a configuration file and firmware on the CompactFlash card. The card is then inserted into the target G3 and powered. Refer to the Crimson literature for more information on the proper names and locations of the files.

CABLES AND DRIVERS

Red Lion has a wide range of cables and drivers for use with many different communication types. A list of these drivers and cables along with pin outs is available from Red Lion's website. New cables and drivers are added on a regular basis. If making your own cable, refer to the "G308 Port Pin Outs" for wiring information.

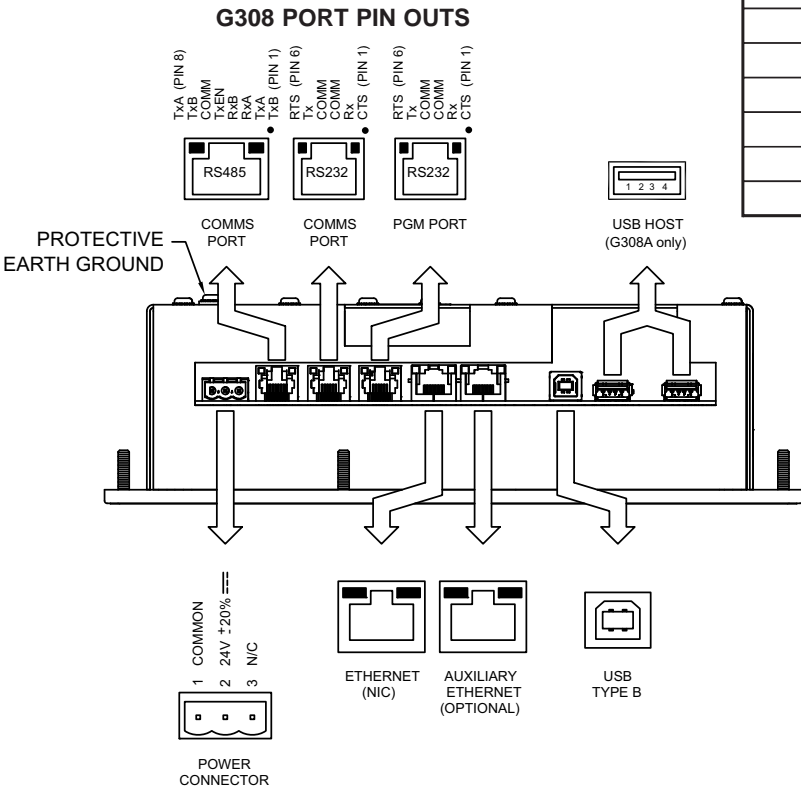
ACCESSING THE COMPACTFLASH CARD VIA USB DEVICE PORT



WARNING - DO NOT CONNECT OR DISCONNECT CABLES WHILE POWER IS APPLIED UNLESS AREA IS KNOWN TO BE NON-HAZARDOUS. USB PORT IS FOR SYSTEM SET-UP AND DIAGNOSTICS AND IS NOT INTENDED FOR PERMANENT CONNECTION.

In order to access data from the CompactFlash card via the USB device port, a driver must be installed on your computer. This driver is installed with Crimson and is located in the folder C:\Program Files\Red Lion Controls\Crimson 2.0\Device\ after Crimson is installed. This may have already been accomplished if your G308 was configured using the USB port.

Once the driver is installed, connect the G308 to your PC with a USB cable, and follow the "Mounting the CompactFlash" instructions found in the Crimson user manual.



ETHERNET COMMUNICATIONS

Ethernet communications can be established at either 10 BASE-T or 100 BASE-TX. The G308 unit's RJ45 jack is wired as a NIC (Network Interface Card). For example, when wiring to a hub or switch use a straight-through cable, but when connecting to another NIC use a crossover cable.

The Ethernet connector contains two LEDs. A yellow LED in the upper right, and a bi-color green/amber LED in the upper left. The LEDs represent the following statuses.

LED COLOR	DESCRIPTION
YELLOW solid	Link established.
YELLOW flashing	Data being transferred.
GREEN	10 BASE-T Communications
AMBER	100 BASE-TX Communications

The Crimson manual contains additional information on Ethernet communications.

RS232 PORTS

The G308 has two RS232 ports. The G308A ports are individually isolated, while the G308C ports are not isolated. There is the PGM port and the COMMS port. Although only one of these ports can be used for programming, both ports can be used for communications with a PLC.

The RS232 PGM port can be used for either master or slave protocols with any G308 configuration.

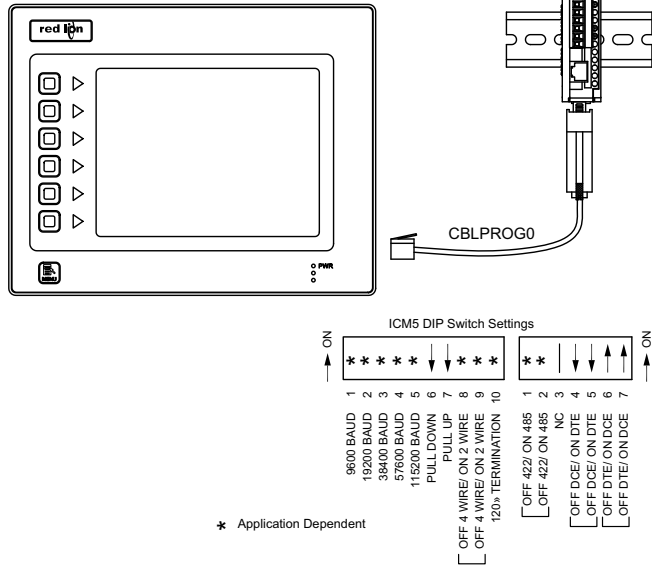
Examples of RS232 communications could involve another Red Lion product or a PC. By using a cable with RJ12 ends on it, and a twist in the cable, RS232 communications with another G3 product or the Modular Controller can be established. Red Lion part numbers for cables with a twist in them are CBLPROG0¹, CBLRLC01², or CBLRC02³.

¹ CBLPROG0 can also be used to communicate with either a PC or an ICM5.
² DB9 adapter not included, 1 foot long.
³ DB9 adapter not included, 10 feet long.

G3 RS232 to a PC

Connections			
G3: RJ12	Name	PC: DB9	Name
4	COMM	1	DCD
5	Tx	2	Rx
2	Rx	3	Tx
	N/C	4	DTR
3	COM	5	GND
	N/C	6	DSR
1	CTS	7	RTS
6	RTS	8	CTS
	N/C	9	RI

CONNECTING A G308 OPERATOR INTERFACE TO AN ICM5



G3 to Modular Controller (CBLRLC05)

Connections			
G3	Name	Modular Controller	Name
1,4	TxB	1,4	TxB
4,1	RxB	4,1	RxB
2,3	TxA	2,3	TxA
3,2	RxA	3,2	RxA
5	TxEN	5	TxEN
6	COM	6	COM
7	TxB	7	TxB
8	TxA	8	TxA

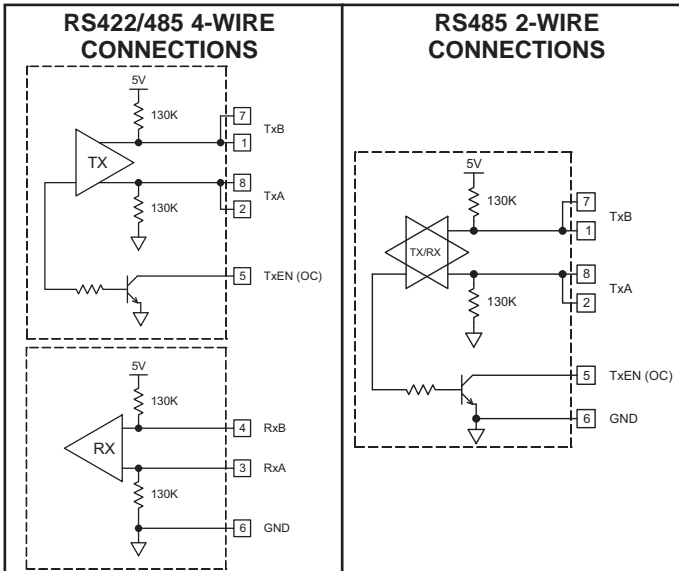
DH485 COMMUNICATIONS

The G308's RS422/485 COMMS port can also be used for Allen Bradley DH485 communications.

WARNING: DO NOT use a standard DH485 cable to connect this port to Allen Bradley equipment. A cable and wiring diagram are available from Red Lion.

RS422/485 COMMS PORT

The G308 has one RS422/485 port. The G308A port is isolated, while the G308C port is not isolated. This port can be configured to act as either RS422 or RS485.



Note: All Red Lion devices connect A to A and B to B, except for Paradigm devices. Refer to www.redlion.net for additional information.

Examples of RS485 2-Wire Connections

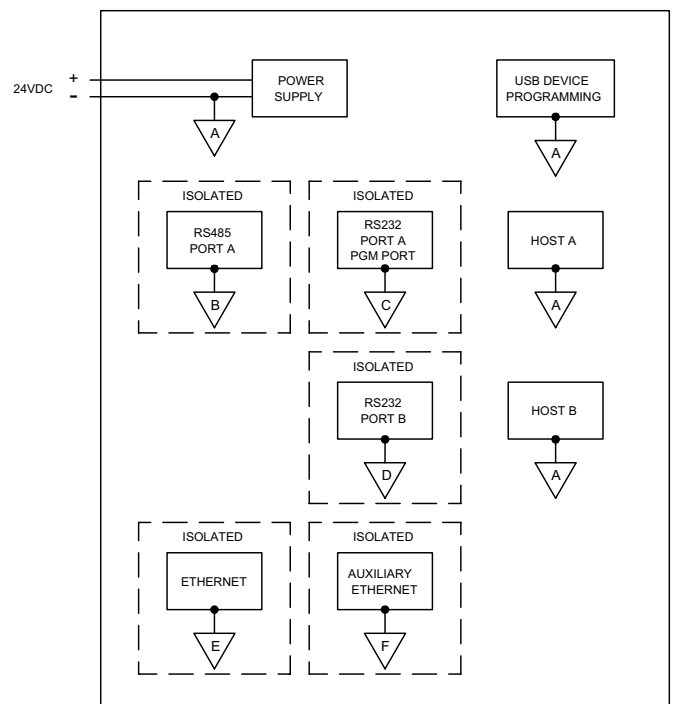
**G3 to Red Lion RJ11 (CBLRLC00)
DLC, IAMS, ITMS, PAXCDC4C**

Connections			
G3: RJ45	Name	RLC: RJ11	Name
5	TxEN	2	TxEN
6	COM	3	COM
1	TxB	5	B-
2	TxA	4	A+

G3 to AB SLC 500 (CBLAB003)

Connections			
RJ45: RLC	Name	RJ45: A-B	Name
1	TxB	1	A
2	TxA	2	B
3, 8	RxA	-	24V
4, 7	RxB	-	COMM
5	TxEN	5	TxEN
6	COMM	4	SHIELD
4, 7	TxB	-	COMM
3, 8	TxA	-	24V

POWER SUPPLY ISOLATION BLOCK DIAGRAM (G308A2 ONLY)



SOFTWARE/UNIT OPERATION

CRIMSON SOFTWARE

Crimson software is available as a free download from Red Lion's website or it can be purchased on a CD, see "Ordering Information" for part number. The latest version of the software is always available from the website, and updating your copy is free.

DISPLAY

This operator interface uses a liquid crystal display (LCD) for displaying text and graphics. The backlight can be dimmed for low light conditions.

Display backlights have a limited lifetime. Backlight lifetime is based upon the amount of time the display is turned on at full intensity. Turning the backlight off when the display is not in use can extend the lifetime of your backlight. This can be accomplished through the Crimson software when configuring your unit.

BACKLIGHT REPLACEMENT



CCFL Backlight

The G308A backlight is not field replaceable for hazardous location applications. Unit must be returned to Red Lion Controls for repair.

The backlight assembly for the G308A only is field replaceable in non-hazardous locations only. Refer to the instructions included in the appropriate backlight replacement kit.

LED Backlight

The backlight for the G308C is not field replaceable. The unit must be returned to Red Lion Controls for repair.

KEYPAD

The G308 keypad consists of seven keys for on-screen menus.

TOUCHSCREEN

This operator interface utilizes a resistive analog touchscreen for user input. The unit will only produce an audible tone (beep) when a touch on an active touchscreen cell is sensed. The touchscreen is fully functional as soon as the operator interface is initialized, and can be operated with gloved hands.

TROUBLESHOOTING YOUR G308

If for any reason you have trouble operating, connecting, or simply have questions concerning your new G308, contact Red Lion's technical support. For contact information, refer to the back page of this bulletin for phone and fax numbers.

EMAIL: techsupport@redlion.net

Web Site: <http://www.redlion.net>

FRONT PANEL LEDs

There are three front panel LEDs. Shown below is the default status of the LEDs.

LED	INDICATION
RED (TOP, LABELED "PWR")	
FLASHING	Unit is in the boot loader, no valid configuration is loaded. ¹
STEADY	Unit is powered and running an application.
YELLOW (MIDDLE)	
OFF	No CompactFlash card is present.
STEADY	Valid CompactFlash card present.
FLASHING RAPIDLY	CompactFlash card being checked.
FLICKERING	Unit is writing to the CompactFlash, either because it is storing data, or because the PC connected via the USB port has locked the drive. ²
FLASHING SLOWLY	Incorrectly formatted CompactFlash card present.
GREEN (BOTTOM)	
FLASHING	A tag is in an alarm state.
STEADY	Valid configuration is loaded and there are no alarms present.

1. The operator interface is shipped without a configuration. After downloading a configuration, if the light remains in the flashing state continuously, try cycling power. If the LED still continues to flash, try downloading a configuration again.
2. Do not turn off power to the unit while this light is flickering. The unit writes data in two minute intervals. Later Microsoft operating systems will not lock the drive unless they need to write data; Windows 98 may lock the drive any time it is mounted, thereby interfering with logging. Refer to "Mounting the CompactFlash" in the Crimson User Manual.

BATTERY & TIME KEEPING



WARNING - EXPLOSION HAZARD - THE AREA MUST BE KNOWN TO BE NON-HAZARDOUS BEFORE SERVICING/ REPLACING THE UNIT AND BEFORE INSTALLING OR REMOVING I/O WIRING AND BATTERY.



WARNING - EXPLOSION HAZARD - DO NOT DISCONNECT EQUIPMENT UNLESS POWER HAS BEEN DISCONNECTED AND THE AREA IS KNOWN TO BE NON-HAZARDOUS.

A battery is used to keep time when the unit is without power. Typical accuracy of the G308 time keeping is less than one minute per month drift. The battery of a G308 unit does not affect the unit's memory, all configurations and data is stored in non-volatile memory.



CAUTION: RISK OF ELECTRIC SHOCK

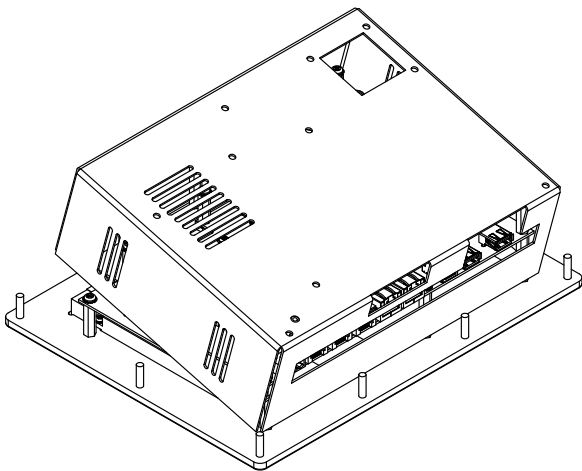
The inverter board of the G308A supplies the high voltage to operate the backlight. Touching the inverter board may result in injury to personnel.



CAUTION: The circuit board contains static sensitive components. Before handling the operator interface without the rear cover attached, discharge static charges from your body by touching a grounded bare metal object. Ideally, handle the operator interface at a static controlled clean workstation. Also, do not touch the surface areas of the circuit board. Dirt, oil, or other contaminants may adversely affect circuit operation.

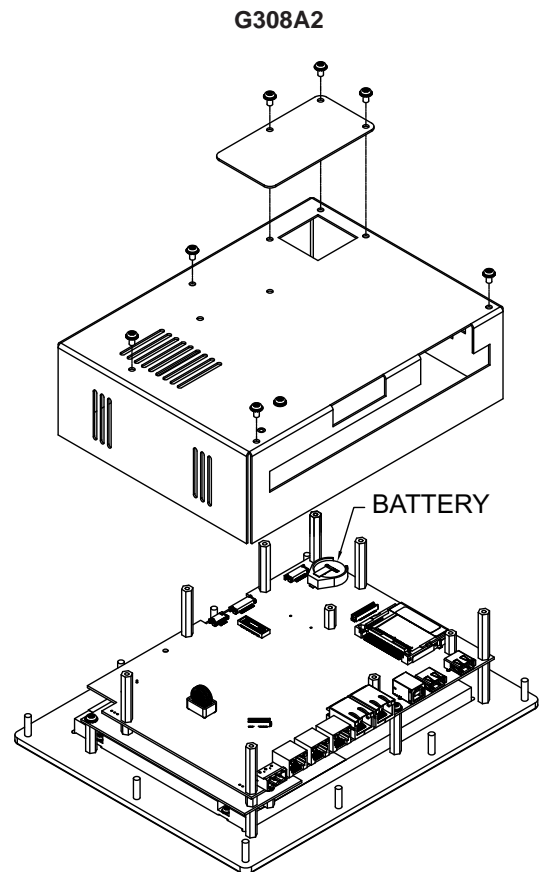
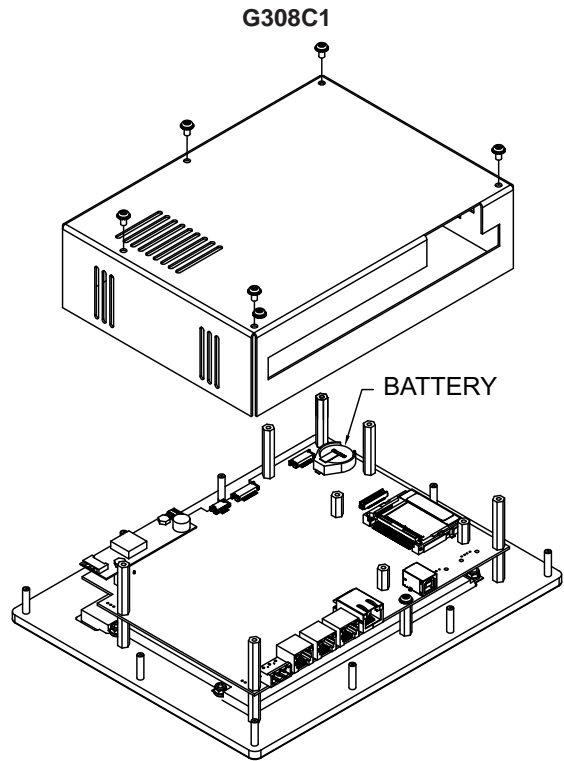
To change the battery of a G308, remove power, cabling, and then the rear cover of the unit. To remove the cover, remove the five screws designated by the arrows on the rear of the unit. Then, by lifting the top side, hinge the cover, thus providing clearance for the connectors on the bottom side of the PCB as shown in the illustration below. Install in the reverse manner.

Remove the old battery* from the holder and replace with the new battery. Replace the rear cover, cables, and re-apply power. Using Crimson or the unit's keypad, enter the correct time and date.



** Please note that the old battery must be disposed of in a manner that complies with your local waste regulations. Also, the battery must not be disposed of in fire, or in a manner whereby it may be damaged and its contents come into contact with human skin.*

The battery used by the G308 is a lithium type CR2025.



OPTIONAL FEATURES AND ACCESSORIES

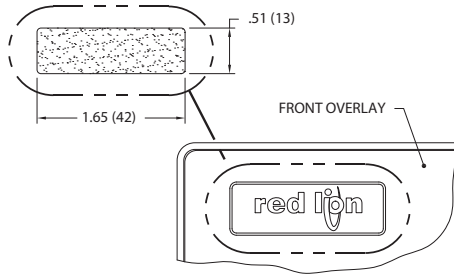
OPTIONAL COMMUNICATION CARD

Red Lion offers optional communication cards for fieldbus communications. These communication cards will allow your G308 to communicate with many of the popular fieldbus protocols.

Red Lion is also offering a communications card for additional RS232 and RS422/485 communications. Visit Red Lion's website for information and availability of these cards.

CUSTOM LOGO

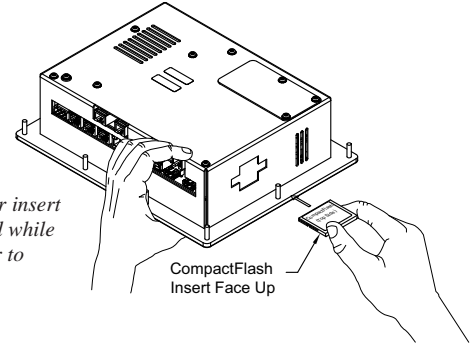
Each G3 operator interface has an embossed area containing the Red Lion logo. Red Lion can provide custom logos to apply to this area. Contact your distributor for additional information and pricing.



COMPACTFLASH SOCKET

CompactFlash socket is a Type II socket that can accept either Type I or II cards. Use cards with a minimum of 4 Mbytes and a maximum of 2 Gbytes with the G308's CompactFlash socket. Cards are available at most computer and office supply retailers.

CompactFlash can be used for configuration transfers, larger configurations, data logging, and trending.



Note: Do not remove or insert the CompactFlash card while power is applied. Refer to "Front Panel LEDs."

Information stored on a CompactFlash card by a G308 can be read by a card reader attached to a PC. This information is stored in IBM (Windows®) PC compatible FAT16 file format.

NOTE

For reliable operation of this and other Red Lion products, one of the following brands of CompactFlash card must be used...

- SimpleTech SMART® Modular
- SanDisk® Silicon Systems

Not all of the above manufacturers offer CompactFlash cards recognized to UL standards, which may be required for your application.

LIMITED WARRANTY

The Company warrants the products it manufactures against defects in materials and workmanship for a period limited to two years from the date of shipment, provided the products have been stored, handled, installed, and used under proper conditions. The Company's liability under this limited warranty shall extend only to the repair or replacement of a defective product, at The Company's option. The Company disclaims all liability for any affirmation, promise or representation with respect to the products.

The customer agrees to hold Red Lion Controls harmless from, defend, and indemnify RLC against damages, claims, and expenses arising out of subsequent sales of RLC products or products containing components manufactured by RLC and based upon personal injuries, deaths, property damage, lost profits, and other matters which Buyer, its employees, or sub-contractors are or may be to any extent liable, including without limitation penalties imposed by the Consumer Product Safety Act (P.L. 92-573) and liability imposed upon any person pursuant to the Magnuson-Moss Warranty Act (P.L. 93-637), as now in effect or as amended hereafter.

No warranties expressed or implied are created with respect to The Company's products except those expressly contained herein. The Customer acknowledges the disclaimers and limitations contained herein and relies on no other warranties or affirmations.

Red Lion Controls
 Headquarters
 20 Willow Springs Circle
 York PA 17406
 Tel +1 (717) 767-6511
 Fax +1 (717) 764-0839

Red Lion Controls
 Europe
 Printerweg 10
 NL - 3821 AD Amersfoort
 Tel +31 (0) 334 723 225
 Fax +31 (0) 334 893 793

Red Lion Controls
 India
 54, Vishvas Tenement
 GST Road, New Ranip,
 Ahmedabad-382480 Gujarat, India
 Tel +91 987 954 0503
 Fax +91 79 275 31 350

Red Lion Controls
 China
 Unit 101, XinAn Plaza
 Building 13, No.99 Tianzhou Road
 ShangHai, P.R. China 200223
 Tel +86 21 6113-3688
 Fax +86 21 6113-3683