



Tel +1 (717) 767-6511
 Fax +1 (717) 764-6587
 www.redlion-controls.com

Bulletin No. ENC/LDD-B
 Drawing No. LP0216
 Revised 9/00

NEMA 4/IP65 LARGE DISPLAY ENCLOSURE & SHROUD FOR LARGE DISPLAY



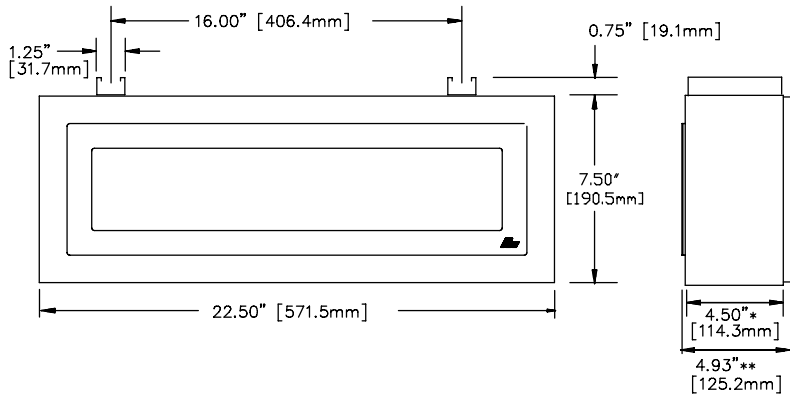
Picture includes the LDD, Nema Enclosure, and Shroud

- FOR LDD AND LMC MODELS
- RUGGED STEEL CONSTRUCTION
- COMPLETELY SEALED FOR WASH-DOWN
- MOUNTING CHANNELS FOR VERSATILE INSTALLATION

DESCRIPTION

The NEMA 4/IP65 Large Display Enclosure is designed to protect the Large Display (Model LDD and LMC) from dust and hose directed water, when properly installed. This rugged all steel unit utilizes welded seams and neoprene gaskets to meet NEMA 4/IP65 requirements. A textured, polyurethane coating protects against corrosion and is scratch resistant. Figure 1 below shows the overall dimensions of the Enclosure. The Display Enclosure with Mounting Channels weighs 13.5 pounds (6 Kg).

DIMENSIONS



* Housing Only

** Overall Including Screwheads

Figure 1

MOUNTING

Provided with the enclosure are two 1/4-20 UNC x 1" hex bolts, two 1/4-20 UNC "strut nuts", and two 1/4" washers. The "strut nuts" can be installed anywhere in the channel by inserting them, spring side down, into the channels, then rotating them 90 degrees clockwise until the notches engage with the lips of the channel. The bolts and washers provided allow mounting to surfaces 1/4" to 1/2" thick (6.4 to 12.7 mm). Use longer bolts for mounting to thicker surfaces. Bolts fabricated from materials other than steel are not recommended.

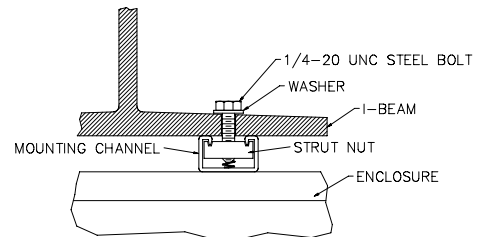
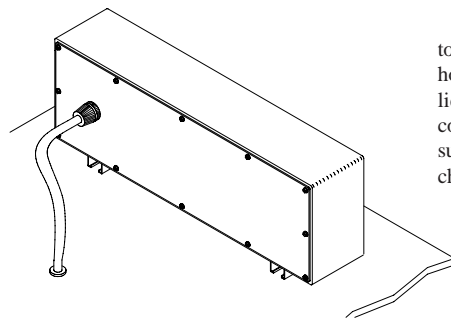


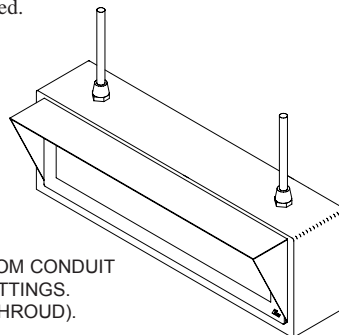
Figure 3

TYPICAL INSTALLATIONS FOR NEMA 4/IP65 ENCLOSURE

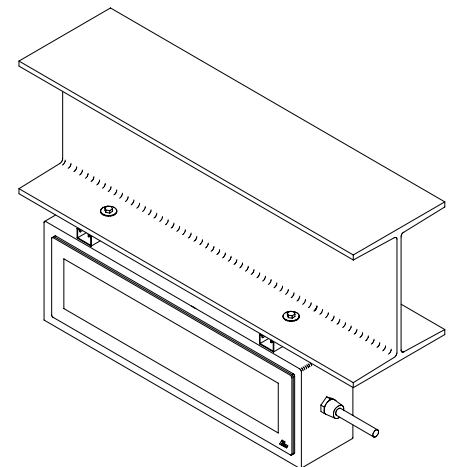


BASEMOUNT WITH WATERTIGHT CABLE CONNECTOR ENTERING THROUGH REAR PANEL.

Removing the rear panel of the enclosure allows access to the Large Display for service. Either the rear panel or housing may be drilled to accept sealed conduit fittings, liquid-tight cable fittings or other types of wiring connectors. The enclosure may be attached to horizontal surfaces located above or below it, using the mounting channels provided.



SUSPENDED FROM CONDUIT WITH SEALED FITTINGS. (SHOWN WITH SHROUD).

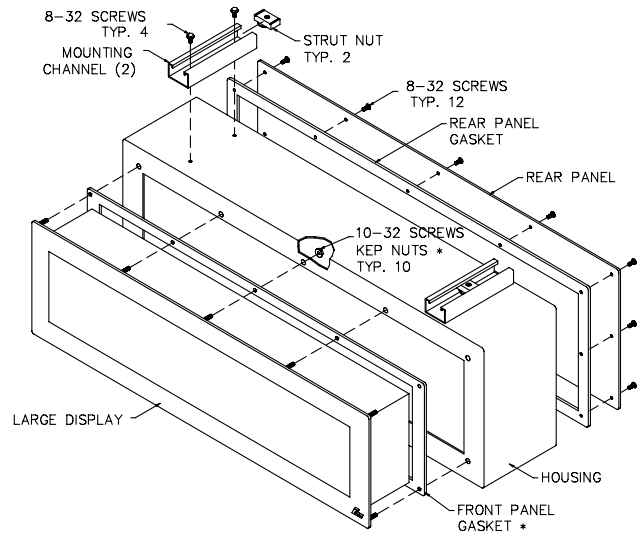


BEAM MOUNT WITH SEALED CONDUIT ENTERING FROM RIGHT SIDE.

Figure 2

ASSEMBLY AND INSTALLATION PROCEDURE

1. Install the two mounting channels on the enclosure housing using the four #8-32 screws provided and then insert the strut nuts (provided).
2. If the wiring is to be routed through the housing, make sure that the mounting channels are oriented properly before drilling, so the Large Display will be readable. Wiring is generally brought into the right side of the housing or rear panel, closest to the terminals of the personality board. Drill the proper size hole in the housing or rear panel for the wiring connector or sealed conduit fitting and attach the fitting(s)
3. Before installing the Large Display into the housing, be sure that the mounting channels are oriented properly for the type of installation planned. Place the gasket that is supplied with the Large Display over the studs extending from the front panel of the display.
4. Place the Large Display with gasket through the holes in the housing as shown at right. Working back and forth across the stud pattern, install the #10-32 keps nuts supplied with the Large Display on the studs. Tighten firmly.
5. Mount the housing, using the strut nuts and steel ¼-20 UNC bolts and washers, as shown in figure 3.
6. Connect the wires to the Large Display per the instructions included with the personality board.
7. Remove the center section of the rear panel gasket. Apply the gasket to the rear panel of the enclosure by inserting the #8-32 screws through the panel and into the holes in the gasket. Position the panel on the housing, start all of the screws, then firmly tighten them in a pattern working back and forth across the rear panel.



* Supplied with large display.

Figure 4

DIMENSIONS FOR THE LARGE DISPLAY SHROUD

The optional Large Display Shroud enhances the readability of Large Displays that are installed in areas with high intensity overhead light sources. The Shroud can be used with the Large Display in any installation, (panel mount, NEMA 4/IP65 Enclosure, or Universal Mounting Bracket). When properly assembled, the Shroud will not affect the integrity of a NEMA 4/IP65 installation. The Shroud weighs 1.5 pounds (0.7 Kg).

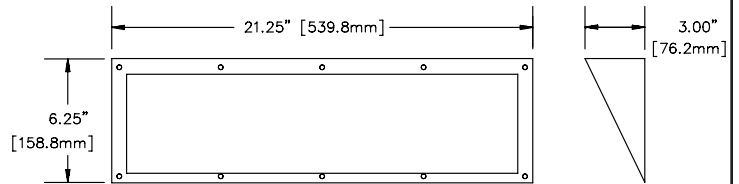
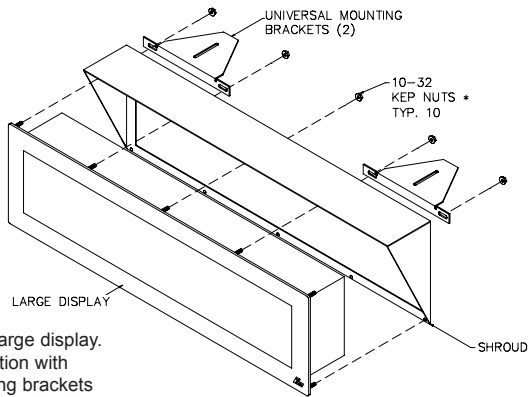


Figure 5

SHROUD INSTALLATION PROCEDURES

Installing The Shroud On A Large Display With Optional Universal Mounting Brackets (P/N MB600000)

1. Orient the shroud as shown in figure 6, and place it over the Large Display. The studs of the display should now be protruding through the rear of the shroud.
2. Configure the Universal Mounting Brackets for the intended mounting per the bracket literature (Bulletin LD/MB6). The gaskets supplied with the Large Display and Shroud are not needed with universal mounting brackets.
3. Locate the mounting brackets on the proper sets of studs per the bracket literature, using the #10-32 keps nuts provided with the Large Display.
4. Place the remaining nuts on the remaining studs. Tighten all of the nuts firmly.

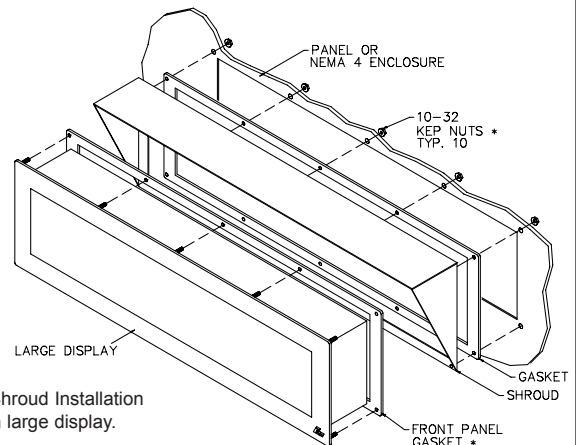


* Supplied with large display. Standard installation with universal mounting brackets (no gasket necessary).

Figure 6

Installing The Shroud On A Large Display In A NEMA 4/IP65 Enclosure Or Panel

1. Place a gasket over the studs extending from the rear of the front panel of the Large Display.
2. Orient the shroud as shown in Figure 7, and place it over the display. The studs of the display should now be protruding through the rear of the shroud.
3. Place the other gasket over the studs.
4. Install the unit into the panel or enclosure using the #10-32 keps nuts that are supplied with the Large Display. Tighten the nuts firmly.



Nema 4/IP65 Shroud Installation
* Supplied with large display.

Figure 7

ORDERING INFORMATION

MODEL NO.	DESCRIPTION	PART NUMBER
ENC7	LDD & LMC NEMA 4/IP65 Enclosure	ENC70000
SHR	Large Display Shroud	SHR10000
MB6 *	Mounting Brackets	MB600000

* Mounting brackets are for use with display and/or the shroud, will not function with ENC7 enclosures.