

NAIS**DC TYPE HOUR METER****TH8
Hour Meters****FEATURES**

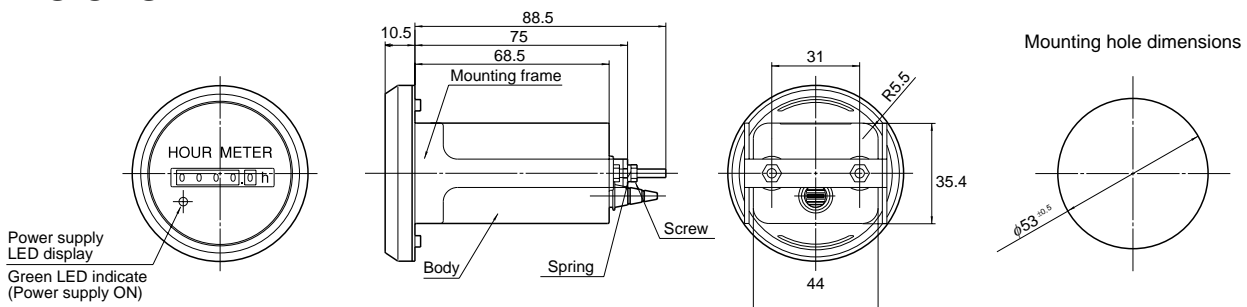
1. Driven on DC power. Optimum for maintaining and replacing the components of agricultural machines, generators, compact vessels, construction machines, etc.
2. Conforms to IP66's weather resistant standards. The water-proof construction keeps out water and dirt for reliable operation even in poor environments.
3. High-performance compact sync motor with ultra-accurate quartz oscillator enhances vibration-resistance.

SPECIFICATIONS

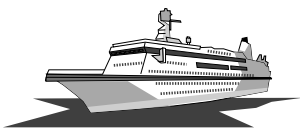
Part No.	TH833C	TH834C
Rated voltage	12 V DC	24 V DC
Allowable operating voltage range	10.2 to 15.6 V DC	20.4 to 31.2 V DC
Ambient temperature	-20 to 60°C	
Ambient humidity	45 to 85% RH	
Counting range	0 to 9999.9 hours	
Minimum time display	6 minutes	
Protective construction	IP66 (at panel surface)	
Vibration resistance	10 to 55 Hz: 1 cycle/min double amplitude of 0.5 mm (10 min on 3 axes)	
Shock resistance (functional)	Min. 98 m/s ² (4 times on 3 axes)	
Shock resistance (destructive)	Min. 980 m/s ² (5 times on 3 axes)	
Rated power consumption	1.5 W (With rated voltage applied, at 25°C)	
Available standards	UL, CSA, CE	

DIMENSIONS

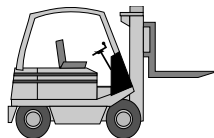
mm

**APPLICATIONS**

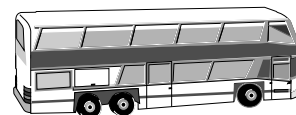
- Compact vessels



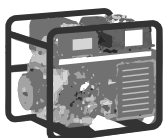
- Construction machines



- Busses



- Generators



- Agricultural machines

