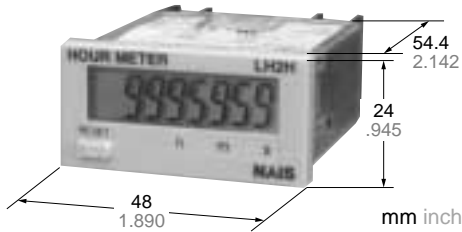


**FEATURES**

- No external power needed (lithium battery built in).**
  - 10 year battery life.
  - Battery replaceable.
- Industry first, bright, 2-color back light (voltage input type.)**
  - Green and red light interchangeable.
  - Bright, easy-to-read screen.
- Big 7-digit display.**
  - 8.7 mm tall digits (largest on the market.)
- Wide measuring time range (Interchangeable)**
  - 999999.9h/3999d23.9h 999h59m59s/9999h59.9m
- Plenty of input methods.**
  - Non-voltage input, DC voltage input, free vol. input.
- Conforms with IP66 environment durability (surface panel)**
- Additional color (black) for front cover available.**



Flush mounting type

**SPECIFICATION**
**● Flush mounting type**

Item	type	Standard type		With backlight type	Standard type
		Non-voltage input	Voltage input		Free voltage input
No. of digit		7			
Power supply		Built-in battery			
Counting range		0D999999.9h/0-3999d23.9h (Selctable by switch) 0D999h59m59s/0-9999h59.9h (Selctable by switch)			
Display method		7-segment LCD	7-segment LCD	7-segment LCD With backlight switchable (Green, red)	7-segment LCD
Backlight power supply		—		DC 24 V (±10%)	—
Protective construction		IP66 (front panel with a rubber gasket)			
Battery life		10 years (at 25°C 68°F) (Lithium battery)			

**● PC board mounting type**

Item	type	PC board mounting
Input method		Non-voltage input
No. of digit		7
Rated operating voltage		3 V DC
Allowable operating voltage range		2.7 to 3.3 V DC
Current consumption		20 µA Max (Reset input: Max. 200 µA)
Counting range		0D999999.9h    0D9999h59.9m

**● Common specifications**

Item	type	Flush mounting type	PC board mounting type
Time accurately		±100 ppm (25°C)	
Vibration resistance	Functional	10 to 55 Hz: 1 cycle/min single amplitude of 0.15 mm (10 min on 3 axes)	
	Destructive	10 to 55 Hz: 1 cycle/min single amplitude of 0.375 mm (1 h on 3 axes)	
Shock resistance	Functional	Min. 98m/s <sup>2</sup> {10G} (4 times on 3 axes)	
	Destructive	294m/s <sup>2</sup> {30G} (5 times on 3 axes)	
Ambient temperature		-10 to 55°C +14 to 131°F (Not freezing and condensing at low temperature)	
Storage temperature		-25 to 65°C -13 to 149°F (Not freezing and condensing at low temperature)	
Ambient humidity		35 to 85%RH	

**PRODUCT TYPE**
**● Standard type**

Digit	Mounting	Counting range	Reset button on front	Input method	Part No.
7	Flush mounting	0-999999.9h/ 0-3999d23.9h (switchable)	Available	Non- voltage input	LH2H-F-DHK
		0-999h59m59s/ 0-9999d59.9m (switchable)			LH2H-F-HMK
		0-999999.9h/ 0-3999d23.9h (switchable)		Voltage input (4.5 to 30 V DC)	LH2H-F-DHK-DL
		0-999h59m59s/ 0-9999h59.9m (switchable)			LH2H-F-HMK-DL
		0-999999.9h/ 0-3999d23.9h (switchable)		Free voltage input (24 to 240 V AC/DC)	LH2H-F-DHK-FV
		0-999h59m59s/ 0-9999h59.9m (switchable)			LH2H-F-HMK-FV
	PC board mounting	0-999999.9h	None	Non- voltage input	LH2H-C-H-N
		0-9999h59.9m			LH2H-C-HM-N

**● With backlight type**

Digit	Mounting	Counting speed	Reset button on front	Input method	Part No.
7	Flush mounting	0-999999.9h/ 0-3999d23.9m (switchable) 0-999h59m59s/ 0-9999h59.9m (switchable)	Available	Voltage input (4.5 to 30 V DC)	LH2H-F-DHK-DL-B LH2H-F-HMK-DL-B

**● Accessory**

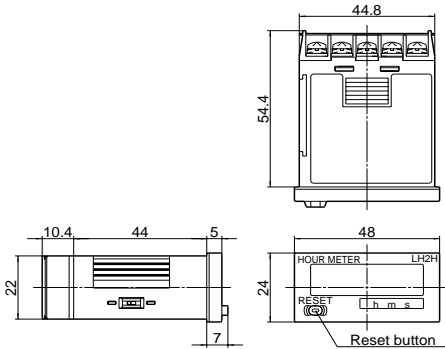
black front cover for all types	Part. No.: ATH 3801
---------------------------------	---------------------

## MODEL CONFIGURATION

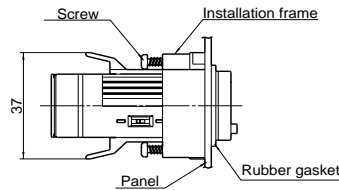
	Standard type			With back light type
	Non-voltage input method	Non-voltage input method (4.5 to 30 V DC)	Free voltage input method (24 to 240 V AC/DC)	Non-voltage input method (4.5 to 30 V DC)
Flush mounting type	Available	Available	Available	Available
PC board mounting type	Available	—	—	—

## DIMENSIONS

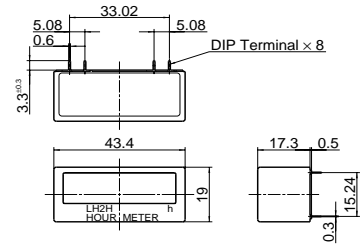
Flush mounting type



Installation



PC board mounting type

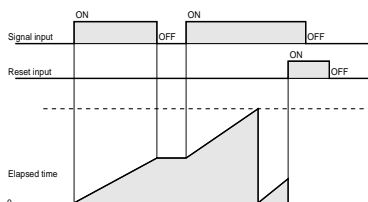


## REPLACEMENT OF OLD LH24 HOUR METERS BY NEW PRODUCTS LH2H:

● LH24 Hour Meters ⇨ LH2H Hour Meters

Mounting	Input method	old	new
		LH24	LH2H
Flush mounting	Non-voltage input	LH24-F-DH	LH2H-F-DHK
		LH24-F-H	
		LH24-F-HM	
PC board mounting	Non-voltage input	LH24-C-H	LH2H-C-H-N
		LH24-C-HM	LH2H-C-HM-N
Flush mounting	Non-voltage input	LH24-F-DH-N	LH2H-F-DHK
		LH24-F-H-N	
		LH24-F-HM-N	
	Free voltage input (100 to 120 V AC/DC)	LH24-F-DH-AL	LH2H-F-DHK-FV
		LH24-F-H-AL	
		LH24-F-HM-AL	
	Free voltage input (200 to 240 V AC/DC)	LH24-F-DH-AH	LH2H-F-DHK-FV
		LH24-F-H-AH	
		LH24-F-HM-AH	
	Voltage input (4.5 to 30 V DC)	LH24-F-DH-DL	LH2H-F-DHK-DL
		LH24-F-H-DL	
		LH24-F-HM-DL	
	Free voltage input (100 to 120 V AC/DC)	LH24-F-DH-AL-N	LH2H-F-DHK-FV
		LH24-F-H-AL-N	
		LH24-F-HM-AL-N	
Free voltage input (200 to 240 V AC/DC)	LH24-F-DH-AH-N	LH2H-F-DHK-FV	
	LH24-F-H-AH-N		
	LH24-F-HM-AH-N		LH2H-F-HMK-FV
Voltage input (4.5 to 30 V DC)	LH24-F-DH-DL-N	LH2H-F-DHK-DL	
	LH24-F-H-DL-N		
	LH24-F-HM-DL-N		LH2H-F-HMK-DL

## OPERATING EXPLANATION



- 1) Time is counted while the counting input is ON. The decimal point on the front panel LCD flashes during counting operation.
- 2) When the elapsed (measuring) time is fullscale, the display returns to "0" and measurement starts from "0" again.
- 3) While the reset input is ON, the signal time is not counted and the display is

- 4) To reset the hour meter manually, press the rest button on the front (only on the type with reset button on front).
- "0". In the case of the PC board mounting type, while the reset input is ON, the display does not change. However, when the reset input becomes OFF, the display will change to "0".