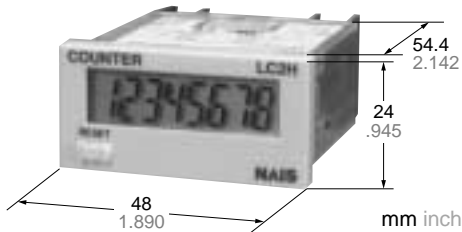




FEATURES

1. **No external power needed (lithium battery built in).**
 - min. 6 year battery life.
 - Battery replaceable.
2. **Industry first, bright, 2-color back light (voltage input type.)**
 - Green and red light interchangeable.
 - Bright, easy-to-read screen.
3. **Big 8-digit display.**
 - 8.7 mm tall digits (largest on the market)
4. **Plenty of input methods.**
 - Non-voltage input, DC voltage input, free vol. input.
5. **Counting speed switchable between 2 kHz and 30 Hz**
6. **Conforms with IP66 environment durability (surface panel).**
7. **Additional color (black) for front cover available.**



Flush mounting type

SPECIFICATIONS

● **Flush mounting type**

Item	type	Standard type		With backlight type	Standard type
		Non-voltage input	Voltage input		Free voltage input
No. of digit		8			
Power supply		Built-in battery			
Max. counting speed		2 kHz/30 Hz (switchable)			30 Hz Notes) 1
Display method		7-segment LCD	7-segment LCD	7-segment LCD With backlight switchable (Green, red)	7-segment LCD
Backlight power supply		—		DC 24 V (±10%)	—
Protective construction		IP66 (front panel with a rubber gasket)			
Battery life		7 years (at 25°C 68°F) Notes) 2			6 years (at 25°C 68°F)

Note: 1. 25 Hz when using 24 V AC.

2. Life calculated based on continuous operation (count input signal ON : OFF = 1 : 1). This value is not guaranteed.

● **PC board mounting type**

Item	type	PC board mounting
Input method		Non-voltage input
No. of digit		8
Rated operating voltage		3 V DC
Allowable operating voltage range		2.7 to 3.3 V DC
Current consumption		30 μA Max (Reset input: Max. 250 μA)
Max. counting speed		2 kHz 30 Hz

● **Common specifications**

Item	type	Flush mounting type	PC board mounting type
		Vibration resistance	Functional: 10 to 55 Hz: 1 cycle/min single amplitude of 0.15 mm (10 min on 3 axes) Destructive: 10 to 55 Hz: 1 cycle/min single amplitude of 0.375 mm (1 h on 3 axes)
Shock resistance	Functional	Min. 98m/s ² {10G} (4 times on 3 axes)	
	Destructive	294m/s ² {30G} (5 times on 3 axes)	
Ambient temperature		-10 to 55°C +14 to 131°F (Not freezing and condensing at low temperature)	
Storage temperature		-25 to 65°C -13 to 149°F (Not freezing and condensing at low temperature)	
Ambient humidity		35 to 85%RH	

MODEL CONFIGURATION

	Standard type			With back light type
	Non-voltage input method	Non-voltage input method (4.5 to 30 V DC)	Free voltage input method (24 to 240 V AC/DC)	Non-voltage input method (4.5 to 30 V DC)
Flush mounting type	Available	Available	Available	Available
PC board mounting type	Available	—	—	—

PRODUCT TYPE

● Standard type

Digit	Mounting	Counting speed	Reset button on front	Input method	Part No.
8	Flush mounting	2 kHz/30 Hz switchable	Available	Non- voltage input	LC2H-F-2KK
				Voltage input (4.5 to 30 V DC)	LC2H-F-DL-2KK
	PC board mounting	2 kHz	None	Free voltage input (24 to 240 V AC/DC)	LC2H-F-FV-30
				30 Hz	Non- voltage input

● With backlight type

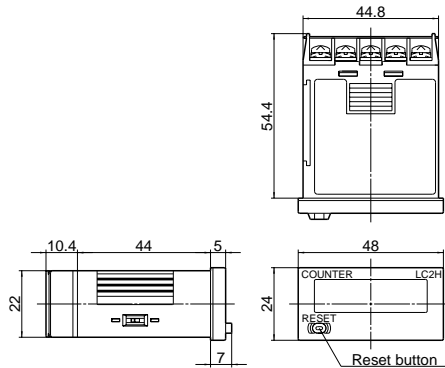
Digit	Mounting	Counting speed	Reset button on front	Input method	Part No.
8	Flush mounting	2 kHz/30 Hz switchable	Available	Voltage input (4.5 to 30 V DC)	LC2H-F-DL-2KK-B

● Accessory

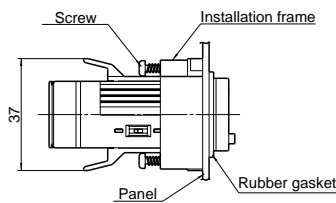
black front cover for all types	Part. No.: AEL 3801
---------------------------------	---------------------

DIMENSIONS

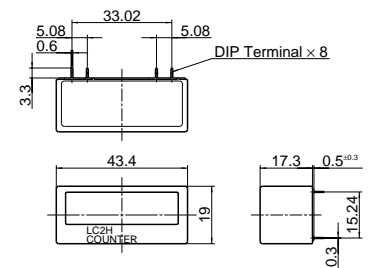
Flush mounting type



Installation



PC board mounting type

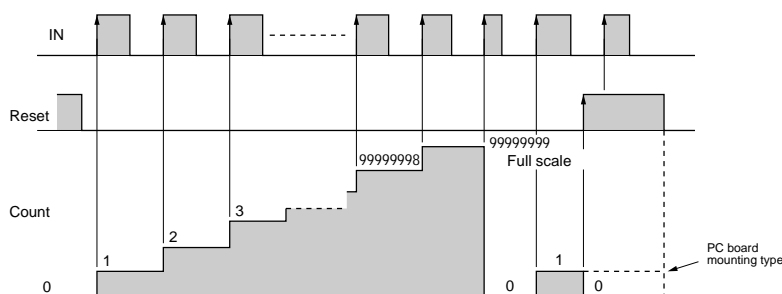


REPLACEMENT OF OLD LC24 COUNTERS BY NEW PRODUCTS LC2H:

● LC24 Counters → LC2H Counters

Mounting	Input method	old	new
Flush mounting	Non-voltage input	LC24-F	LC2H-F-2KK
PC board mounting	Non-voltage input	LC24-C	LC-2H-C-30-N
Flush mounting	Non-voltage input	LC24-F-N	LC2H-F-2KK
	Free voltage input (100 to 120 V AC/DC)	LC24-F-AL	LC2H-F-FV-30
	Free voltage input (200 to 240 V AC/DC)	LC24-F-AL-N	
		LC24-F-AH	
	Voltage input (4.5 to 30 V DC)	LC24-F-AH-N	LC2H-F-DL-2KK
	LC24-F-DL		
		LC24-F-DL-N	

OPERATION EXPLANATION



- 1) Numbers are counted with each count input signal is sent.
- 2) When at 99999999 (full-scale value), the counter resets to zero with the next input signal and keeps on counting.
- 3) With a reset input too, the counter resets to zero. No counting is performed while the reset signal is being accepted. On the PC board-mounting type, the display remains the same while the reset signal is being received, but reads "0" when reception is complete. (If the reset signal goes out and a count signal comes in, "1" is displayed.)
- 4) To reset the hour meter manually, press the rest button on the front (only on the type with reset button on front).