

PART No. LIST

Main Unit and Tool Software

Product name	Description					Part No.
	LCD	Power supply	Communication port	Color of main unit	SD memory card slot	
GT02M	STN monochrome LCD (white/pink/red, backlight)	5 V DC	RS232C	Hairline silver	—	AIG02MQ03D
			RS422 (RS485)			AIG02MQ05D
		24 V DC	RS232C			AIG02MQ13D
			RS422 (RS485)			AIG02MQ15D
			RS232C			AIG02MQ23D
			RS422 (RS485)			AIG02MQ25D
GT02G	STN monochrome LCD (green/orange/red, backlight)	5 V DC	RS232C	Pure black	—	AIG02GQ02D
			RS422 (RS485)			AIG02GQ04D
		24 V DC	RS232C			AIG02GQ12D
			RS422 (RS485)			AIG02GQ14D
			RS232C			AIG02GQ22D
			RS422 (RS485)			AIG02GQ24D
GT02L	STN monochrome LCD (white, backlight)	5 V DC	RS232C	Pure black	—	AIG02LQ02D
			RS422 (RS485)			AIG02LQ04D
GT05M	STN monochrome LCD (white/pink/red, backlight)	24 V DC	RS232C	Pure black	○	AIG05MQ02D
				Hairline silver		AIG05MQ03D
			RS422 (RS485)	Pure black	○	AIG05MQ04D
				Hairline silver		AIG05MQ05D
GT05G	STN monochrome LCD (green/orange/red, backlight)	24 V DC	RS232C	Pure black	○	AIG05GQ02D
				Hairline silver		AIG05GQ03D
			RS422 (RS485)	Pure black	○	AIG05GQ04D
				Hairline silver		AIG05GQ05D
GT05S	STN color LCD	24 V DC	RS232C	Pure black	○	AIG05SQ02D
				Hairline silver		AIG05SQ03D
			RS422 (RS485)	Pure black	○	AIG05SQ04D
				Hairline silver		AIG05SQ05D
GT12G	STN monochrome LCD (green/orange/red, backlight)	24 V DC	RS232C	Pure black	○	AIG12GQ12D
				Hairline silver		AIG12GQ13D
			RS422 (RS485)	Pure black	○	AIG12GQ14D
				Hairline silver		AIG12GQ15D
GT12M	STN monochrome LCD (white/pink/red, backlight)	24 V DC	RS232C	Pure black	○	AIG12MQ12D
				Hairline silver		AIG12MQ13D
			RS422 (RS485)	Pure black	○	AIG12MQ14D
				Hairline silver		AIG12MQ15D
GT21C	STN color LCD	24 V DC	RS232C	Pure black	—	AIGT2230B
				Hairline silver		AIGT2230H
			RS422 (RS485)	Pure black	—	AIGT2232B
				Hairline silver		AIGT2232H
GT32M	STN monochrome LCD	24 V DC	RS232C	Pure black	○	AIG32MQ02D
				Hairline silver		AIG32MQ03D
			RS422 (RS485)	Pure black	○	AIG32MQ04D
				Hairline silver		AIG32MQ05D
GT32T0	TFT color LCD	24 V DC	RS232C	Pure black	○	AIG32TQ02D
				Hairline silver		AIG32TQ03D
			RS422 (RS485)	Pure black	○	AIG32TQ04D
				Hairline silver		AIG32TQ05D
GT32T1	TFT color LCD	24 V DC	RS232C	Pure black	○	AIG32TQ12D
				Hairline silver		AIG32TQ13D
			RS422 (RS485)	Pure black	○	AIG32TQ14D
				Hairline silver		AIG32TQ15D
Terminal GTWIN Ver.2.A	Japanese version	Terminal GTWIN CD-ROM				AIGT8000V2
	English version	Terminal GTWIN CD-ROM				AIGT8001V2

FIBER
SENSORSLASER
SENSORSPHOTO-
ELECTRIC
SENSORSMICRO
PHOTO-
ELECTRIC
SENSORSAREA
SENSORSLIGHT
CURTAINSPRESSURE /
FLOW
SENSORSINDUCTIVE
PROXIMITY
SENSORSPARTICULAR
USE
SENSORSSENSOR
OPTIONSSIMPLE
WIRE-SAVING
UNITSWIRE-SAVING
SYSTEMSMEASURE-
MENT
SENSORSSTATIC
CONTROL
DEVICES

ENDOSCOPE



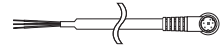

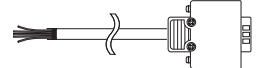
LASER
MARKERSPLC/
TERMINALSHUMAN
MACHINE
INTERFACESENERGY
CONSUMPTION
VISUALIZATION
COMPONENTSFA
COMPONENTSMACHINE
VISION
SYSTEMSUV
CURING
SYSTEMSProgrammable
Display

Classification

GT
series

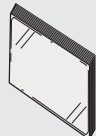
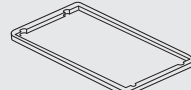
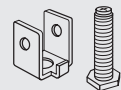
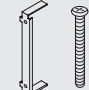
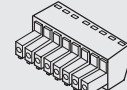

Cables

PLC connection cable

Programmable display	Connection cable	PLC
GT02 (5V) GT02L (5 V DC, RS232C)	 Part No.: AIGT8142* PLC connection cable (2 m 6.562 ft), 5-pin mini-DIN connector (4 single wires) + Shielding wire	Panasonic Electric Works SUNX FP series
GT02 (5V) GT02L (5 V DC, RS422/RS485)	 Part No.: AIGT8152* PLC connection cable (2 m 6.562 ft), 8-pin mini-DIN connector (6 single wires) + Shielding wire	Mitsubishi Electric FX series
GT series (24 V DC, RS232C)	 Part No.: AIGT8162 PLC connection cable (2 m 6.562 ft), 5-pin mini-DIN connector (3 single wires) + Shielding wire AIGT8165 (5 m 16.404 ft) and AIGT8160 (10 m 32.808 ft) are also available.	Panasonic Electric Works SUNX FP series
GT series (24 V DC, RS422/RS485)	 Part No.: AIGT8175 PLC connection cable (5 m 16.404 ft), 8-pin mini-DIN connector (4 single wires) + Shielding wire	Mitsubishi Electric FX series
GT series (24 V DC, RS232C)	 Part No.: AIP81842 PLC connection cable (2 m 6.562 ft), 9-pin D-SUB connector (open wire)	FP2/FP2SH COM port, 9-pin D-SUB connector example, CCU

*For GT05/GT32, please use a commercially available A-B type USB cable. For or GT02/GT12, please use a commercially available miniUSB cable.

Options

					
■ Panel face protection sheets	■ Waterproof packing	■ GT02/02L/12 mounting parts	■ GT05/GT21C/GT32 mounting parts	■ Spare connector	■ GT02/GT05/GT12/GT32 backup battery
10 sheets in a set (option)	Waterproof packing (for replacement), 10 pieces in a set One set is installed on main unit.	5 sets of mounting parts (4 parts/set) One set is installed on main unit.	5 sets of GT05/GT21C/GT32 mounting parts (2 parts/set) One set is installed on main unit.	COM. port connectors, 5 connectors in a set One set is installed on main unit.	*For GT21C, please purchase a commercially available CR2032 battery.
GT02 Part No.: AIG02800 GT05 Part No.: AIG05800 GT12 Part No.: AIG12800 GT21 Part No.: AIGT28021 GT32 Part No.: AIG32800	GT02 Part No.: AIG02810 GT05 Part No.: AIG05810 GT12 Part No.: AIG12810 GT21 Part No.: AIGT28121 GT32 Part No.: AIG32810	GT02/12 Part No.: AIG12830	GT05/GT21C Part No.: AIGT28321 GT32 Part No.: AIG32830	Part No.: AIGT084	Part No.: AFPX-BATT

FIBER SENSORS

LASER SENSORS

PHOTO-ELECTRIC SENSORS

MICRO PHOTO-ELECTRIC SENSORS

AREA SENSORS

LIGHT CURTAINS

PRESSURE / FLOW SENSORS

INDUCTIVE PROXIMITY SENSORS

PARTICULAR USE SENSORS

SENSOR OPTIONS

WIRE-SAVING UNITS

WIRE-SAVING SYSTEMS

MEASUREMENT SENSORS

STATIC CONTROL DEVICES

ENDOSCOPE

LASER MARKERS

PLC / TERMINALS

HUMAN MACHINE INTERFACES

ENERGY CONSUMPTION VISUALIZATION COMPONENTS

FA COMPONENTS

MACHINE VISION SYSTEMS

UV CURING SYSTEMS

Programmable Display

Classification

GT series