

MU Series

Slim-Line, General-Purpose Models

140mm-28mm



Materials

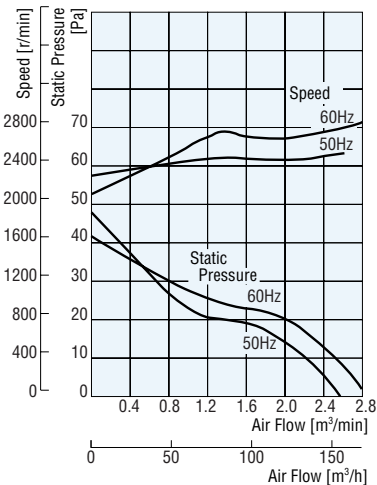
Frame : Die Cast Aluminum
 Blades : Resin
 Flammability Grade: V-0

Specifications

Model	Voltage V	Frequency Hz	Input Power W	Current A	Locked Rotor Current A	Speed r/min	Max. Air Flow m³/min (m³/h)	Max. Static Pressure Pa	Noise Level dB (A)
MU14285-51	220	50	12.0	0.07	0.08	2400	2.4(144)	43	44
	230	50	13.5	0.08	0.08	2500	2.5(150)	45	45
	230	60	12.0	0.07	0.08	2700	2.7(162)	34	46

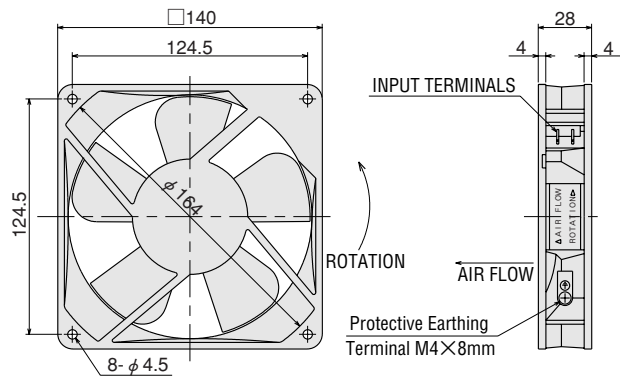
- Values for maximum air flow and maximum static pressure are measured by the double-chamber method.
- Noise level is measured in the A range, at a distance of 1m from the fan intake side.
- This product is impedance protected.
- Fans bearing the CE mark should only be used with Class I equipment. When installing into the equipment, either earth the fan or ensure that there is no contact with bare hands. For protection, use the optional finger guard. Standards specifications are listed on page D-2.

Air Flow – Static Pressure Characteristics



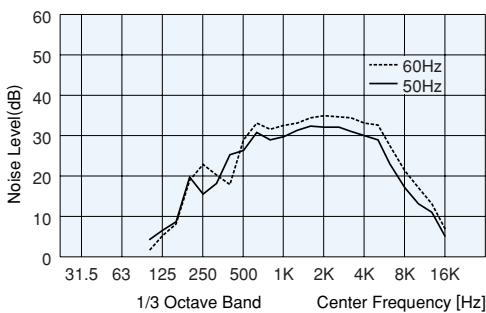
Dimensions (Scale 1/4, Unit=mm)

● Mass: 0.4kg

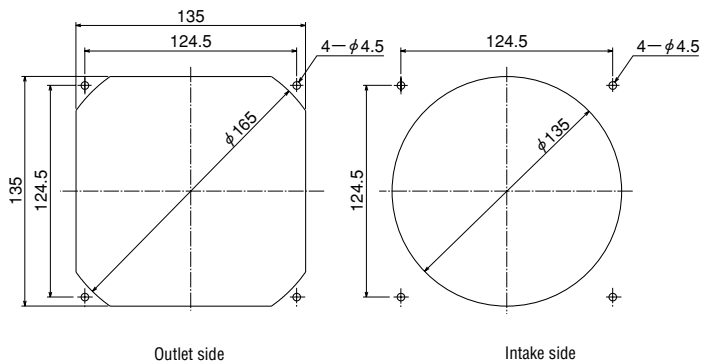


Audible Noise Frequency Analysis

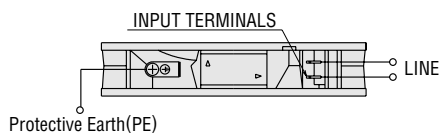
Measured at a distance of 1m from the fan intake side



Panel Cut-Out (Scale 1/4, Unit: mm)



Wiring Diagram



Accessories (Sold separately)

Item	Model	Safety Standards	Page
Finger Guard	FG14D	*1	C-98
Plug Cord(1m)	PCA2B	*2	C-104

- *1 These products have been designed to pass tests set forth under the UL and CSA standards for equipment used in fans. They conform to the standards only when used in an **ORIX.FAN**.
- *2 They conform to UL standard only when used in an **ORIX.FAN**, and certified by CSA and Electrical Appliance and Material Control Law.



MU Series

Slim-Line, General-Purpose Models

119mm-38mm



Materials

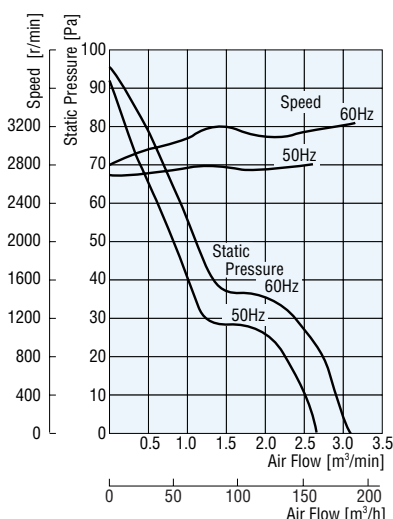
Frame : Die Cast Aluminum
 Blades : Resin
 Flammability Grade: V-O

Specifications

Model	Voltage V	Frequency Hz	Input Power W	Current A	Locked Rotor Current A	Speed r/min	Max. Air Flow m³/min (m³/h)	Max. Static Pressure Pa	Noise Level dB (A)
MU1238A-51B	Single-Phase 220	50	13.5	0.10	0.14	2700	2.7(162)	81	43
	Single-Phase 230	50	16.0	0.11	0.15	2700	2.7(162)	81	43
	Single-Phase 230	60	13.5	0.10	0.13	3050	3.0(180)	81	46
MU1238A-21B	Single-Phase 115	50	14.0	0.20	0.26	2700	2.7(162)	81	43
	Single-Phase 115	60	13.0	0.18	0.23	3050	3.0(180)	81	46

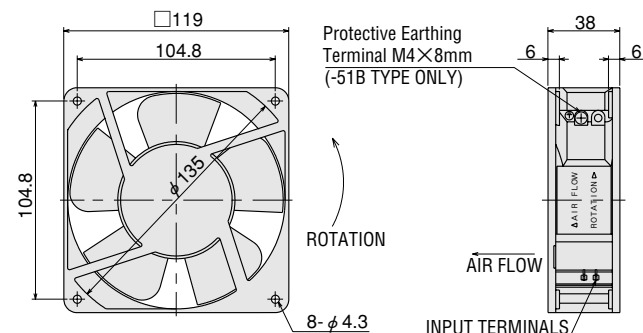
- Values for maximum air flow and maximum static pressure are measured by the double-chamber method.
- Noise level is measured in the A range, at a distance of 1m from the fan intake side.
- These products are impedance protected.
- Fans bearing the CE mark should only be used with Class I equipment. When installing into the equipment, either earth the fan or ensure that there is no contact with bare hands. For protection, use the optional finger guard. Standards specifications are listed on page D-2.

Air Flow – Static Pressure Characteristics

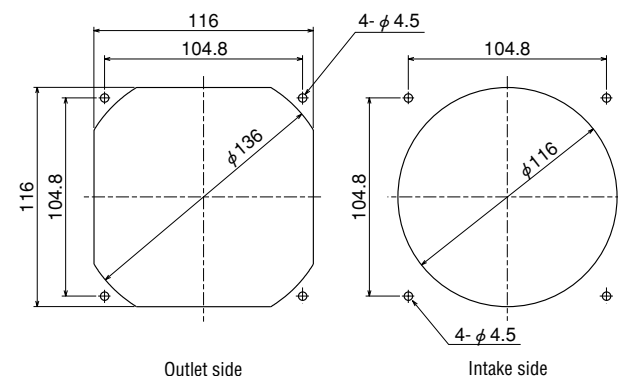


Dimensions (Scale 1/4, Unit=mm)

• Mass: 0.53kg

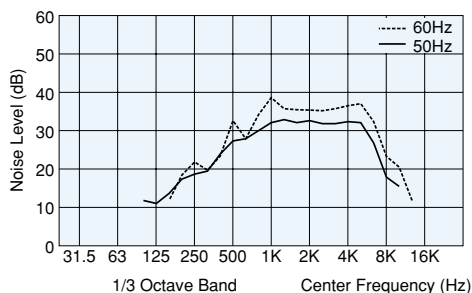


Panel Cut-Out (Scale 1/4, Unit: mm)

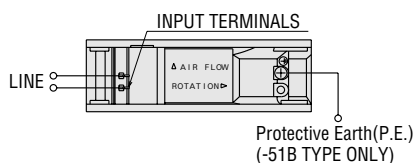


Audible Noise Frequency Analysis

Measured at a distance of 1m from the fan intake side



Wiring Diagram

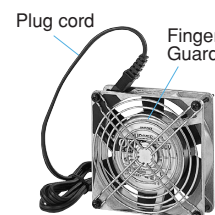


Accessories (Sold separately)

Item	Model	Safety Standards	Page
Finger Guard	FG12D	*1	C-98
Filter	FL12	—	C-101
Screen	FS12	—	C-103
Plug Cord(1m)	PCA2B	*2	C-104

*1 These products have been designed to pass tests set forth under the UL and CSA standards for equipment used in fans. They conform to the standards only when used in an **ORIX.FAN**.

*2 They conform to UL standard only when used in an **ORIX.FAN**, and certified by CSA and Electrical Appliance and Material Control Law.



• A filter or screen can be installed in place of the finger guard.

MU Series

Slim-Line, General-Purpose Models

119mm-25mm



Materials

Frame : Die Cast Aluminum

Blades : Resin

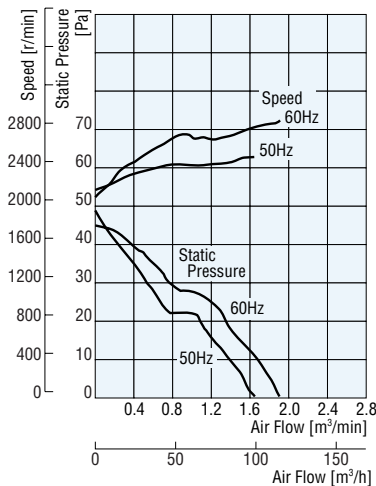
Flammability Grade: V-O

Specifications

Model	Voltage V	Frequency Hz	Input Power W	Current A	Locked Rotor Current A	Speed r/min	Max. Air Flow m³/min (m³/h)	Max. Static Pressure Pa	Noise Level dB (A)
MU12255-51	Single-Phase 220	50	10.5	0.07	0.08	2500	1.6(96)	49	36
	Single-Phase 230	50	12.0	0.08	0.09	2500	1.6(96)	49	36
	Single-Phase 230	60	10.0	0.07	0.08	2950	1.9(114)	44	40
MU12255-21	Single-Phase 115	50	11.0	0.14	0.15	2500	1.6(96)	49	36
	Single-Phase 115	60	9.5	0.12	0.13	2950	1.9(114)	44	40

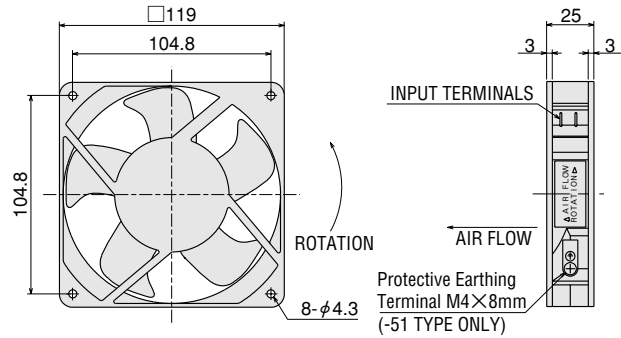
- Values for maximum air flow and maximum static pressure are measured by the double-chamber method.
- Noise level is measured in the A range, at a distance of 1m from the fan intake side.
- These products are impedance protected.
- Fans bearing the CE mark should only be used with Class I equipment. When installing into the equipment, either earth the fan or ensure that there is no contact with bare hands. For protection, use the optional finger guard. Standards specifications are listed on page D-2.

Air Flow – Static Pressure Characteristics

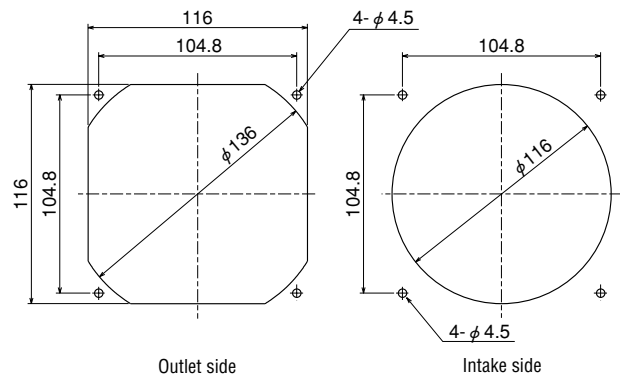


Dimensions (Scale 1/4, Unit=mm)

● Mass: 0.31kg

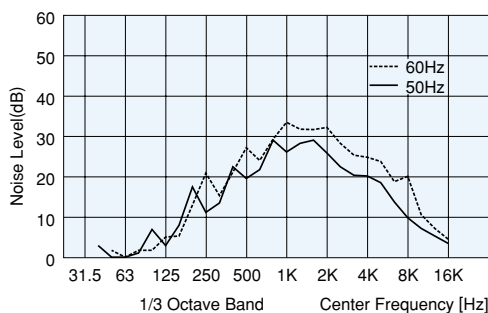


Panel Cut-Out (Scale 1/4, Unit: mm)

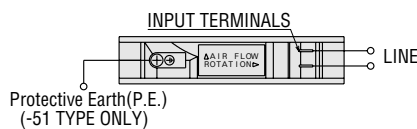


Audible Noise Frequency Analysis

Measured at a distance of 1m from the fan intake side



Wiring Diagram



Accessories (sold separately)

Item	Model	Safety Standards	Page
Finger Guard	FG12D	*1	C-98
Filter	FL12	—	C-101
Screen	FS12	—	C-103
Plug Cord(1m)	PCA2B	*2	C-104

*1 These products have been designed to pass tests set forth under the UL and CSA standards for equipment used in fans.

They conform to the standards only when used in an **ORIX.FAN**.

*2 They conform to UL standard only when used in an **ORIX.FAN**, and certified by CSA and Electrical Appliance and Material Control Law.



● A filter or screen can be installed in place of the finger guard.

MU Series

Slim-Line, General-Purpose Models

104mm-25mm



Materials

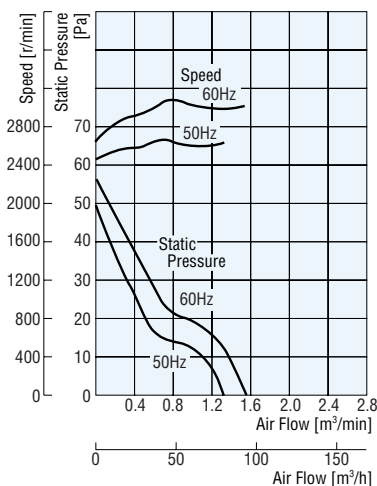
Frame : Die Cast Aluminum
 Blades : Resin
 Flammability Grade: V-O

Specifications

Model	Voltage V	Frequency Hz	Input Power W	Current A	Locked Rotor Current A	Speed r/min	Max. Air Flow m³/min (m³/h)	Max. Static Pressure Pa	Noise Level dB (A)
MU1025S-51	230	50	11.0	0.06	0.07	2500	1.2(72)	39	35
		60	9.5	0.05	0.06	2900	1.4(84)	44	39

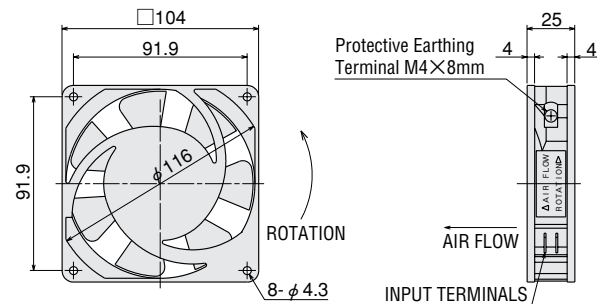
- Values for maximum air flow and maximum static pressure are measured by the double-chamber method.
- Noise level is measured in the A range, at a distance of 1m from the fan intake side.
- These products are impedance protected.
- Fans bearing the CE mark should only be used with Class I equipment. When installing into the equipment, either earth the fan or ensure that there is no contact with bare hands. For protection, use the optional finger guard. Standards specifications are listed on page D-2.

Air Flow – Static Pressure Characteristics

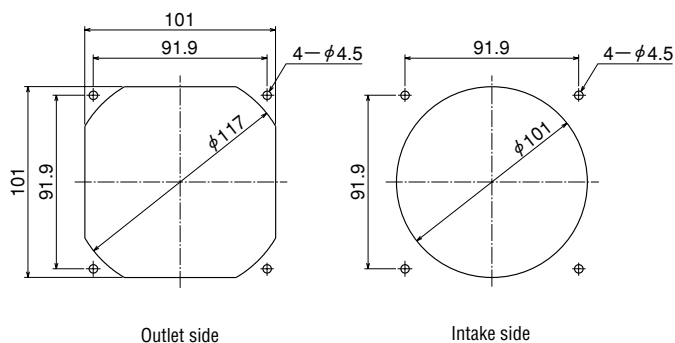


Dimensions (Scale 1/4, Unit=mm)

• Mass: 0.31kg

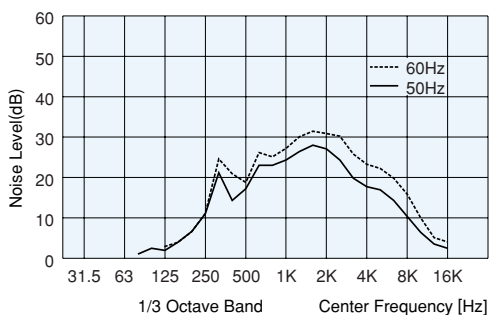


Panel Cut-Out (Scale 1/4, Unit: mm)

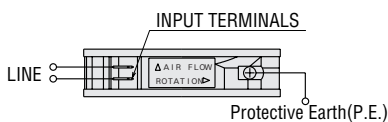


Audible Noise Frequency Analysis

Measured at a distance of 1m from the fan intake side



Wiring Diagram



Accessories (Sold separately)

Item	Model	Safety Standards	Page
Finger Guard	FG10D	*1	C-98
Plug Cord(1m)	PCA2B	*2	C-104

*1 These products have been designed to pass tests set forth under the UL and CSA standards for equipment used in fans. They conform to the standards only when used in an **ORIX.FAN**.

*2 They conform to UL standard only when used in an **ORIX.FAN**, and certified by CSA and Electrical Appliance and Material Control Law.



MU Series

Slim-Line, General-Purpose Models

92mm-25mm



Materials

Frame : Die Cast Aluminum

Blades : Resin

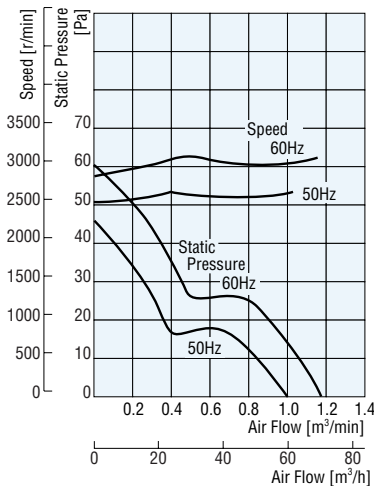
Flammability Grade: V-O

Specifications

Model	Voltage V	Frequency Hz	Input Power W	Current A	Locked Rotor Current A	Speed r/min	Max. Air Flow m ³ /min (m ³ /h)	Max. Static Pressure Pa	Noise Level dB (A)
MU925S-51	Single-Phase 220	50	8.5	0.06	0.07	2600	0.95(57)	44	37
	Single-Phase 230	50	10.5	0.07	0.08	2600	0.95(57)	44	38
	Single-Phase 230	60	8.0	0.06	0.07	3000	1.10(66)	59	42
MU925S-21	Single-Phase 115	50	9.5	0.11	0.12	2600	0.95(57)	44	37
	Single-Phase 115	60	8.0	0.10	0.11	3000	1.10(66)	59	42

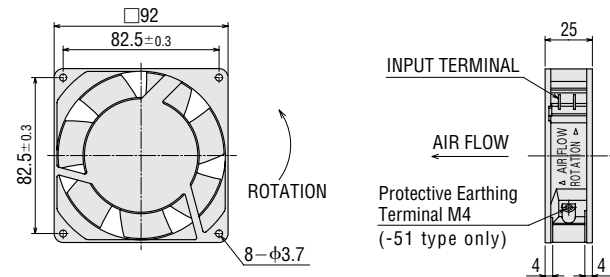
- Values for maximum air flow and maximum static pressure are measured by the double-chamber method.
- Noise level is measured in the A range, at a distance of 1m from the fan intake side.
- These products are impedance protected.
- Fans bearing the CE mark should only be used with Class I equipment. When installing into the equipment, either earth the fan or ensure that there is no contact with bare hands. For protection, use the optional finger guard. Standards specifications are listed on page D-2.

Air Flow – Static Pressure Characteristics

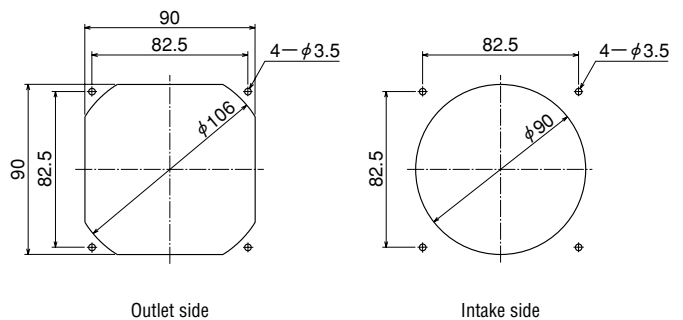


Dimensions (Scale 1/4, Unit=mm)

- Mass: 0.27kg

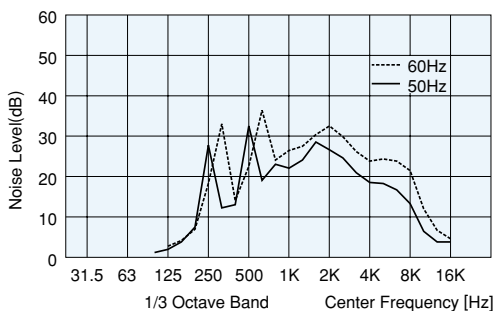


Panel Cut-Out (Scale 1/4, Unit: mm)

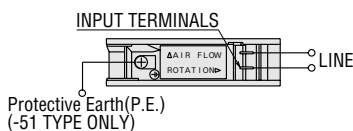


Audible Noise Frequency Analysis

Measured at a distance of 1m from the fan intake side



Wiring Diagram



Accessories (Sold separately)

Item	Model	Safety Standards	Page
Finger Guard	FG9D	*1	C-98
Filter	FL9	—	C-101
Screen	FS9	—	C-103
Plug Cord(1m)	PCA2B	*2	C-104

*1 These products have been designed to pass tests set forth under the UL and CSA standards for equipment used in fans. They conform to the standards only when used in an **ORIX.FAN**.

*2 They conform to UL standard only when used in an **ORIX.FAN**, and certified by CSA and Electrical Appliance and Material Control Law.



- A filter or screen can be installed in place of the finger guard.

MU Series

Slim-Line, General-Purpose Models

80mm-25mm



Materials

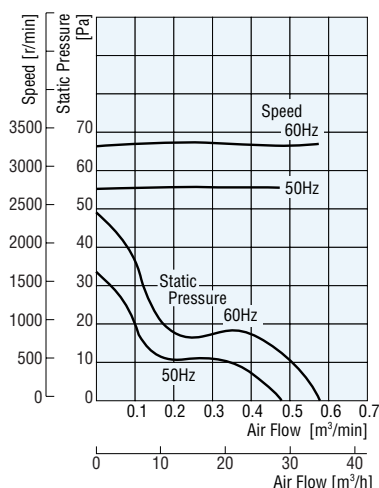
Frame : Die Cast Aluminum
 Blades : Resin
 Flammability Grade: V-O

Specifications

Model	Voltage V	Frequency Hz	Input Power W	Current A	Locked Rotor Current A	Speed r/min	Max. Air Flow m³/min (m³/h)	Max. Static Pressure Pa	Noise Level dB (A)
MU825S-53	Single-Phase 220	50	8.5	0.06	0.07	2750	0.45(27)	34	28
	Single-Phase 230	50	10.5	0.07	0.08	2750	0.45(27)	34	28
	Single-Phase 230	60	8.0	0.06	0.07	3250	0.55(33)	49	35
MU825S-23	Single-Phase 115	50	9.5	0.11	0.13	2750	0.45(27)	34	28
	Single-Phase 115	60	8.0	0.09	0.11	3250	0.55(33)	49	35

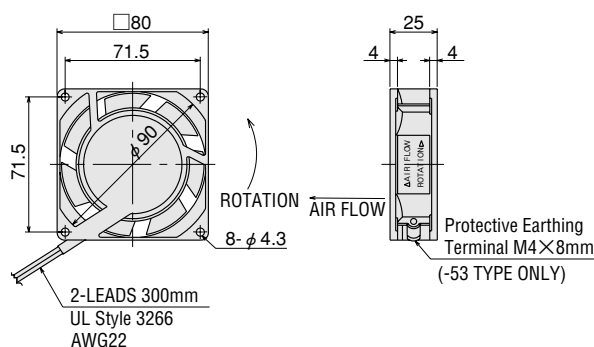
- Values for maximum air flow and maximum static pressure are measured by the double-chamber method.
- Noise level is measured in the A range, at a distance of 1m from the fan intake side.
- These products are impedance protected.
- Fans bearing the CE mark should only be used with Class I equipment. When installing into the equipment, either earth the fan or ensure that there is no contact with bare hands. For protection, use the optional finger guard. Standards specifications are listed on page D-2.

Air Flow – Static Pressure Characteristics

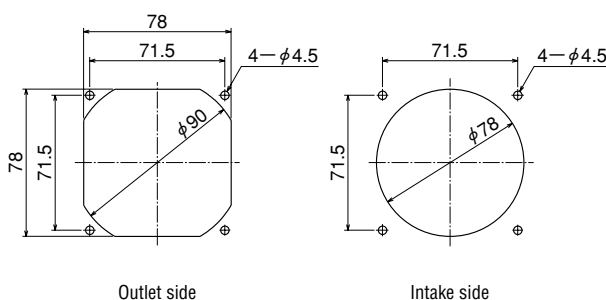


Dimensions (Scale 1/4, Unit=mm)

• Mass: 0.25kg

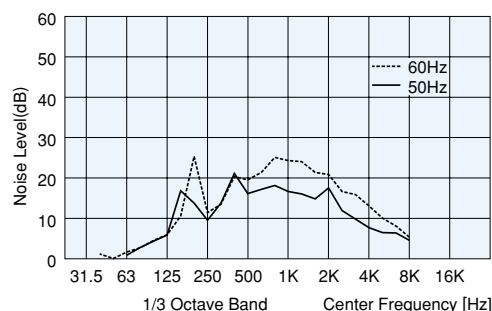


Panel Cut-Out (Scale 1/4, Unit: inch)

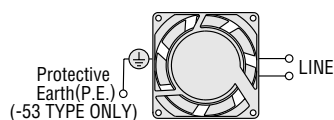


Audible Noise Frequency Analysis

Measured at a distance of 1m from the fan intake side



Wiring Diagram



Accessories (Sold separately)

Item	Model	Safety Standards	Page
Finger Guard	FG8D	*	C-98
Filter	FL8	—	C-101
Screen	FS8	—	C-103

* These products have been designed to pass tests set forth under the UL and CSA standards for equipment used in fans. They conform to the standards only when used in an **ORIX.FAN**.



- A filter or screen can be installed in place of the finger guard.
- The **MU825** does not require a plug cord.