

# MDE Series

## Long-Life Models

120mm-25mm



ORIX FAN

### Materials

- Frame : Die Cast Aluminum
- Blades : Resin
- Flammability Grade: V-O

The 100,000 hours of expected life indicates that more than 90% of fans satisfy following judgement standards when driving at an ambient temperature of 60°C.

### Judgement Standards

- Rotation speed (at rated voltage) : More than 70% of rating
- Input current (at rated voltage) : Within 130% of rating

\*Using these fans at a temperature of 35°C or more and relative humidity of 25% or more may reduce their lives.

## Specifications



Speed Type	Model	Voltage DC V	Current A	Speed r/min	Max. Air Flow m³/min	Max. Static Pressure Pa	Noise Level dB(A)	
Standard-Speed	Stall Alarm Type	<b>MDE1225-12L</b>	12	0.58	3000	2.7	70	46
		<b>MDE1225-24L</b>	24	0.30	3000	2.7	70	46

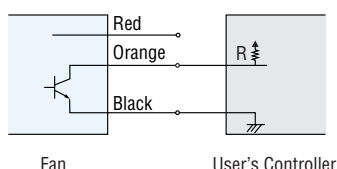
- Values for maximum air flow and maximum static pressure are measured by the double-chamber method.
- Noise level is measured in the A range, at a distance of 1m from the fan intake side.
- Operating Voltage Range : ±15% of the rated voltage.
- An overheat protection function is installed in all the products.
- Do not touch the fan blades when the fan is in operation. The use of the optional finger guard is recommended to ensure protection.

### Alarm Specifications

	Open Collector Output	Internal Transistor	Max. Rating
Normal Operation	Low Level	ON	Current 5mA max.
When locked	High Level	OFF	Voltage 30V max.

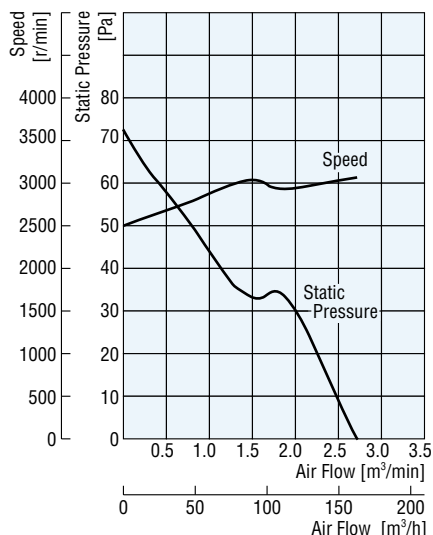
- No alarm delay functions. Alarm(1 sec. or less) is output at the start-up.

### Alarm Circuit



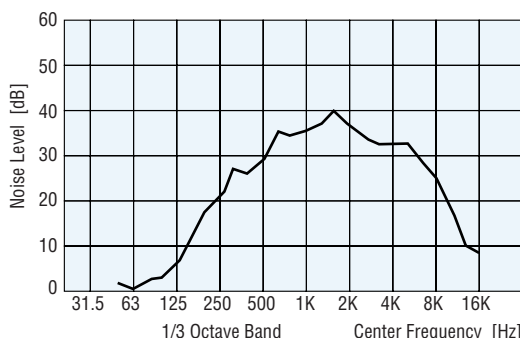
DC12V or DC24V  
 H (Tr=OFF) : Alarm Output  
 L (Tr=ON) : Normal Operation  
 GND (Common to power supply of the fan)  
 Maximum Applied Voltage : DC30V max.  
 Maximum Current : 5mA max.

## Air Flow-Static Pressure Characteristics Curve



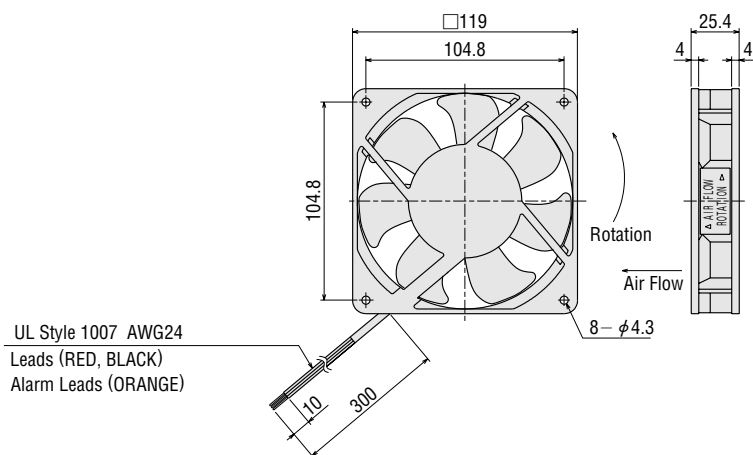
## Audible Noise Frequency Analysis

(Measured at a distance of 1m from the fan intake side)

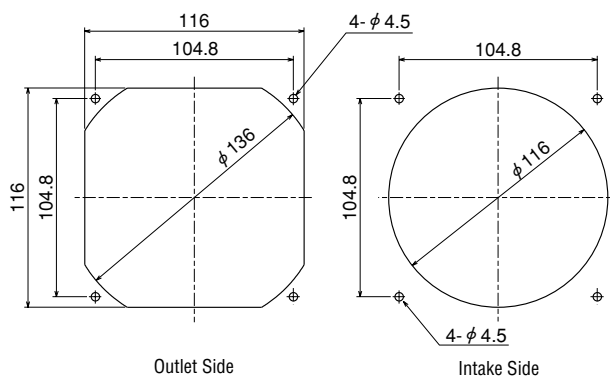


## ■ Dimensions (Scale 1/4 Unit = mm)

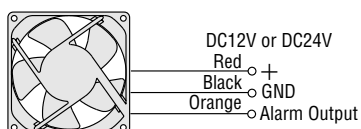
Mass 0.3kg



## ■ Panel Cut-Out (Unit = mm)



## ■ Wiring Diagram



## ■ Accessories (Sold separately)

Item	Model	Safety Standards	Page
Finger Guard	<b>FG12D</b>	*	C-98
Filter	<b>FL12</b>	—	C-101
Screen	<b>FS12</b>	—	C-103

\* These products have been designed to pass tests set forth under the UL and CSA standards for equipment used in fans. They conform to the standards only when used in an **ORIX.FAN**.



Finger Guard.

● A filter or screen can be installed in place of the finger guard.