

MBD Series DC Centrifugal Blowers

Impeller Diameter
φ120mm



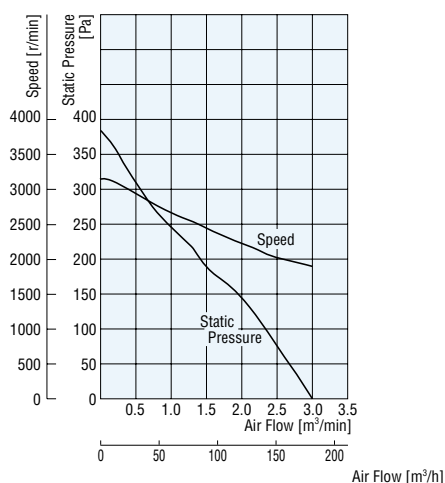
Materials
 Motor Case : Die Cast Aluminum
 Casing : Die Cast Aluminum
 Impeller : Aluminum

Specifications

Model	Rated Voltage DC V	Rated Current A	Rated Speed r/min	Max. Air Flow m ³ /min (m ³ /h)	Max. Static Pressure Pa	Noise Level dB (A)
MBD12-24	24	1.5	1900	3.0 (180)	372	58

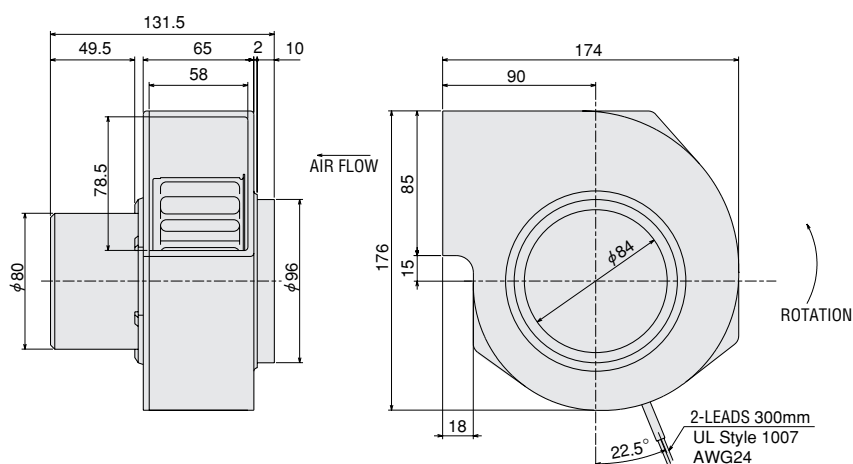
- Values for maximum air flow and maximum static pressure are measured by the double-chamber method.
- Noise level are measured in the A range, at a distance of 1m from the fan intake side
- An overheat protection function is installed.

Air Flow – Static Pressure Characteristics



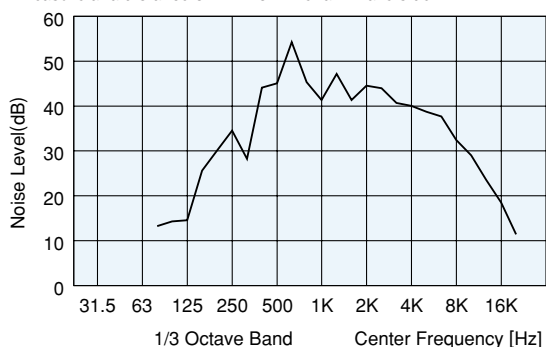
Dimensions (Scale 1/4, Unit=mm)

● Mass : 1.5kg

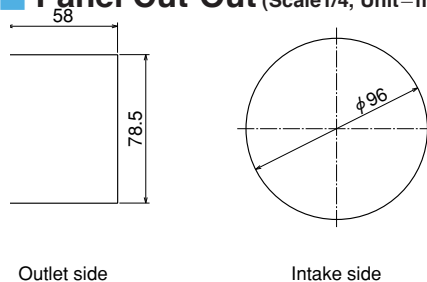


Audible Noise Frequency Analysis

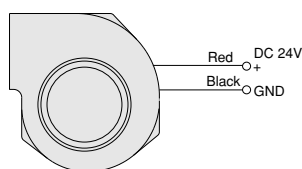
Measure at a distance of 1m from the fan intake side



Panel Cut-Out (Scale 1/4, Unit=mm)



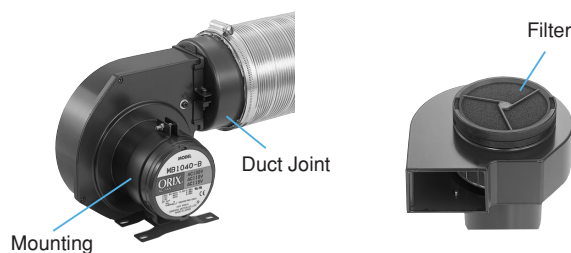
Wiring Diagram



Accessories (Sold separately)

Item	Model	Safety Standards	Page
Finger Guard	FG12	*	C-98
Filter	FL12	—	C-101
Mounting	PAS4B	—	C-105
Duct Joint	FD12	—	C-104

* These products have been designed to pass tests set forth under the UL and CSA standards for equipment used in fans. They conform to the standards only when used in an **ORIX.FAN**.



* A finger guard can be installed in place of the filter.

MBD Series DC Centrifugal Blowers

Impeller Diameter
φ100mm



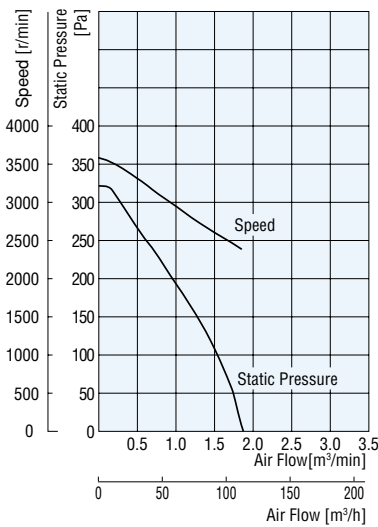
Materials
 Motor Case : Die Cast Aluminum
 Casing : Die Cast Aluminum
 Impeller : Aluminum

Specifications

Model	Rated Voltage	Rated Current	Rated Speed	Max. Air Flow	Max. Static Pressure	Noise Level
	DC V	A	r/min	m ³ /min (m ³ /h)	Pa	dB (A)
MBD10-24	24	1.0	2400	1.95 (117)	294	56

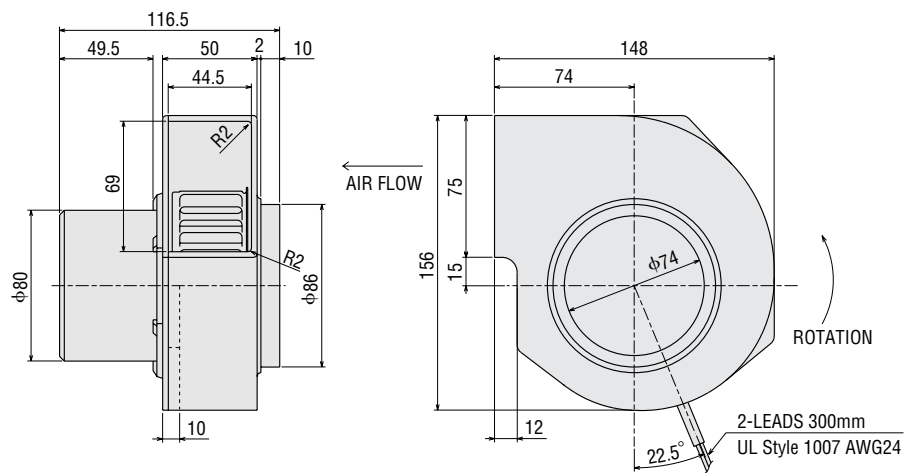
- Values for maximum air flow and maximum static pressure are measured by the double-chamber method.
- Noise level is measured in the A range, at a distance of 1m from the fan intake side
- An overheat protection function is installed.

Air Flow – Static Pressure Characteristics

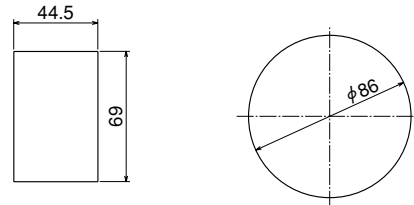


Dimensions (Scale 1/4, Unit=mm)

● Mass : 1.2kg



Panel Cut-Out (Scale 1/4, Unit=mm)

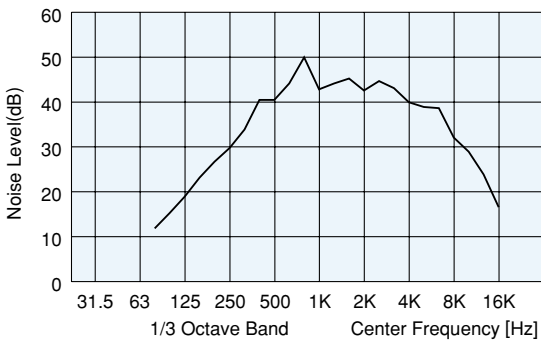


Outlet side

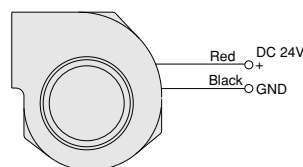
Intake side

Audible Noise Frequency Analysis

Measure at a distance of 1m from the fan intake side



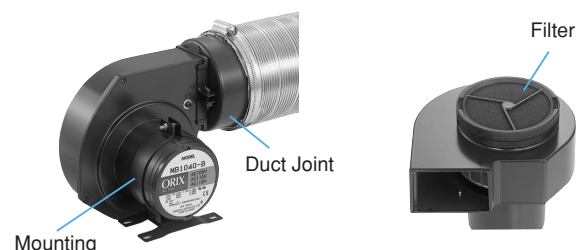
Wiring Diagram



Accessories (Sold separately)

Item	Model	Safety Standards	Page
Finger Guard	FGB10	*	C-98
Filter	FLB10	—	C-101
Mounting	PAS4B	—	C-105
Duct Joint	FD10	—	C-104

* These products have been designed to pass tests set forth under the UL and CSA standards for equipment used in fans. They conform to the standards only when used in an **ORIX.FAN**.



* A finger guard can be installed in place of the filter.

MBD Series DC Centrifugal Blowers

Impeller Diameter

$\phi 80$ mm



Materials

- Motor Case : Die Cast Aluminum
- Casing : Die Cast Aluminum
- Impeller : Aluminum

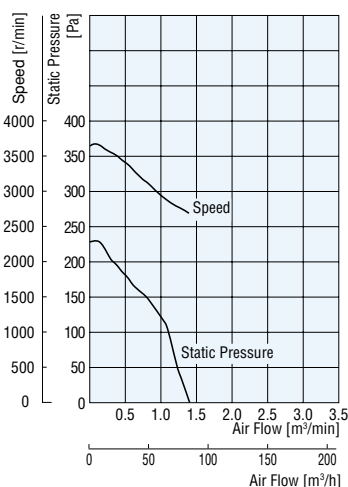
Specifications

Model	Rated Voltage DC V	Rated Current A	Rated Speed r/min	Max. Air Flow m ³ /min (m ³ /h)	Max. Static Pressure Pa	Noise Level dB (A)
MBD8-24	24	0.7	2600	1.45 (87)	196	51

- Values for maximum air flow and maximum static pressure are measured by the double-chamber method.
- Noise level is measured in the A range, at a distance of 1m from the fan intake side
- An overheat protection function is installed.

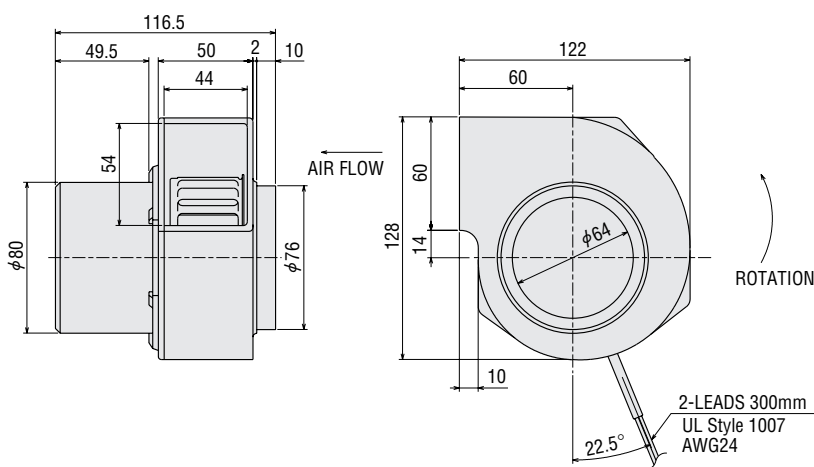
Air Flow –

Static Pressure Characteristics

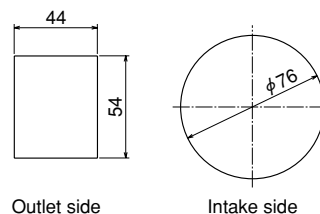


Dimensions (Scale 1/4, Unit = mm)

● Mass : 1.1kg

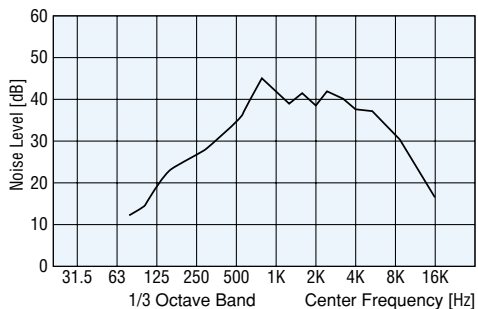


Panel Cut-Out (Scale 1/4, Unit = mm)

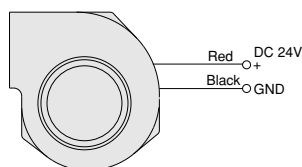


Audible Noise Frequency Analysis

Measure at a distance of 1m from the fan intake side



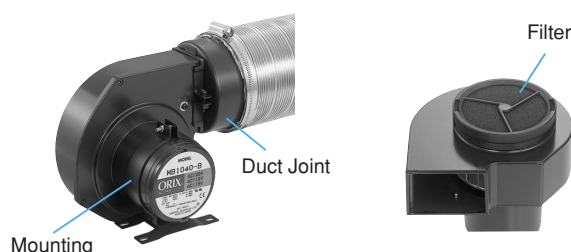
Wiring Diagram



Accessories (Sold separately)

Item	Model	Safety Standards	Page
Finger Guard	FGB8	*	C-98
Filter	FLB8	—	C-101
Mounting	PAS4B	—	C-105
Duct Joint	FD8	—	C-104

* These products have been designed to pass tests set forth under the UL and CSA standards for equipment used in fans. They conform to the standards only when used in an **ORIX.FAN**.



* A finger guard can be installed in place of the filter.

DC Long life MDE

AC MRS

AC MU

DC MDS-MID

Variable Flow

AC MB

DC MID

AC MF

DC MFD

Accessories

Axial Flow Fans

Centrifugal Blowers

Cross Flow Fans