

RoHS RoHS-Compliant

2-Phase Stepping Motor & Driver Package

RBK-Series

Microstep Drive

Planetary gear 42 mm, 60 mm size

New Type



Specifications **RoHS**

Planetary gear 42 mm

Model	Single Shaft	RBK244PA-P5	RBK244PA-P10	RBK244PA-P36
	Double Shaft	RBK244PB-P5	RBK244PB-P10	RBK244PB-P36
Maximum Holding Torque	N·m	1	1.5	3
Rotor Inertia	J:kg·m ²	57×10 ⁻⁷		
Rated current	A/Phase	1.5		
Basic Step Angle		0.36°	0.18°	0.05°
Gear Ratio		1:5	1:10	1:36
Permissible Torque	N·m	1	1.5	3
Backlash	arc minute (degrees)	35 (0.58°)		
Permissible Speed Range		0~360	0~180	0~50
Power Source		DC 20~40 V 1.7 A		
Excitation Mode		Microstep		
Mass	kg	0.48	0.35	0.6
	Motor			
	Driver			

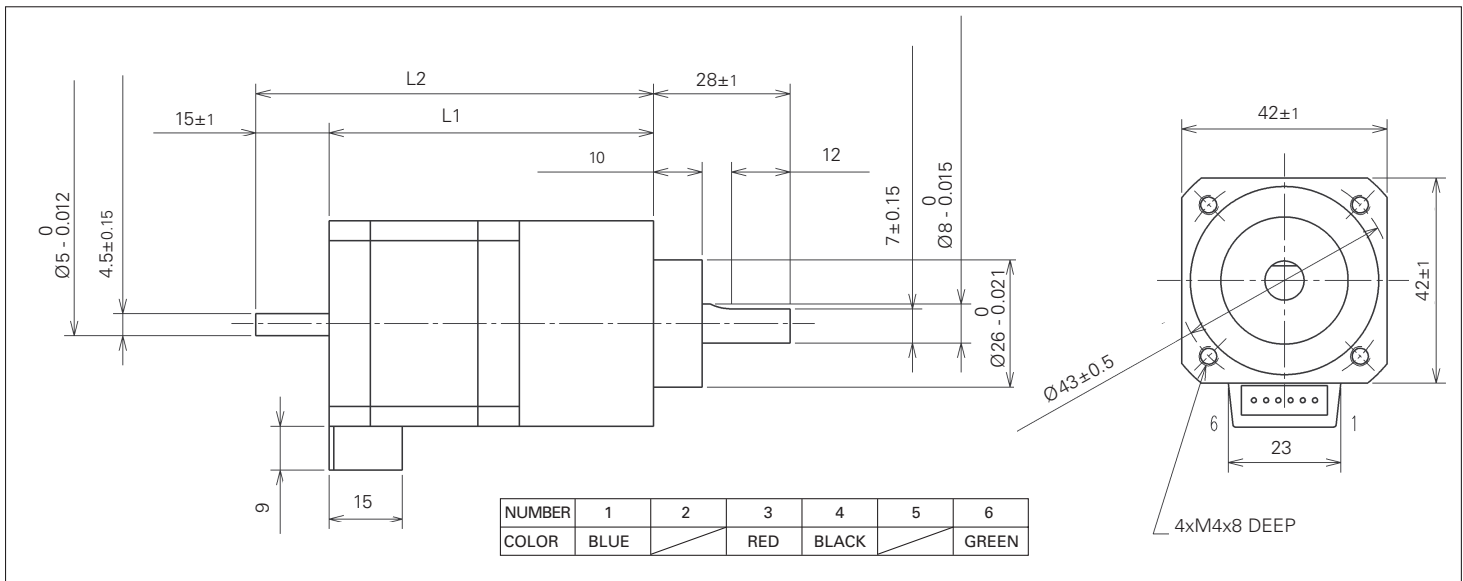
Planetary gear 60 mm

Model	Single Shaft	RBK266PA-P5	RBK266PA-P10	RBK264PA-P36
	Double Shaft	RBK266PB-P5	RBK266PB-P10	RBK264PB-P36
Maximum Holding Torque	N·m	3.5	5	8
Rotor Inertia	J:kg·m ²	290×10 ⁻⁷		120×10 ⁻⁷
Rated Current	A/Phase	2.8		
Basic Step Angle		0.36°	0.18°	0.05°
Gear Ratio		1:5	1:10	1:36
Permissible Torque	N·m	3.5	5	8
Backlash	arc minute (degrees)	20 (0.33°)		
Permissible Speed Range		0~360	0~180	0~50
Power Source		DC 20~40 V 3.7 A		
Excitation Mode		Microstep		
Mass	kg	1.23	0.35	1.26
	Motor			
	Driver			

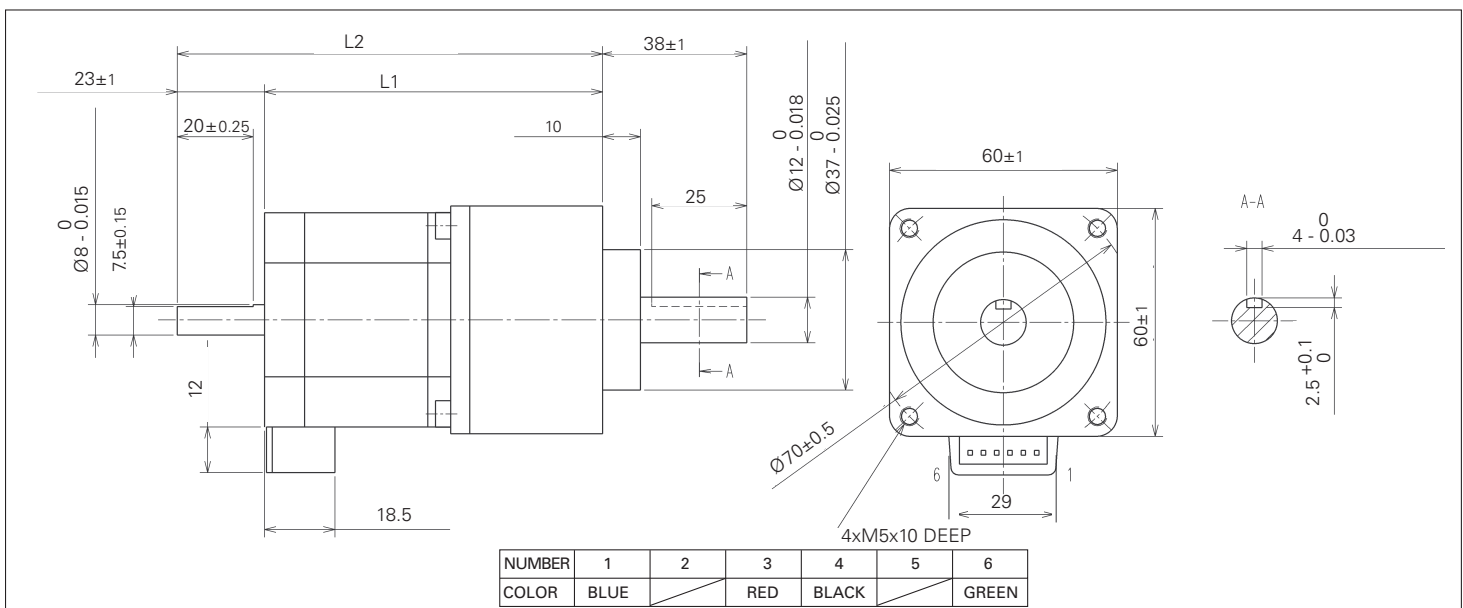
■ Dimensions

Frame Size	Model	Motor	Driver	Connector	L1 (mm)	L2 (mm)
42 mm	RBK244PA-P5	PK244PDA-P5	RBD215A-K	LC2B06B	66.5	—
	RBK244PB-P5	PK244PDB-P5				81.5
	RBK244PA-P10	PK244PDA-P10				—
	RBK244PB-P10	PK244PDB-P10				81.5
	RBK244PA-P36	PK244PDA-P36				—
	RBK244PB-P36	PK244PDB-P36				105
60 mm	RBK266PA-P5	PK266PDA-P5	RBD228A-K	LC2B06C	89	—
	RBK266PB-P5	PK266PDB-P5				112
	RBK266PA-P10	PK266PDA-P10				—
	RBK266PB-P10	PK266PDB-P10				112
	RBK264PA-P36	PK264PDA-P36				—
	RBK264PB-P36	PK264PDB-P36				122

Planetary gear 42 mm



Planetary gear 60 mm



Orientalmotor

These products are manufactured at plants certified with the international standards ISO 9001 (for quality assurance) and ISO 14001 (for systems of environmental management).

Specifications are subject to change without notice.
Published in December 2008.

ORIENTAL MOTOR (EUROPA) GmbH

www.orientalmotor.de

ORIENTAL MOTOR (FRANCE) SARL

www.orientalmotor.fr

ORIENTAL MOTOR (UK) LTD.

www.oriental-motor.co.uk

ORIENTAL MOTOR ITALIA s.r.l.

www.orientalmotor.it

ORIENTAL MOTOR CO., LTD.

www.orientalmotor.co.jp

Customer Center (Support in German & English) 00800-22 55 66 22 tech@orientalmotor.de

AUDIN - 8, avenue de la malle - 51370 Saint Brice Courcelles - Tel : 03.26.04.20.21 - Fax : 03.26.04.28.20 - Web : http: www.audin.fr - Email : info@audin.fr

Printed in Germany