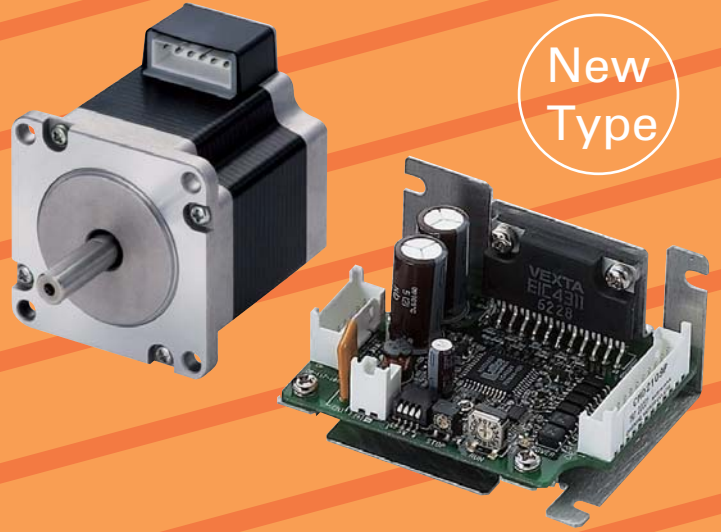


High-Torque Type CMK-Series

Motor frame size 56.4 mm

New
Type



Specifications (RoHS)

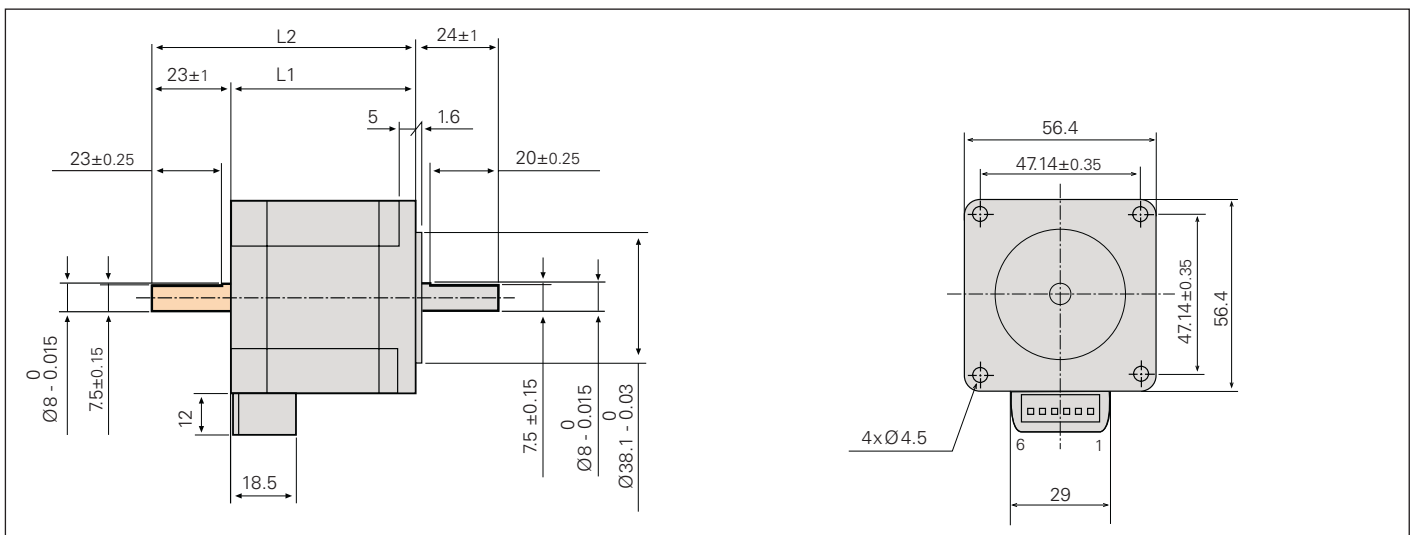
Model	Single Shaft	CMK264PAP	CMK266PAP	CMK268PAP
	Double Shaft	CMK264PBP	CMK266PBP	CMK268PBP
Maximum Holding Torque	N·m	0.46	0.99	1.73
Rotor Inertia	J:kg·m ²	120×10 ⁻⁷	290×10 ⁻⁷	490×10 ⁻⁷
Rated Current	A/phase	2		
Basic Step Angle		1.8°		
Power Source		24 VDC ± 10 % 2.9 A		
Excitation Mode		Microstep		
Mass	Motor	0.46	0.73	1.1
	Driver	0.05		

Motor

- High-Torque Type
- 56.4 mm

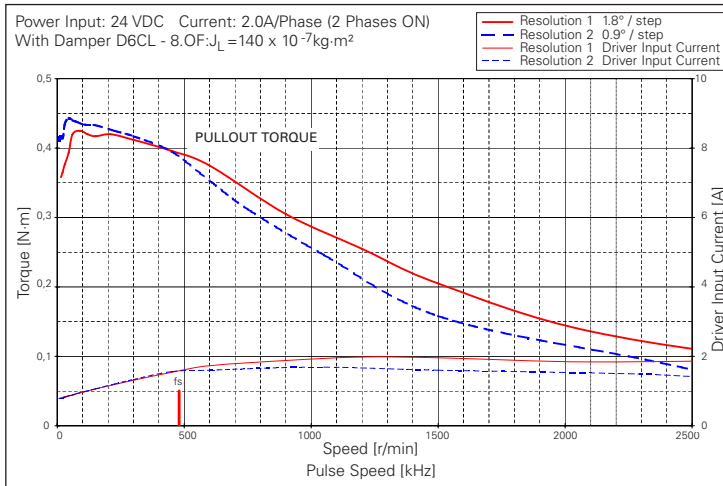
Model	Motor Model	Driver	L1	L2	Motor Cable
CMK264PAP	PK264PA	CMD 2120P	39	—	LC2U06C
CMK264PBP	PK264PB			62	
CMK266PAP	PK266PA		54	—	
CMK266PBP	PK266PB			77	
CMK268PAP	PK268PA		76	—	
CMK268PBP	PK268PB			99	

Dimensions

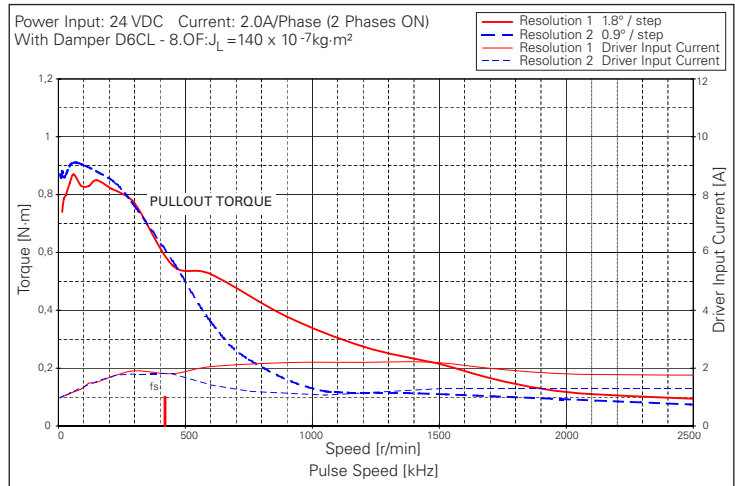


Characteristics

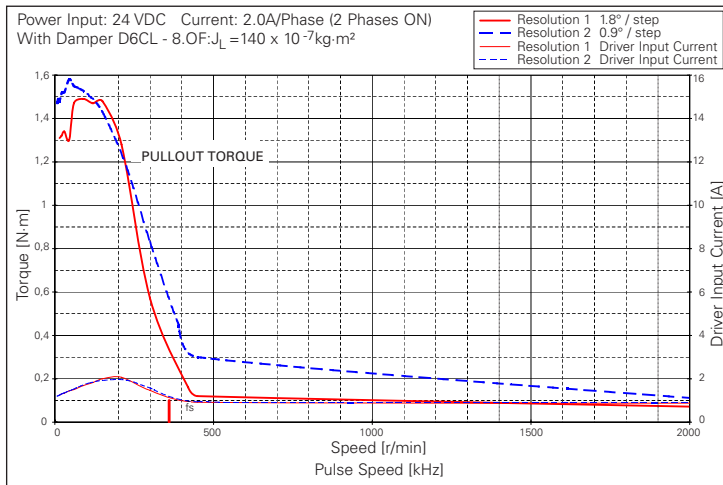
CMK264PAP CMK264PBP



CMK266PAP CMK266PBP



CMK268PAP CMK268PBP



These products are manufactured at plants certified with the international standards **ISO 9001** (for quality assurance) and **ISO 14001** (for systems of environmental management).

Specifications are subject to change without notice.
Published in November 2008.

Orientalmotor

ORIENTAL MOTOR (EUROPA) GmbH

www.orientalmotor.de

European Headquarters and Düsseldorf Office
Schiessstraße 74
40549 Düsseldorf, Germany
Tel: 0211-5206700 Fax: 0211-52067099

ORIENTAL MOTOR (UK) LTD.

www.oriental-motor.co.uk

Unit 5, Faraday Office Park,
Rankine Road, Basingstoke,
Hampshire RG24 8AH, U.K.
Tel: 01256-347090 Fax: 01256-347099

ORIENTAL MOTOR ITALIA s.r.l.

www.orientalmotor.it

Italy Headquarters
Via A. De Gasperi, 85
20017 Mazzo di Rho (MI), Italy
Tel: 02-93906346 Fax: 02-93906348

ORIENTAL MOTOR (FRANCE) SARL

www.orientalmotor.fr

France Headquarters
32, Avenue de l'île Saint-Martin
92737 Nanterre Cedex, France
Tel: 01 47 86 97 50 Fax: 01 47 82 45 16

ORIENTAL MOTOR CO., LTD.

www.orientalmotor.co.jp

Headquarters
16-17, Ueno 6-chome
Taito-ku, Tokyo 110-8536, Japan
Tel: (03)3835-0684 Fax: (03)3835-1890

Customer Center (Support in German & English)

00800-22 55 66 22*
CA LL OM CC

tech@orientalmotor.de

Mon-Thu: 08:00 - 17:30 CET Friday: 08:00 - 16:00 CET

* Free Call Europe

For more information please contact: