

# DeviceNet Smart Slaves

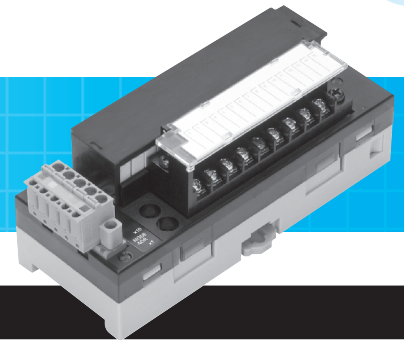
## Relay Output

## Remote I/O Terminal

### DRT2-ROS16

Smart Slaves with remote maintenance functions now include Relay Output Terminals.

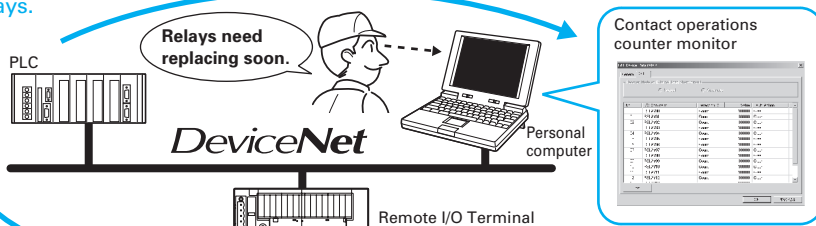
DeviceNet



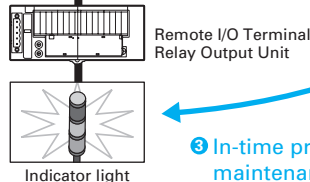
The best for preventive maintenance.

### Smart Slave Functions

2 Easy-to-read Configurator displays.



1 The slave monitors the number of times a relay has switched and signals the PLC when a set maximum is reached.



3 In-time preventive maintenance

### Functions

Contact operations counter	<input type="checkbox"/>
Unit ON time monitor function	<input type="checkbox"/>
Total ON time monitor function	<input type="checkbox"/>
Slave comment/connected device comment function	<input type="checkbox"/>
Network power supply voltage monitor	<input type="checkbox"/>
Addition of Expansion I/O Units	<input type="checkbox"/>
Communications error log	<input type="checkbox"/>
Shared I/O and communications power supply	<input type="checkbox"/>
Baud rate auto-detection	<input type="checkbox"/>

Note: Refer to the DRT2 Series DeviceNet Slaves Operation Manual (Cat. No. 404) for details on each function. The operation time monitor function is supported when used together with an Input Expansion Unit.

Compatible with large-capacity output devices.

### Maintenance capabilities enhanced by replaceable relays.

Slim power relays (5 mm width)

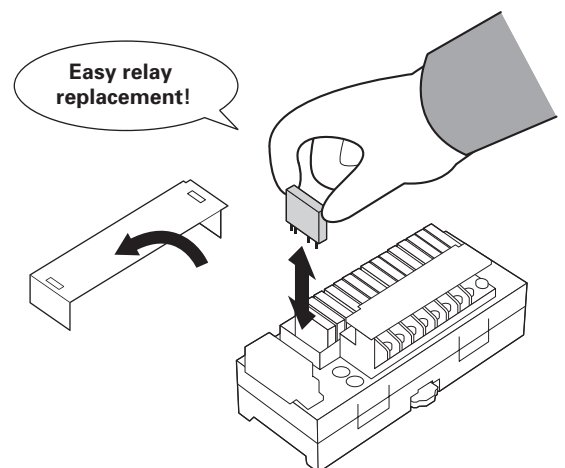
#### Life of Mounted Relays

Item	Life
Mechanical life	20 million operations min.
Electrical life	100,000 operations min.

#### Output Section Specifications (per Relay Contact)

Item	Specification
Mounted relay	NY-5W-L-IE (5 VDC)
Rated load	Resistive load; 2 A at 250 VAC, 8 A per common; 2 A at 30 VDC, 8 A per common
Rated carry current	3 A (See note.)
Max. contact voltage	250 VAC, 125 VDC
Max. contact current	3 A
Max. switching capacity	750 VAC, 90 VDC
Min. applicable load (reference value)	5 VDC, 1 mA

Note: The rated carrying current is 3 A maximum per contact with 10 A per common. But then there may not be more than 4 contacts per common switch ON. The ambient temperature must be below 45°C.



**Innovation**  
**in the Solution Age**

OMRON INDUSTRIAL AUTOMATION



# Expansion Systems

## Addition of Expansion Units

**XWT-series Expansion I/O Units are easily added. This allows free expansion of contacts.**

Separate wiring of I/O power supply to Expansion I/O Units is required. Note: Refer to the manual for details on the XWT Series.

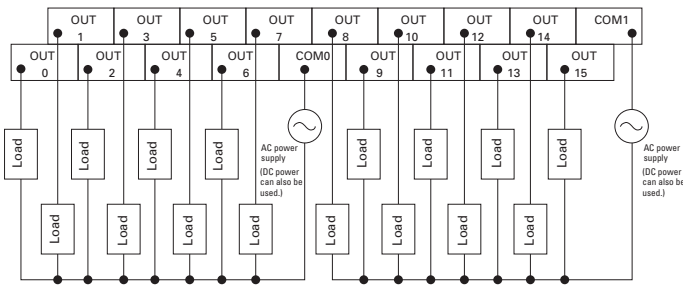
### Common Specifications

Item	Specification
Communications power supply voltage	11 to 25 VDC (Supplied from the communications connector.)
Communications power current consumption	395 mA
Noise immunity	Conforms to IEC61000-4-4, 2 kV (power line)
Vibration resistance	10 to 55 Hz, 0.7-mm double amplitude
Shock resistance	100 m/s <sup>2</sup>
Dielectric strength	500 VAC (between isolated circuits)
Insulation resistance	20 MΩ min.
Ambient operating temperature	-10 to 55°C
Ambient humidity	Operating: 25% to 85% (with no condensation)
Ambient environment	Must be free from corrosive gases.
Ambient storage temperature	-25 to 65°C
Mounting method	35-mm DIN Track mounting
Screw tightening torque	M2 (screws to secure communications connector): 0.26 to 0.3 N•m M3 (screw terminals): 0.3 to 0.5 N•m
Weight	260 g max.

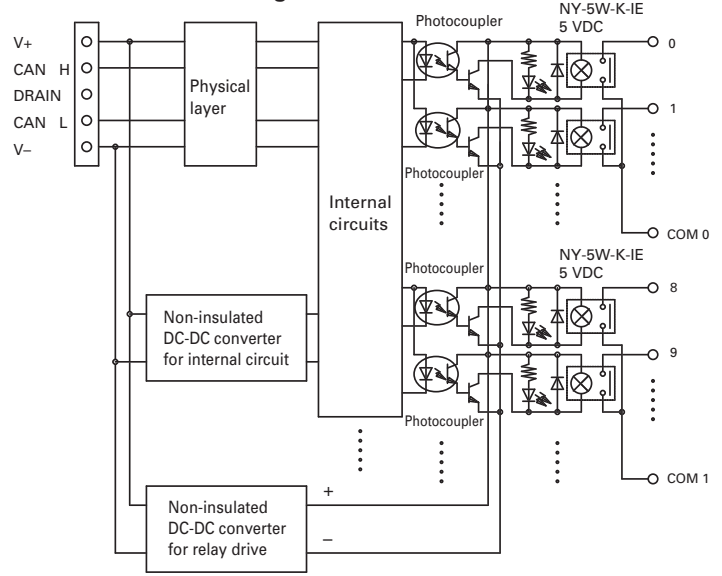
### Standard Models

Model number
DRT2-ROS16

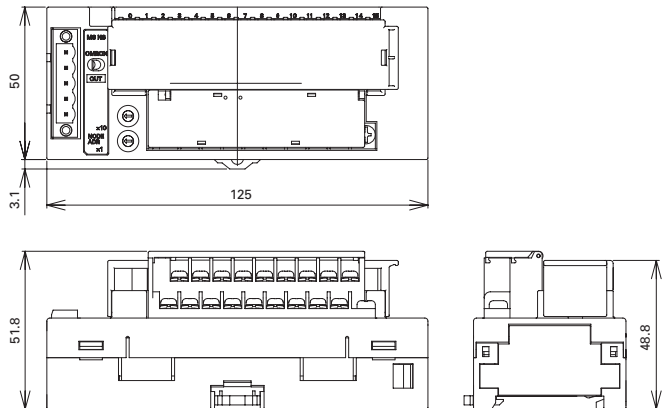
### Wiring



### Internal Circuit Diagram



### Dimensions



**Note: Do not use this document to operate the Unit.**

#### OMRON Corporation

FA Systems Division H.Q.  
66 Matsumoto  
Mishima-city, Shizuoka 411-8511  
Japan  
Tel: (81)55-977-9181  
Fax: (81)55-977-9045

#### Regional Headquarters

**OMRON EUROPE B.V.**  
Wegalaan 67-69, NL-2132 JD Hoofddorp  
The Netherlands  
Tel: (31)2356-81-300/Fax: (31)2356-81-388

**OMRON ELECTRONICS LLC**  
1 East Commerce Drive, Schaumburg, IL 60173  
U.S.A.  
Tel: (1)847-843-7900/Fax: (1)847-843-8568

**OMRON ASIA PACIFIC PTE. LTD.**  
83 Clemenceau Avenue,  
#11-01, UE Square,  
Singapore 239920  
Tel: (65)6835-3011/Fax: (65)6835-2711

#### Authorized Distributor:

Note: Specifications subject to change without notice.

Cat. No. R109-E1-01  
Printed in Japan  
0603-1M