

Incremental Rotary Encoder OD 55 dia.

# E6D-C

*High-Resolution Optical Incremental Encoder Ideal for Industrial Applications*

- Resolution as high as 6,000 pulses/revolution in a rugged 55 mm (2.17 inch) diameter housing
- High-speed response frequency of 200 kHz
- Wide range of operating temperature from -10 to +70°C
- Shaft withstands the load of radial 49N and thrust 29.4N



## Ordering Informaton

### Sensors

Power supply voltage	Output form	Resolution (pulse/rotation)	Model
5 VDC	Voltage output	1,000	E6D-CWZ1E
		2,000	
		3,600	E6D-CWZ1E
		5,000	
12 VDC	Open collector output	1,000	E6D-CWZ2C
		2,000	
		3,600	E6D-CWZ2C
		5,000	
		6,000	

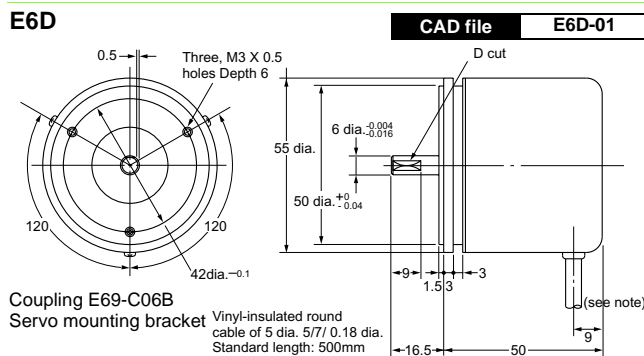
Note: 1. Each type is prepared in addition to the following; Resolution (pulse per rotation): 720, 800, 1,024, 1,200, 1,500, 1,800, 2,048, 2,500, 3,000, 3,200, and 4,096 (voltage output and open collector output)  
 Note: 2. When ordering, add the resolution (pulses per revolution) between the part number.

### Accessories (Order Separately)

Item	Model	Remarks
Coupling	E69-C06B	Supplied with the product.
	E69-C68B	Different end diameter
	E69-C610B	Different end diameter
	E69-C06M	Metal construction
Mounting Bracket	E69-2	Supplied with the product.

## Dimensions (Unit: mm)

### Sensors



### Accessories (Order Separately)