

MICO+ 4.6 Electronic auxiliary circuit, 4 channels IN: 24VDC OUT: 24V/1-2-4-6ADC

MICO+ 4.6
4 channels
Current adjustment 1, 2, 4, 6 A

Image

- Fire protection (EN 60950-1)
- Operating voltage protection (EN 61131-2)
- Operating condition capacity (EN 61131-1)

Vicarious picture

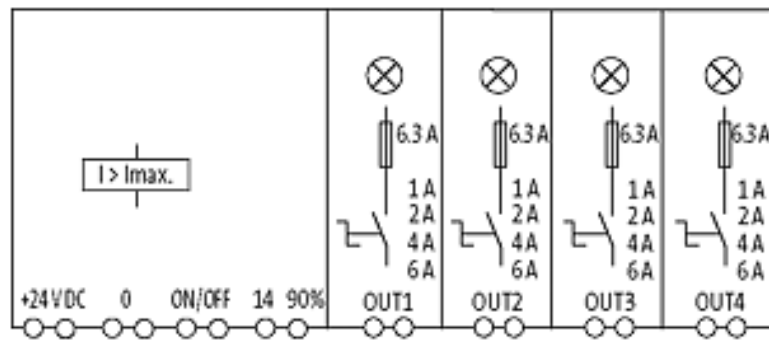
Technical Data

Operating voltage	24 V DC
Operating voltage range	18...30 V DC
Number of channels	4 channels
Current adjustment	1 A, 2 A, 4 A, 6 A, by countersunk rotary switch, sealed
Inrush capacity	max. 20 mF (per channel)
Group alarm output	max. 20 mA; high: all channels ON; low: not all channels ON
Remote restart (ON)	10...30 V DC
Remote restart (OFF)	10...30 V DC
Early warning (90%)	max. 20 mA; high: one channel over 90%; low: all channels under 90%
Impulse length	min. 20 ms

General data

Connection	Spring clamp terminals
Input terminals	2 × 16 mm ²
Output terminals	per output 2 × 1.5 mm ²
Alarm terminals	2.5 mm ²
Bridging concept	two sides, with spring clamp terminals or bridge set (max. 40 A)
Temperature range	0...+55 °C (storage temperature -40...+80 °C)
Mounting method	DIN-rail mountable TH35 (EN 60715)

Circuit diagram



Dimension drawing

