

MSDD pass-through USB f.A/0.6m cable

USB (form A)

1 x USB (female/female) form A, 0.6 m cable

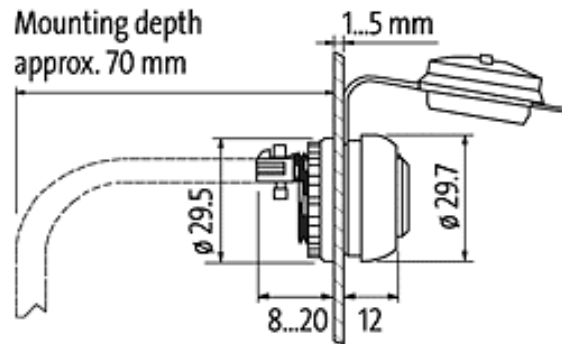
Image**Technical Data**

Nominal voltage	30 V AC/DC
Nominal current	500 mA
Wire diameter	2 x 0.22 mm ² /AWG 24; 2 x 0.08 mm ² /AWG 28
Specification	USB: 2.0/type 2dB (max. 480 Mbit/s)
Mounting depth mounted	approx. 70 mm

General data

Shielded	yes
Protection	IP65
Dimensions Ø x D	29.5 x 29 mm
Cut-out	Ø 22.5 mm

Dimension drawing



Control cabinet cut-out

