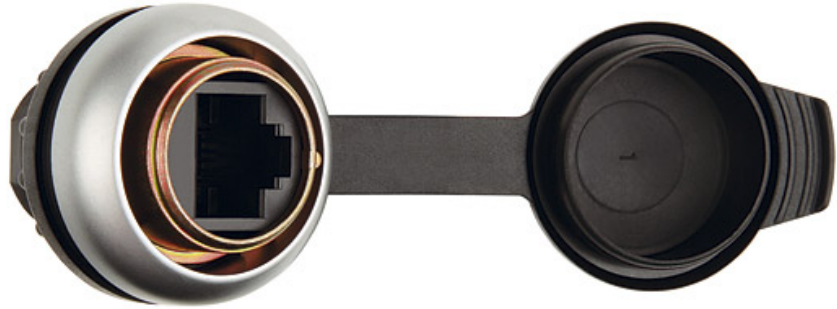


MSDD pass-through RJ45 fem/fem

RJ45
1 x RJ45, 8-pole metal, CAT5e (female/female)

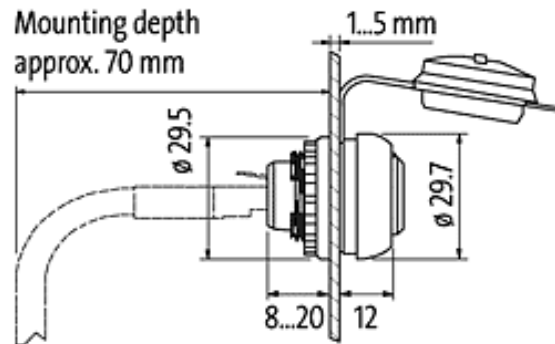
Image**Technical Data**

Nominal voltage	24 V AC
Nominal current	1.5 A
Specification	SUB-D: (DIN 41652/IEC807); RJ45: CAT5e (100 MHz or Mbit/s); USB: 2.0/Type 2dB (max. 480 Mbit/s)
Mounting depth mounted	approx. 19 mm

General data

Shielded	yes
Protection	IP65
Dimensions Ø x D	29.5 x 29 mm
Cut-out	Ø 22.5 mm

Dimension drawing



Control cabinet cut-out

