

# SQUARE INDUCTIVE SENSORS



**8X8**

10÷30 V DC - 3 WIRES NPN OR PNP OUTPUT

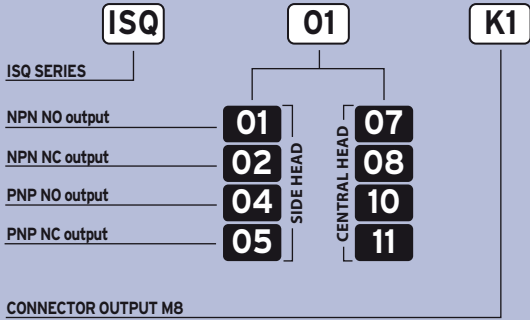
- Range, 1,5mm - shielded
- Cable or M8 quick connect models
- 200mA NPN or PNP
- Operation LED

ISQ Series

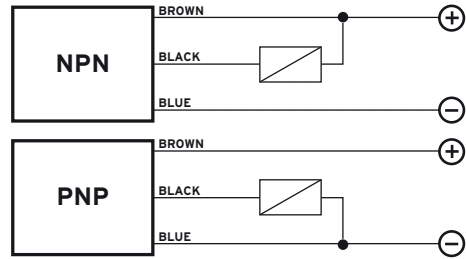


INDUCTIVE

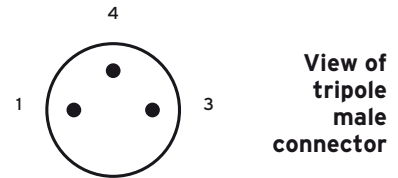
## IDENTIFICATION CODE



## WIRING DIAGRAMS



## CONNECTION WITH CONNECTOR M8 (K1)



### CONTACTS CONFIGURATION

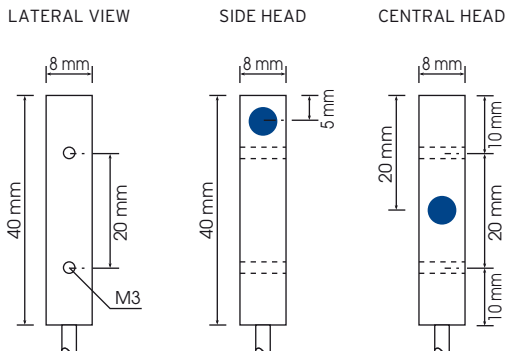
Available	Contacts numbers		
	1	3	4
(NO or NC)	+	-	NO/NC

### SHIELDED

NOMINAL SWITCHING DISTANCE (S <sub>n</sub> )	1,5 mm
NOMINAL VOLTAGE	10 ÷ 30 VDC (-15 / +10%)
RESIDUAL RIPPLE	≤ 10%
HYSTERESIS	< 10%
MAX. OUTPUT CURRENT	200 mA
RESIDUAL CURRENT	< 10 mA
VOLTAGE DROP (Sensor ON)	< 1.2 V (I = 100 mA)
OPERATION LED	Yellow
SWITCHING FREQUENCY	500 Hz
START UP DELAY	≤ 75 ms
REPEATABILITY	≤ 3%
SHORT CIRCUIT PROTECTION	Present (self-resetting)
ELECTRIC PROTECTIONS	Against polarity reversal - inductive loads
TEMPERATURE LIMITS	- 25 ÷ +70 °C
PROTECTION DEGREE	IP 67
CABLE LENGTH	2 m
CABLE SECTION	3 x 0,14 mm <sup>2</sup>
HOUSING MATERIAL	Nickel-plated brass
WEIGHT - Cable output -	80 g
WEIGHT - K1 connector output -	40 g

## DIMENSIONS (mm)

### CONFIGURATION WITH CABLE



### CONNECTOR K1

