

# AMPLIFIED INDUCTIVE SENSORS



Ø 5

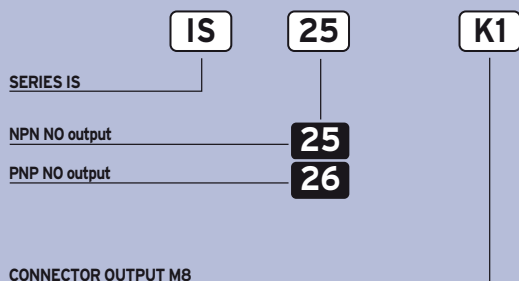
10÷30 V DC - 3 WIRES NPN OR PNP OUTPUT

- Range, 0,8mm - shielded
- NO output
- Cable or M8 quick connect models

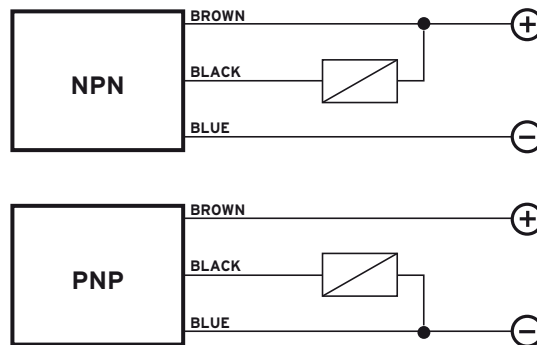
IS Series



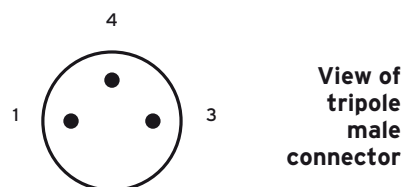
## IDENTIFICATION CODE



## WIRING DIAGRAMS



## CONNECTION WITH CONNECTOR M8 (K1)



## CONTACTS CONFIGURATION

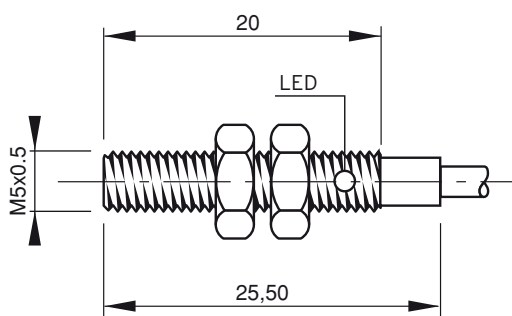
Available	Contacts numbers		
	1 BROWN	3 BLUE	4 BLACK
NPN/PNP	+	-	NO/NC

## SHIELDED

NOMINAL SWITCHING DISTANCE (Sn)	0,8 mm
NOMINAL VOLTAGE	10 ÷ 30 VDC (-15 / +10%)
RESIDUAL RIPPLE	≤ 10%
HYSTERESIS	< 10%
MAX. OUTPUT CURRENT	100 mA
RESIDUAL CURRENT	≤ 10 mA
VOLTAGE DROP (Sensor ON)	< 1 V (I = 100 mA)
OPERATION LED	Present
SWITCHING FREQUENCY	2000 Hz
START UP DELAY	≤ 50 ms
REPEATABILITY	≤ 1%
SHORT CIRCUIT PROTECTION	Present (self-resetting)
ELECTRIC PROTECTIONS	Against polarity reversal - inductive loads
TEMPERATURE LIMITS	- 25 ÷ +60 °C
PROTECTION DEGREE	IP 67
CABLE LENGTH	2 m
CABLE SECTION	3 x 0.14 mm <sup>2</sup>
HOUSING MATERIAL	Stainless-steel
WEIGHT - Cable output -	50 g
WEIGHT - K connector output -	40 g

## DIMENSIONS (mm)

CONFIGURATION WITH CABLE



CONFIGURATION WITH CONNECTOR K1

